



Industrial  
Commercial  
Floodlighting  
Wall Mount  
Outdoor Area / Site  
Motion Activated  
Worklights

# Indoor/Outdoor Product Catalog

**COOPER** Lighting





# COOPER LIGHTING **LUMARK**

LUMARK combines craftsmanship and affordability in its full line of commercial and industrial high intensity discharge (HID) and compact fluorescent lighting products.



HID lighting applications often involve tasks, environments and surfaces of varying and demanding degrees.

LUMARK has the experience and product line to properly illuminate such complex applications; providing superior lighting for supermarkets, factories, warehouses and other industrial and commercial applications.



From industrial products to flood, motion activated, worklights and area lighting, Lumark answers difficult illumination problems with a wide range of quality products and superior technical support.



## Federal Energy Independence & Security Act (EISA) Benefits of Pulse Start Metal Halide

The Federal Energy Independence & Security Act (EISA) signed into law in late 2007 states that all 150W – 500W metal halide lamp luminaires manufactured on or after January 1, 2009, must meet the following ballast efficiency ratings:

- 88% for magnetic or electronic pulse start ballasts
- 94% for magnetic probe-start ballasts
- 90% for electronic non-pulse start ballasts of 250W or less
- 92% for electronic non-pulse start ballasts greater than 250W

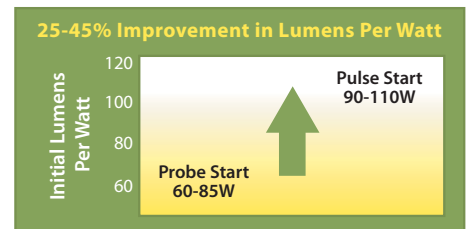


ENERGY INDEPENDENCE  
& SECURITY ACT (EISA)

In addition to improved operating efficiency, there are several benefits to pulse start metal halide technology including:

### More Lumens Per Watt:

Pulse start metal halide systems improve lamp efficacy (lumens per watt) by up to 45%, resulting in more useable light per watt consumed.



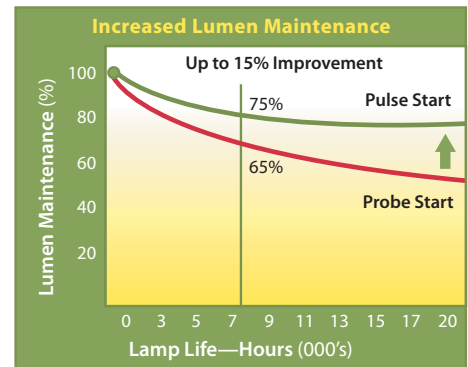
### Longer Life:

Pulse start lamps offer substantially higher life ratings—up to 20,000-30,000 hours, or an improvement of up to 50%.

Probe vs. Pulse Start Metal Halide Benefits		
Features	Probe MH	Pulse MH
Color	White	Brighter White
Efficacy (Lumens per Watt)	60-85	90-110
Lumen Maintenance	65%	70-75%
Lamp Wattages	175-1000	35-1000
Lamp Life (kHrs)	6-16	6-30

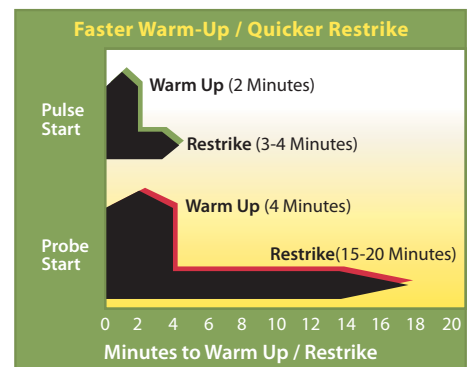
### Better Lumen Maintenance:

With a lumen maintenance rating of up to 75%, pulse start lamps reduce light loss over life by up to 15% when compared to probe start metal halide lamps. Fewer watts per square foot are required to illuminate an area as a result of consistently higher light levels throughout lamp life.



### Faster Warm-Up / Quicker Restrike:

Warm up time is cut in half to 2 minutes for pulse start systems versus 15-20 minutes for probe start metal halide. Restrike times after an outage are reduced to 3 to 4 minutes for pulse start lamps.



# COOPER LIGHTING - LUMARK

## INDUSTRIAL | DECORATIVE HIGH-BAYS



All Avid Mini  
p.5



AIS Avid Small  
p.6



AIM Avid Medium  
p.7



AIL Avid Large  
p.8



SS 15", 18" & 23"  
Steeler  
p.9



HB High-Bay  
Benchmark  
p.10



SE 18" & 23"  
E&G Steeler  
p.11



EB 18" & 23"  
E&G Benchmark  
p.12



UB Benchmark Uplight  
p.13



SS Econoliter  
p.14



SS VertX  
p.15



HB VertX  
p.16



SE E&G VertX  
p.17



EB E&G VertX  
p.18

## | ALUMINUM + ACRYLIC LOW-BAYS



EP Enterprise 22 & 28  
p.19



RB Low-Bay  
Benchmark  
p.20



VF Vertimark  
p.21



BE Vertimark II  
p.22



SG 16" & 21" Prismatic  
Glass High-Bay  
p.23



GB 16" & 21" Prismatic  
Glass Benchmark  
p.24



SE 16" & 21" E&G  
Glass Steeler  
p.25

## | PRISMATIC ACRYLIC HIGH-BAYS, LOW-BAYS + COMPACT FLUORESCENT



EB 16" & 21" E&G  
Glass Benchmark  
p.26



SS 16", 22" & 25"  
Prismatic High-Bay  
p.27



HB 16", 22" & 25"  
Prismatic Benchmark  
p.28



SE 22" E&G Prismatic  
Acrylic Steeler  
p.29



EB 22" E&G Prismatic  
Acrylic Benchmark  
p.30



SS 22" Enhanced  
Refractor High-Bay  
Steeler  
p.31



HB 22" Enhanced  
Refractor High-Bay  
Benchmark  
p.32

## | VAPORTIGHTS



LX 22" & 25" Prismatic  
Direct-Mount Steeler  
p.33



XB 22" & 25" Prismatic  
Direct-Mount  
Benchmark  
p.34



DP Axio Series  
[Compact Fluorescent]  
p.35



IC Vaportight  
p.36



VS Vaportight Small  
p.37



VL Vaportight Large  
p.38

## | INDUSTRIAL CONTROLS



CML LumaWatt  
Industrial HID  
Dimming System  
p.39



IRMD LumaWatt  
Industrial HID  
Dimming System  
Motion Detector  
p.40



IRMS LumaWatt  
Individual Fixture  
Control Option  
p.41



OPTIONS +  
ACCESSORIES  
• Descriptions  
• Option Capability Matrix  
p.42-46

## | OPTIONS + ACCESSORIES

# COOPER LIGHTING - LUMARK

## | COMMERCIAL



**QC Quadra-Mark**  
p.47



**QP Quadra-Lume**  
p.48



**QF Quadra-Lume**  
p.49



**QD Quadra-Lume**  
p.50



**CL/CS Canopy**  
p.51



**PR Parker**  
p.52



**PD Park-King**  
p.53

## | FLOODLIGHTING



**QZ Wedge**  
p.54



**LQL1500  
Quartz Flood**  
p.54



**SF Falcon**  
p.55



**XF Falcon**  
p.56



**MS Impact Flood  
Small**  
p.57



**MM Impact Flood  
Medium**  
p.58



**WR Warrior**  
p.59



**NK Nighthawk III**  
p.60



**LP Low-Profile  
Floodlight**  
p.61



**XL Eagle**  
p.62



**AS AllStar**  
p.63



**OPTIONS +  
ACCESSORIES**  
p.64-65

# COOPER LIGHTING - LUMARK

## | WALL MOUNT



**IP Impact Wedge**  
p.66



**IP / IPTM Impact Trapezoid**  
p.67-68



**IP / IPCM Impact Cylinder**  
p.69-70



**IP Impact Quarter Sphere**  
p.71



**WL Wal-Pak**  
p.72



**MN MON-2**  
p.73



**M4 MON-4**  
p.74



**WM Wal-Lite**  
p.75



**WM Wal-Lite Glass**  
p.76



**WP Wal-Eye**  
p.77



**GP Glass-Pak**  
p.78



**GS Super Smokey**  
p.79



**VR Smokey**  
p.80



**MP Micro-Pak**  
p.81



**Wally Cutoff**  
p.82



**Wally**  
p.82



**Z-Pak Cutoff**  
p.83



**Z-Pak**  
p.83



**OPTIONS + ACCESSORIES**  
p.84

## | OUTDOOR AREA / SITE



**Eternalume Area Light**  
p.85



**TR Tribute**  
p.86



**PFT Tribute and Pole Combo**  
p.87-88



**RY Roadway Cobrahead**  
p.89



**RS Roadway Small Cobrahead**  
p.90



**RL Roadway Large Cutoff Cobrahead**  
p.91



**RC Roadway Small Cutoff Cobrahead**  
p.92



**MC High Mast Industrial Area Luminaire**  
p.93



**MX High Mast Industrial Area Luminaire**  
p.94

## | MOTION ACTIVATED



**MS35 / MS37**  
p.95



**MS245R / MS245RW**  
p.95



**MS240**  
p.95

## | WORKLIGHTS



**SS Steeler Worklight**  
p.96



**SSD/DD/IR Docklight**  
p.97

## | PROBE-PULSE START METAL HALIDE LAMP CROSS REFERENCE 98-110

## | NUMERICAL INDEX 111-113

# COOPER LIGHTING - LUMARK



## All AVID MINI

**20-39W**  
Pulse Start Metal Halide

**7-13W**  
Compact Fluorescent

**25W**  
Incandescent

### DECORATIVE HIGH-BAY LUMINAIRE

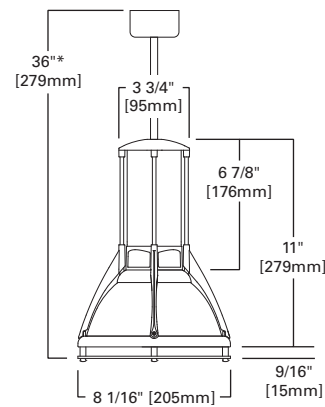
- Cast aluminum top can be specified for pendant or suspension mounting
- Pendant mounting comes with 3/8" pipe with internal locking screw
- Suspension mounting has two (2) stainless steel suspension cables with quick adjustment enabling the luminaire to be quickly leveled
- Integral ballast housing consists of heat dissipating aluminum finned construction
- Cast aluminum midsection is designed to dissipate the heat energy away from the lamp compartment separating the optical cavity from the integral ballast housing assuring a cool operation
- Optical construction is designed to remain flexible providing multiple distributions and optical types
- Approximate net weight: 8 lbs. (3.6 kgs.)

### DESCRIPTION

AVID Series delivers a scalable aesthetically pleasing family of luminaires that combines the needs of lighting designers, architects, and building owners of architectural form providing great lighting performance in interior spaces. This rugged luminaire design considers multiple mounting configurations integrating a vast array of lamp sources and ballast technologies allowing specifications to combine one style for many interior application needs.

### DIMENSIONS

#### INTEGRAL MOUNT



**NOTE:** \*See accessories for ordering information for pendant kit. Pendant kit dimension based on distance from mounting plane to the bottom of the fixture.

### ORDERING INFORMATION

**SAMPLE NUMBER:** All-39-MH-120-G7-N-I-SC-GM

<b>Product Family</b> All=Avid Series Mini <sup>1</sup>	<b>Voltage</b> 120=120V X=Incandescent	<b>Distribution</b> <sup>4</sup> N=Narrow W=Wide X=Fixed Position <sup>5</sup>	<b>Mounting Options</b> <b>Pendant</b> <sup>6</sup> P=Pendant Mount <sup>7</sup> <b>Cable</b> SC=Cable Mount w/ Straight Power Cord (Standard Length 120") <sup>8</sup> CC=Cable Mount w/ Coiled Power Cord (Standard Length 4'-10") <sup>8</sup>	<b>Finish</b> BK=Black AP=Grey BZ=Bronze WH=White DP=Dark Platinum GM=Graphite Metallic	<b>Options</b> F1=Single Fuse LL=Lamp Included FGS=Frosted Glass Lens CGL=Clear Glass Lens DFR=Decorative Frosted Ring	<b>Accessories</b> All-I-PXX-XX=Mini Pendant Kit for Integral Ballast Housing <sup>9</sup>
<b>Lamp Wattage</b> HID <sup>2</sup> 20=20WT4.5 G8.5 39=20WT4.5 G8.5 Compact Fluorescent 7=7W 13=13W Incandescent 25=25	<b>Optical System</b> Borosilicate Glass G7=7" Glass Refractor SG7=7" Shroud w/Glass Refractor Aluminum A7=7" Performance Reflector <sup>3</sup> S7=7" Shroud	<b>Ballast Housing</b> I=Integral				
<b>Lamp Type</b> MP=Pulse Start Metal Halide CF=Compact Fluorescent IN=Incandescent						

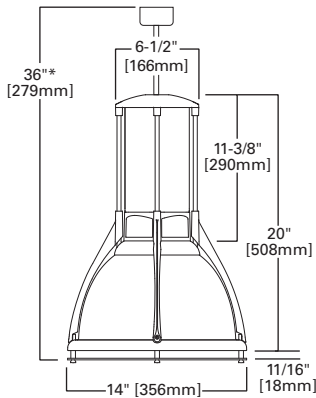
**NOTES:** 1 Avid Series Mini "All" is 120V only. 2 Must specify FGS or CGL. 3 Shroud comes standard with Performance Reflector. 4 Mini available only in Narrow and Wide distributions. 5 Specify X for lamp type CF. 6 Pendant dimensions refer to the distance from the mounting plane to the bottom of the fixture. 7 Must order pendant kit separately, see accessories for ordering information. 8 Specify W for white cord, example: SCW. 9 Specify distance from mounting plane to the bottom of the fixture and finish. (Example: All-I-P24-GM). 10 Specifications and dimensions subject to change without notice.

Lamp Type	Wattage
Pulse Start Metal Halide (MP)	20, 39W
Compact Fluorescent (CF)	7, 13W
Incandescent (IN)	25W



## DIMENSIONS

### INTEGRAL MOUNT



**NOTE:** \*See accessories for ordering information for pendant kit. Pendant kit dimension based on distance from mounting plane to the bottom of the fixture.

## DESCRIPTION

AVID Series delivers a scalable aesthetically pleasing family of luminaires that combines the needs of lighting designers, architects, and building owners of architectural form providing great lighting performance in interior spaces. This rugged luminaire design considers multiple mounting configurations integrating a vast array of lamp sources and ballast technologies allowing specifications to combine one style for many interior application needs.



## AIS AVID SMALL

**39-100W**

Pulse Start Metal Halide

**26-84W**

Compact Fluorescent

**250W**

Quartz Halogen

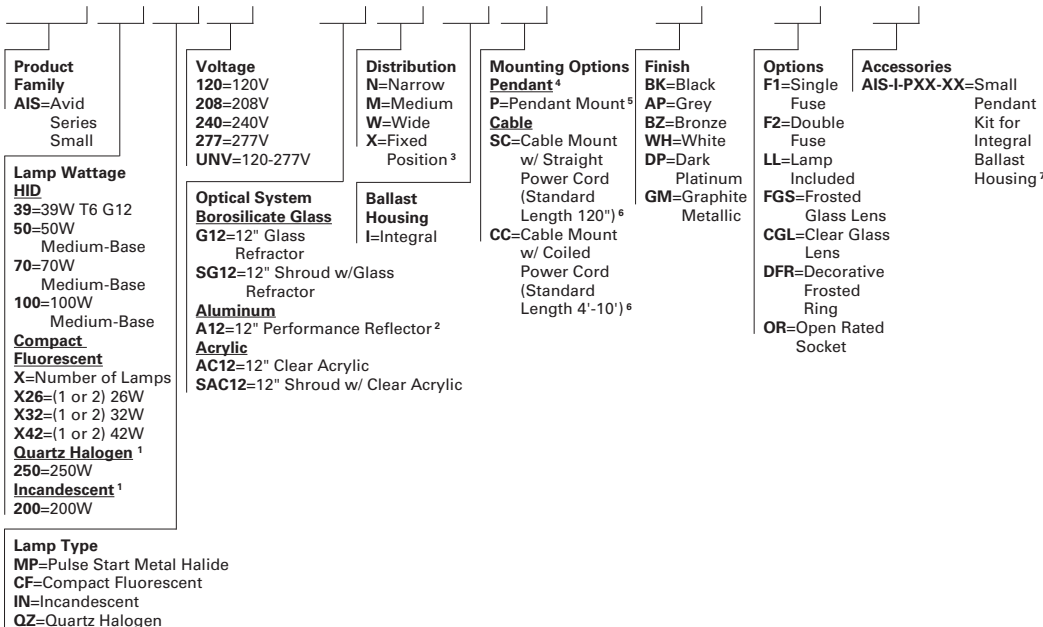
**200W**

Incandescent

**DECORATIVE HIGH-BAY  
LUMINAIRE**

## ORDERING INFORMATION

**SAMPLE NUMBER:** AIS-100-MH-120-A12-M-I-SC-GM



**NOTES:** 1 Cannot be used with AC12 Optic. 2 Shroud comes standard with Performance Reflector. 3 Specify X for lamp type CF. 4 Pendant dimension refers to the distance from the mounting plane to the bottom of the fixture. 5 Must order pendant kit separately, see accessories for ordering information. 6 Specify W for white cord, example: SCW. 7 Specify distance from mounting plane to the bottom of the fixture and finish (Example: AIS-I-P24-GM). 8 Specifications and dimensions subject to change without notice.

- Cast aluminum top can be specified for pendant or suspension mounting
- Pendant mounting comes with 1/2" pipe with internal locking screw
- Suspension mounting has two (2) stainless steel suspension cables with quick adjustment enabling the luminaire to be quickly leveled
- Integral ballast housing consists of heat dissipating aluminum finned construction
- Cast aluminum midsection is designed to dissipate the heat energy away from the lamp compartment separating the optical cavity from the integral ballast housing assuring a cool operation
- Optical construction is designed to remain flexible providing multiple distributions and optical types
- Approximate net weight: 28 lbs. (12.7 kgs.)

Lamp Type	Wattage
Pulse Start Metal Halide (MP)	39, 50, 70, 100W
Compact Fluorescent (CF)	(1) 26, (1) 32, (1) 42W (2) 26, (2) 32, (2) 42W
Quartz Halogen (QZ)	250W
Incandescent (IN)	200W

# COOPER LIGHTING - LUMARK



## AIM AVID MEDIUM

### 150-250W

Pulse Start Metal Halide  
Metal Halide

### 52-168W

Compact Fluorescent

### DECORATIVE HIGH-BAY LUMINAIRE

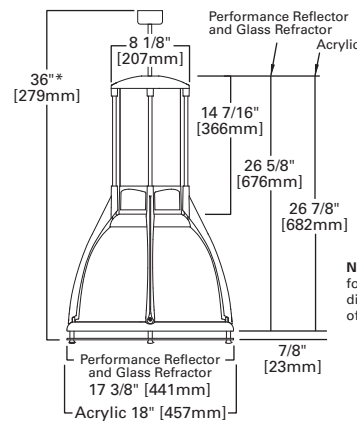
- Cast aluminum top can be specified for pendant or suspension mounting
- Pendant mounting comes with 1/2" pipe with internal locking screw. Requires 4" octagonal J-box with fixture rating that exceeds 45 lbs
- Suspension mounting has two (2) stainless steel suspension cables with quick adjustment enabling the luminaire to be quickly leveled
- Integral ballast housing consists of heat dissipating aluminum finned construction
- Cast aluminum midsection is designed to dissipate the heat energy away from the lamp compartment separating the optical cavity from the integral ballast housing assuring a cool operation
- Field adjustable socket bracket has three settings concentrated, medium, and wide
- Optical construction is designed to remain flexible providing multiple distributions and optical types
- HPF ballast with class H insulation minimum starting temperature is -30°C (-20°F) for MH, and MP
- Approximate net weight: 45 lbs. (20.5 kgs.)

### DESCRIPTION

AVID Series delivers a scalable aesthetically pleasing family of luminaires that combines the needs of lighting designers, architects, and building owners of architectural form providing great lighting performance in interior spaces. This rugged luminaire design considers multiple mounting configurations integrating a vast array of lamp sources and ballast technologies allowing specifications to combine one style for many interior application needs.

### DIMENSIONS

#### INTEGRAL MOUNT



**NOTE:** \*See accessories for ordering information for pendant kit. Pendant kit dimension based on distance from mounting plane to the bottom of the fixture.

### ORDERING INFORMATION

SAMPLE NUMBER: AIM-175-MH-MT-A16-M-I-P-GM

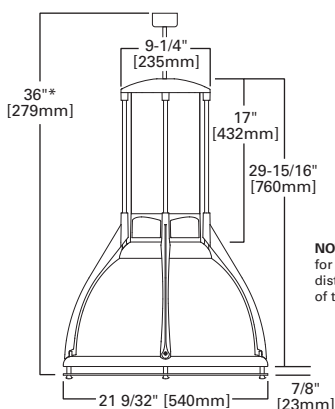
<b>Product Family</b> AIM=Avid Series Medium	<b>Voltage</b> 120=120V 208=208V 240=240V 277=277V 347=347V 480=480V	<b>Distribution</b> N=Narrow M=Medium W=Wide X=Fixed Position <sup>3</sup>	<b>Mounting Options</b> <b>Pendant</b> <sup>4</sup> P=Pendant Mount <sup>5</sup> <b>Cable</b> SC=Cable Mount w/ Straight Power Cord (Standard Length 120") <sup>6</sup> CC=Cable Mount w/ Coiled Power Cord (Standard Length 4'-10") <sup>6</sup>	<b>Finish</b> BK=Black AP=Grey BZ=Bronze WH=White DP=Dark Platinum GM=Graphite Metallic	<b>Options</b> Q=Quartz Restrike (Hot Strike Only) <sup>7</sup> EM=Quartz Restrike w/ "Delay Relay" (Quartz lamp Strikes at both hot and cold starts) <sup>7</sup> EM/SC=Emergency Separate Circuit <sup>7</sup> F1=Single Fuse F2=Double Fuse LL=Lamp Included OR=Open Rated Socket FGS=Frosted Glass Lens <sup>8</sup> CGL=Clear Glass Lens <sup>8</sup> DFR=Decorative Frosted Ring	<b>Accessories</b> AIM-I-PXX-XX=Medium Pendant Kit for Integral Ballast Housing <sup>9</sup>
<b>Lamp Wattage</b> 150=150W Medium-Base 175=175W Mogul-Base 250=250W Mogul-Base <b>Compact Fluorescent</b> X=Number of Lamps X26=(2 or 4) 26W X32=(2 or 4) 32W X42=(2 or 4) 42W	<b>Optical System</b> <b>Borosilicate Glass</b> G16=16" Glass Refractor SG16=16" Shroud w/Glass Refractor <b>Aluminum</b> A16=16" Performance Reflector <sup>1</sup> <b>Acrylic</b> AC16=16" Clear Acrylic <sup>2</sup>	<b>Ballast Housing</b> I=Integral				
<b>Lamp Type</b> MP=Pulse Start Metal Halide MH=Metal Halide CF=Compact Fluorescent						

**NOTES:** 1 Shroud comes standard with Performance Reflector. 2 Rated for 25°C ambient environments. 3 Specify X for lamp type CF. 4 Pendant dimension refers to the distance from the mounting plane to the bottom of the fixture. 5 Must order pendant kit separately, see accessories for ordering information. 6 Specify W for white cord, example: SCW. 7 Quartz lamp 150W max. 8 Lens not available with Acrylic option. 9 Specify distance from mounting plane to the bottom of the fixture and finish (Example: AII-I-P24-GM). 10 Specifications and dimensions subject to change without notice.

Lamp Type	Wattage
Pulse Start Metal Halide (MP)	175, 250W
Metal Halide (MH)	150, 175, 250W
Compact Fluorescent (CF)	(2) 26, (2) 32, (2) 42W (4) 26, (4) 32, (4) 42W

## DIMENSIONS

### INTEGRAL MOUNT



NOTE: \*See accessories for ordering information for pendant kit. Pendant kit dimension based on distance from mounting plane to the bottom of the fixture.

## DESCRIPTION

AVID Series delivers a scalable aesthetically pleasing family of luminaires that combines the needs of lighting designers, architects, and building owners of architectural form providing great lighting performance in interior spaces. This rugged luminaire design considers multiple mounting configurations integrating a vast array of lamp sources and ballast technologies allowing specifications to combine one style for many interior application needs.



## AIL AVID LARGE

### 250-400W

Pulse Start Metal Halide  
Metal Halide

### 104-252W

Compact Fluorescent

### DECORATIVE HIGH-BAY LUMINAIRE

- Cast aluminum top can be specified for pendant or suspension mounting
- Pendant mounting comes with 1/2" pipe with internal locking screw. Requires 4" octagonal J-box with fixture rating that exceeds 60 lbs
- Suspension mounting has two (2) stainless steel suspension cables with quick adjustment enabling the luminaire to be quickly leveled
- Integral ballast housing consists of heat dissipating aluminum finned construction
- Cast aluminum midsection is designed to dissipate the heat energy away from the lamp compartment separating the optical cavity from the integral ballast housing assuring a cool operation
- Field adjustable socket bracket has three settings concentrated, medium, and wide
- Optical construction is designed to remain flexible providing multiple distributions and optical types
- HPF ballast with class H insulation minimum starting temperature is -30°C (-20°F) for MH, and MP
- Approximate net weight: 30 lbs. (29.5 kgs.)

## ORDERING INFORMATION

SAMPLE NUMBER: AIL-400-MH-MT-G19-M-I-P-GM

<b>Product Family</b> AIL=Avid Series Large	<b>Voltage</b> 120=120V 208=208V 240=240V 277=277V 347=347V 480=480V	<b>Distribution</b> N=Narrow M=Medium W=Wide X=Fixed Position <sup>2</sup>	<b>Mounting Options</b> <b>Pendant</b> <sup>3</sup> P=Pendant Mount <sup>4</sup> <b>Cable</b> SC=Cable Mount w/ Straight Power Cord (Standard Length 120") <sup>5</sup> CC=Cable Mount w/ Coiled Power Cord (Standard Length 4'-10") <sup>5</sup>	<b>Finish</b> BK=Black AP=Grey BZ=Bronze WH=White DP=Dark Platinum GM=Graphite Metallic	<b>Options</b> Q=Quartz Restrike (Hot Strike Only) <sup>6</sup> EM=Quartz Restrike w/ "Delay Relay" (Quartz lamp Strikes at both hot and cold starts) <sup>6</sup> EM/SC=Emergency Separate Circuit <sup>6</sup> F1=Single Fuse F2=Double Fuse LL=Lamp Included OR=Open Rated Socket FGS=Frosted Glass Lens <sup>7</sup> CGL=Clear Glass Lens <sup>7</sup> DFR=Decorative Frosted Ring	<b>Accessories</b> AIL-I-PXX-XX=Large Pendant Kit for Integral Ballast Housing <sup>8</sup>
<b>Lamp Wattage</b> <b>HID</b> 250=250W Mogul-Base 320=320W Mogul-Base 350=350W Mogul-Base 400=400W Mogul-Base <b>Compact Fluorescent</b> X=Number of Lamps X26=(4 or 6) 26W X32=(4 or 6) 32W X42=(4 or 6) 42W	<b>Optical System</b> Borosilicate Glass G19=19" Glass Refractor SG19=19" Shroud w/Glass Refractor Aluminum A19=19" Performance Reflector <sup>1</sup>	<b>Ballast Housing</b> I=Integral				
<b>Lamp Type</b> MP=Pulse Start Metal Halide MH=Metal Halide CF=Compact Fluorescent						

NOTES: 1 Shroud comes standard with Performance Reflector. 2 Specify X for lamp type CF. 3 Pendant dimension refers to the distance from the mounting plane to the bottom of the fixture. 4 Must order pendant kit separately, see accessories for ordering information. 5 Specify W for white cord, example: SCW. 6 Quartz lamp 150W max. 7 Lens not available with Acrylic option. 8 Specify distance from mounting plane to the bottom of the fixture and finish (Example: AIL-I-P24-GM). 9 Specifications and dimensions subject to change without notice.

Lamp Type	Wattage
Pulse Start Metal Halide (MP)	250, 320, 350, 400W
Metal Halide (MH)	250, 400W
Compact Fluorescent (CF)	(4) 26, (4) 32, (4) 42W (6) 26, (6) 32, (6) 42W

# COOPER LIGHTING - LUMARK



## SS 15", 18" & 23" STEELER

**70-1000W**  
High Pressure Sodium  
Pulse Start Metal Halide  
Metal Halide

### HIGH-BAY INDUSTRIAL LUMINAIRE

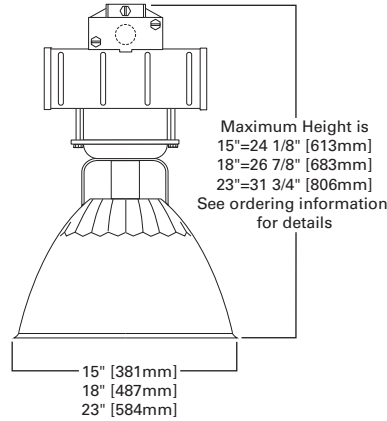
- U.L. listed for damp locations. CSA certified. EISA Compliant
- Easy slide-on die-cast aluminum mounting box with tapped opening for 3/4" conduit
- Heavy-duty, formed steel housing with an open air ballast for cooler operation is finished in a standard white polyester powder paint
- High power factor ballast with class H insulation. Minimum starting temperature is -40°C (-40° F) for HP and -30°C (-20° F) for MH, MP and ML
- Universal ladder brackets allow for the flexibility to change out with other reflectors available in acrylic or glass
- Mogul-base porcelain socket. 150W and below is medium-base
- Computer-designed, field-adjustable reflector mounts easily and allows multiple distribution patterns for precise control
- Approximate net weight: 30-37 lbs. (13-17 kgs.)

### DESCRIPTION

The Steeler combines computerized design, durable cold-rolled steel and a field-adjustable reflector to provide a degree of versatility unmatched in other industrials. U.L. listed and labeled for damp location. CSA Certified.

The Steeler is perfect for high-bay applications such as gymnasiums, hangars, manufacturing, assembly and auto service areas.

### DIMENSIONS



### ORDERING INFORMATION

SAMPLE NUMBER: MPSS-SA18-M-150-MT-Q

Lamp Type	Series	Reflector Type	Reflector Diameter	Distribution <sup>3</sup>	Lamp Wattage	Voltage <sup>4</sup>	Options & Accessories
MP=Pulse Start Metal Halide <sup>1</sup>	SS=Steeler	SA=Anodized Spun Aluminum	15=15" 18=18" 23=23"	C=Concentrated M=Medium W=Wide	<b>MP</b> 70=70W 100=100W 175=175W 200=200W 250=250W 320=320W 350=350W 400=400W 450=450W 750=750W 1000=1000W	<b>MH</b> 175=175W 250=250W 400=400W 1000=1000W <b>HP</b> 70=70W 100=100W 150=150W 250=250W 400=400W 600=600W 750=750W	120V 208V 240V 277V 347V 480V MT=Multi-Tap wired 277V TT=Triple-Tap wired 347V 5T=5-Tap <sup>5</sup> (See Pages 42-46)

**NOTES:** 1 Approved lamp containment barrier required when enclosed rated MP/ML/MH lamps are used. 2005 NEC code requires that open luminaires must utilize a safety glass bottom (SGB) accessory or an Open rated socket (OR) and lamp. 2 277V only, not available with HSW, Q, EM, HL or HC options. 3 Factory set for concentrated, medium or wide distributions only if P (factory pre-set) is in the nomenclature of the fixture. Otherwise shipped in medium setting. 4 Products also available in non-US voltages and 50HZ for international markets. Consult your Cooper Lighting Representative for availability and ordering information. 88% EISA compliant MP fixtures not available in 347V and Triple-tap voltages. 5 88% EISA compliant MP fixtures not available in 5-tap voltages. 6 Specifications and dimensions subject to change without notice.

STOCK SAMPLE NUMBER: MPSS40

Lamp Type	Series	Lamp Wattage	Option
MP=Pulse Start Metal Halide (CWA)	SS=Steeler	25=250W 32=320W 35=350W 40=400W 40Q=400W and Quartz Restrike 408=400W (Canada, Triple-Tap Ballast)	5T=5-Tap Ballast <sup>1</sup> OR=Open Rated

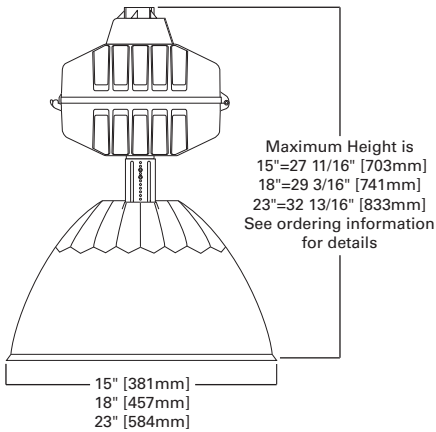
**NOTES:** 1 88% EISA compliant MP fixtures not available in 5-tap voltages. Options not available with stock products. Order Accessories as separate items for field installation. Refer to standard ordering information to add options and accessories.

Reflector Type	Lamp Wattage	Ambient Environment	Supply Wire (Min.)
SA15	70-450W	55°C (450W + Up) 65°C (70-400W)	90°C
SA18	70-450W		
SA23	400-1000W		

Lamp Type	Wattage
Pulse Start Metal Halide (MP)	70, 100, 175, 200, 250, 320, 350, 400, 450, 750, 1000W
Metal Halide (MH)	175, 250, 400, 1000W
High Pressure Sodium (HP)	70, 100, 150, 250, 400, 600, 750W

Voltage Chart	
MT=Multi-Tap	120/208/240/277V (wired 277V)
TT=Triple-Tap	120/277/347V (wired 347V)
5T=5-Tap	120/208/240/277/480V (wired 277V)

## DIMENSIONS



## DESCRIPTION

The Benchmark HB utilizes a durable heavy-duty die-cast aluminum ballast housing and computer aided designed reflector system for specification-level performance at higher mounting heights. U.L. listed and CSA certified. Damp location standard.

The Benchmark HB is perfect for high-bay applications such as gymnasiums, hangars, manufacturing, assembly and auto service areas.



## HB HIGH-BAY BENCHMARK

**175-1000W**

High Pressure Sodium  
 Pulse Start Metal Halide  
 Metal Halide

DIE-CAST ALUMINUM  
 HIGH-BAY HEAVY-DUTY  
 INDUSTRIAL LUMINAIRE

## ORDERING INFORMATION

SAMPLE NUMBER: HPHB-SA18-M-400-MT-Q

Lamp Type	Series	Reflector Type	Reflector Diameter	Distribution <sup>3</sup>	Lamp Wattage	Voltage <sup>4</sup>	Options & Accessories
MP=Pulse Start Metal Halide <sup>1</sup>	HB=High-Bay Benchmark	SA=Anodized Spun Aluminum	15=15" 18=18" 23=23"	C=Concentrated M=Medium W=Wide	<b>MP</b> 175=175W 200=200W 250=250W 320=320W 350=350W 400=400W 450=450W 750=750W 1000=1000W	<b>MH</b> 175=175W 250=250W 400=400W 1000=1000W <b>HP</b> 250=250W 400=400W 600=600W 750=750W	120V 208V 240V 277V 347V 480V MT=Multi-Tap wired 277V TT=Triple-Tap wired 347V 5T=5-Tap <sup>5</sup>
MH=Metal Halide <sup>1</sup>							(See Pages 42-46)
ML=Pulse Start Metal Halide (Linear Reactor) <sup>1,2</sup>							
HP=High Pressure Sodium							

**NOTES:** 1 Approved lamp containment barrier required when enclosed rated MP/ML/MH lamps are used. 2005 NEC code requires that open luminaires must utilize a safety glass bottom (SGB) accessory or an Open rated socket (OR) and lamp. 2 Not available with HSW, Q, EM, HL or HC options. 3 Factory set for concentrated, medium or wide distributions only if P (factory pre-set) is in the nomenclature of the fixture. Otherwise shipped in medium setting. 4 Products also available in non-US voltages and 50HZ for international markets. Consult your Cooper Lighting Representative for availability and ordering information. 88% EISA complaint MP fixtures not available in 347V and Triple-tap voltages. 5 88% EISA complaint MP fixtures not available in 5-tap voltages. 6 Specifications and dimensions subject to change without notice.

- U.L. listed for damp locations. CSA certified. EISA Complaint
- Easy slide-on die-cast aluminum mounting box with tapped opening for 3/4" conduit
- Durable heavy-duty die-cast aluminum housing for lasting performance in the harshest environments. Integrally hinged for ease of maintenance with optional toolless entry. Finished in a standard white polyester powder paint
- High power factor ballast with class H insulation. Minimum starting temperature is -40°C (-40° F) for HP and -30°C (-20° F) for MH, MP and ML
- Universal ladder brackets allow for the flexibility to change out with other reflectors available in acrylic or glass
- Mogul-base porcelain socket
- Approximate net weight: 35 lbs. (15 kgs.)

Reflector Type	Lamp Wattage	Ambient Environment	Supply Wire (Min.)
SA15	175-450W	55°C (450W + Up) 65°C (175-400W)	105°C
SA18	175-450W		
SA23	400-1000W		

Lamp Type	Wattage
Pulse Start Metal Halide (MP)	175, 200, 250, 320, 350, 400, 450, 750, 1000W
Metal Halide (MH)	175, 250, 400, 1000W
High Pressure Sodium (HP)	250, 400, 600, 750W

Voltage Chart	
MT=Multi-Tap	120/208/240/277V (wired 277V)
TT=Triple-Tap	120/277/347V (wired 347V)
5T=5-Tap	120/208/240/277/480V (wired 277V)

# E COOPER LIGHTING - LUMARK



## SE 18" & 23" E&G STEELER

**175-1000W**  
High Pressure Sodium  
Pulse Start Metal Halide  
Metal Halide

**ENCLOSED & GASKETED  
HIGH-BAY INDUSTRIAL  
LUMINAIRE**

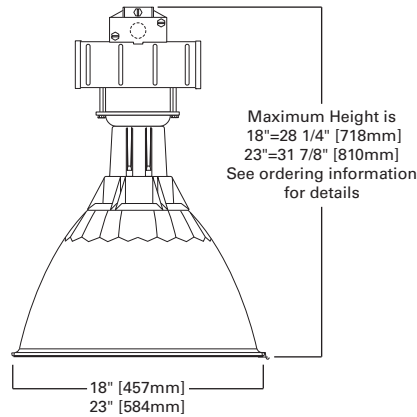
- U.L. listed for damp locations. CSA certified. EISA Compliant
- Easy slide-on die-cast aluminum mounting box with tapped opening for 3/4" conduit
- Heavy-duty, formed steel housing with an open air ballast for cooler operation is finished in a standard white polyester powder paint
- High power factor ballast with class H insulation. Minimum starting temperature is -40°C (-40°F) for HP and -30°C (-20°F) for MH, MP and ML
- Die-cast aluminum neck with staggered mounting bosses for eight-position adjustability of the socket which provides a variety of distributions from concentrated to wide
- Clear tempered glass lens in an extruded aluminum door frame with stainless steel latches allows access for relamping without tools
- Mogul-base porcelain socket
- Approximate net weight: 38-50 lbs. (17-23 kgs.)

### DESCRIPTION

The E & G Steeler utilizes the SA18 and SA23 reflector system for maximum performance. It features a die-cast aluminum neck for superior strength and an extruded aluminum hinged and latched door frame for access to the lamp without tools. The E & G is fully enclosed and gasketed at three (3) separate points to prevent entry of external contaminants. U.L. listed and labeled for damp location. CSA Certified.

The E & G Steeler is perfect for textile mills, gymnasiums, hangars, assembly and auto service areas.

### DIMENSIONS



### ORDERING INFORMATION

**SAMPLE NUMBER:** HPSE-ENSA18-M-400-MT-Q

Lamp Type	Series	Reflector Type	Reflector Diameter	Distribution <sup>3</sup>	Lamp Wattage	Voltage <sup>4</sup>	Options & Accessories
MP=Pulse Start Metal Halide <sup>1</sup>	SE=E&G Steeler	ENSA=Enclosed & Gasketed Spun Aluminum	18=18" 23=23"	C=Concentrated M=Medium W=Wide	MP 175=175W 200=200W 250=250W 320=320W 350=350W 400=400W 450=450W 750=750W 1000=1000W	MH 175=175W 250=250W 400=400W 1000=1000W HP 250=250W 400=400W 600=600W 750=750W	120V 208V 240V 277V 347V 480V MT=Multi-Tap wired 277V TT=Triple-Tap wired 347V 5T=5-Tap <sup>5</sup>

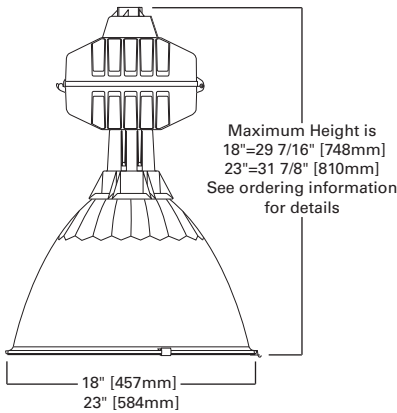
**NOTES:** 1 Approved lamp containment barrier required when enclosed rated MP/ML/MH lamps are used. 2005 NEC code requires that open luminaires must utilize a safety glass bottom (SGB) accessory or an Open rated socket (OR) and lamp. 2 277V only, not available with HSW, Q, EM, HL or HC options. 3 Factory set for concentrated, medium or wide distributions only if P (factory pre-set) is in the nomenclature of the fixture. Otherwise shipped in medium setting. 4 Products also available in non-US voltages and 50HZ for international markets. Consult your Cooper Lighting Representative for availability and ordering information. 88% EISA complaint MP fixtures not available in 347V and Triple-tap voltages. 5 88% EISA complaint MP fixtures not available in 5-tap voltages. 6 Specifications and dimensions subject to change without notice.

Reflector Type	Lamp Wattage	Ambient Environment	Supply Wire (Min.)
ENSA18	175-400W	55°C (450W + Up)	90°C
ENSA23	400-1000W	65°C (175-400W)	

Lamp Type	Wattage
Pulse Start Metal Halide (MP)	175, 200, 250, 320, 350, 400, 450, 750, 1000W
Metal Halide (MH)	175, 250, 400, 1000W
High Pressure Sodium (HP)	250, 400, 600, 750W

Voltage Chart	
MT=Multi-Tap	120/208/240/277V (wired 277V)
TT=Triple-Tap	120/277/347V (wired 347V)
5T=5-Tap	120/208/240/277/480V (wired 277V)

## DIMENSIONS



## DESCRIPTION

The Benchmark EB utilizes a durable heavy-duty die-cast aluminum ballast housing and the SA18 and SA23 reflector system for maximum performance. It features a die-cast aluminum neck for superior strength and an extruded aluminum door frame with stainless steel latches for access to the lamp without tools. The EB is fully enclosed and gasketed at three (3) separate points to prevent entry of external contaminants. U.L. listed and CSA certified for damp locations standard. Wet location optional.

The Benchmark EB is perfect for textile mills, gymnasiums, hangars, assembly and auto service areas.



## EB 18" & 23" E&G BENCHMARK

**175-1000W**  
High Pressure Sodium  
Pulse Start Metal Halide  
Metal Halide

**DIE-CAST ALUMINUM  
ENCLOSED & GASKETED  
HIGH-BAY HEAVY-DUTY  
LUMINAIRE**

## ORDERING INFORMATION

SAMPLE NUMBER: HPEB-ENSA18-M-400-MT-Q

Lamp Type	Series	Reflector Type	Reflector Diameter	Distribution <sup>3</sup>	Lamp Wattage	Voltage <sup>4</sup>	Options & Accessories	
MP=Pulse Start Metal Halide <sup>1</sup>	EB=E&G Benchmark	ENSA=Enclosed & Gasketed Spun Aluminum	18=18" 23=23"	C=Concentrated M=Medium W=Wide	<b>MP</b> 175=175W 200=200W 250=250W 320=320W 350=350W 400=400W 450=450W 750=750W 1000=1000W	<b>MH</b> 175=175W 250=250W 400=400W 1000=1000W <b>HP</b> 250=250W 400=400W 600=600W 750=750W	120V 208V 240V 277V 347V 480V MT=Multi-Tap wired 277V TT=Triple-Tap wired 347V 5T=5-Tap <sup>5</sup>	(See Pages 42-46)
MH=Metal Halide <sup>1</sup>								
ML=Pulse Start Metal Halide (Linear Reactor) <sup>1,2</sup>								
HP=High Pressure Sodium								

**NOTES:** 1 Approved lamp containment barrier required when enclosed rated MP/ML/MH lamps are used. 2005 NEC code requires that open luminaires must utilize a safety glass bottom (SGB) accessory or an Open rated socket (OR) and lamp. 2 277V only, not available with HSW, Q, EM, HL or HC options. 3 Factory set for concentrated, medium or wide distributions only if P (factory pre-set) is in the nomenclature of the fixture. Otherwise shipped in medium setting. 4 Products also available in non-US voltages and 50HZ for international markets. Consult your Cooper Lighting Representative for availability and ordering information. 88% EISA compliant MP fixtures not available in 347V and Triple-tap voltages. 5 88% EISA compliant MP fixtures not available in 5-tap voltages. 6 Specifications and dimensions subject to change without notice.

- U.L. listed for damp locations. CSA certified. EISA Compliant
- Easy slide-on die-cast aluminum mounting box with tapped opening for 3/4" conduit
- Durable heavy-duty die-cast aluminum housing for lasting performance in the harshest environments. Integrally hinged for ease of maintenance with optional toolless entry. Finished in a standard white polyester powder paint
- High power factor ballast with class H insulation. Minimum starting temperature is -40°C (-40°F) for HP and -30°C (-20°F) for MH, MP and ML
- Die-cast aluminum neck with staggered mounting bosses for eight-position adjustability of the socket which provides a variety of distributions from concentrated to wide
- Clear tempered glass lens in an extruded aluminum door frame with stainless steel latches allows access for relamping without tools
- Approximate net weight: 34-47 lbs. (15-21 kgs.)

Reflector Type	Lamp Wattage	Ambient Environment	Supply Wire (Min.)
ENSA18	175-400W	55°C (450W + Up)	105°C
ENSA23	400-1000W	65°C (175-400W)	

Lamp Type	Wattage
Pulse Start Metal Halide (MP)	175, 200, 250, 320, 350, 400, 450, 750, 1000W
Metal Halide (MH)	175, 250, 400, 1000W
High Pressure Sodium (HP)	250, 400, 600, 750W

Voltage Chart	
MT=Multi-Tap	120/208/240/277V (wired 277V)
TT=Triple-Tap	120/277/347V (wired 347V)
5T=5-Tap	120/208/240/277/480V (wired 277V)

# COOPER LIGHTING - LUMARK



## UB BENCHMARK UPLIGHT

### 175-450W

High Pressure Sodium  
Pulse Start Metal Halide  
Metal Halide

### HEAVY-DUTY INDUSTRIAL LUMINAIRE

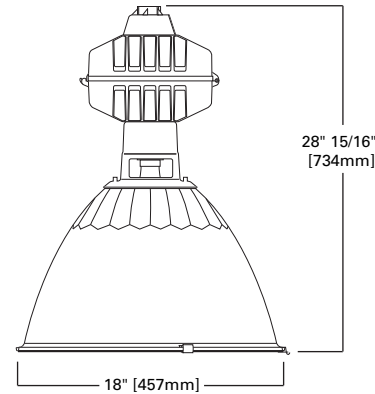
- U.L. listed for damp locations. CSA certified. EISA Compliant
- Easy slide-on die-cast aluminum mounting box with tapped opening for 3/4" conduit
- Durable heavy-duty die-cast aluminum housing for lasting performance in the harshest environments. Integrally hinged for ease of maintenance with optional toolless entry. Finished in a standard white polyester powder paint
- High power factor ballast with class H insulation. Minimum starting temperature is -40°C (-40°F) for HP and -30°C (-20°F) for MH, MP and ML
- Cast aluminum neck with heat- and impact-resistant glass lenses creates upright that helps illuminate high-ceiling spaces
- Clear tempered glass lens in an extruded aluminum door frame with stainless steel latches allows access for relamping without tools
- Mogul-base porcelain socket
- Approximate net weight: 47 lbs. (21 kgs.)

### DESCRIPTION

The Benchmark UB utilizes a durable heavy-duty die-cast aluminum ballast housing and the SA18 reflector system for maximum performance. It features a cast aluminum neck for superior strength and a hinged and latched extruded aluminum door frame for access to the lamp without tools U.L. listed for and CSA certified damp location standard.

The Benchmark UB is perfect for retail stores, gymnasiums, hangars, assembly and auto service areas.

### DIMENSIONS



### ORDERING INFORMATION

SAMPLE NUMBER: HPUB-ENSA18-M-400-MT-Q

Lamp Type	Series	Reflector Type	Reflector Diameter	Distribution <sup>3</sup>	Lamp Wattage	Voltage <sup>4</sup>	Options & Accessories
MP=Pulse Start Metal Halide <sup>1</sup>	UB=Benchmark Uplight	ENSA=Enclosed & Gasketed Spun Aluminum	18=18"	C=Concentrated M=Medium W=Wide	MP 175=175W 200=200W 250=250W 320=320W 350=350W 400=400W 450=450W	MH 175=175W 250=250W 400=400W HP 250=250W 400=400W	120V 208V 240V 277V 347V 480V MT=Multi-Tap wired 277V TT=Triple-Tap wired 347V 5T=5-Tap <sup>5</sup>
MH=Metal Halide <sup>1</sup>							(See Pages 42-46)
ML=Pulse Start Metal Halide (Linear Reactor) <sup>1,2</sup>							
HP=High Pressure Sodium							

NOTES: 1 Approved lamp containment barrier required when enclosed rated MP/ML/MH lamps are used. 2005 NEC code requires that open luminaires must utilize a safety glass bottom (SGB) accessory or an Open rated socket (OR) and lamp. 2 277V only, not available with HSW, Q, EM, HL or HC options. 3 Factory set for concentrated, medium or wide distributions only if P (factory pre-set) is in the nomenclature of the fixture. Otherwise shipped in medium setting. 4 Products also available in non-US voltages and 50HZ for international markets. Consult your Cooper Lighting Representative for availability and ordering information. 5 88% EISA compliant MP fixtures not available in 347V and Triple-tap voltages. 6 88% EISA compliant MP fixtures not available in 5-tap voltages. 6 Specifications and dimensions subject to change without notice.

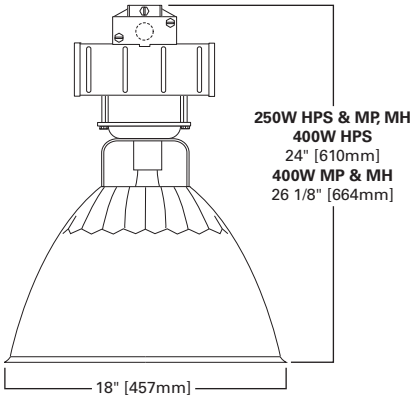
Reflector Type	Lamp Wattage	Ambient Environment	Supply Wire (Min.)
ENSA18	175-400W	65°C (175-400W)	105°C

Lamp Type	Wattage
Pulse Start Metal Halide (MP)	175, 200, 250, 320, 350, 400, 450W
Metal Halide (MH)	175, 250, 400W
High Pressure Sodium (HP)	250, 400W

Voltage Chart	
MT=Multi-Tap	120/208/240/277V (wired 277V)
TT=Triple-Tap	120/277/347V (wired 347V)
5T=5-Tap	120/208/240/277/480V (wired 277V)



## DIMENSIONS



## DESCRIPTION

The Econoliter utilizes the SA18 reflector system. Anodized reflector baffles combine with the SA18 reflector to kick light into the desired distribution for narrow aisle environments. U.L. listed and labeled for damp location. CSA Certified.

Econoliter provides optimum visual conditions in warehouses by redirecting light to achieve high vertical lighting levels on stacks and maximum horizontal footcandles in the aisles.



## SS ECONOLITER

**175-450W**  
High Pressure Sodium  
Pulse Start Metal Halide  
Metal Halide

AISLE LIGHT INDUSTRIAL  
LUMINAIRE

- U.L. listed for damp locations. CSA certified. EISA Compliant
- Easy slide-on die-cast aluminum mounting box with tapped opening for 3/4" conduit
- Heavy-duty, formed steel housing with an open air ballast for cooler operation is finished in a standard white polyester powder paint
- High power factor ballast with class H insulation. Minimum starting temperature is -40°C (-40°F) for HP and -30°C (-20°F) for MH, MP and ML
- Mogul-base porcelain socket
- Computer designed, faceted SA18 reflector and anodized baffles provide maximum photometric performance and beam efficiency
- Universal ladder brackets allow for the flexibility to change out with other reflectors available in acrylic or glass
- Approximate net weight: 30 lbs. (14 kgs.)

## ORDERING INFORMATION

SAMPLE NUMBER: HPSS-EL18-M-400-MT-Q

Lamp Type	Series	Reflector Type	Reflector Diameter	Distribution <sup>3</sup>	Lamp Wattage	Voltage <sup>4</sup>	Options & Accessories
MP=Pulse Start Metal Halide <sup>1</sup>	SS=Steeler	EL=Econoliter	18=18"	C=Concentrated M=Medium W=Wide	MP 175=175W 200=200W 250=250W 320=320W 350=350W 400=400W 450=450W	MH 175=175W 250=250W 400=400W HP 250=250W 400=400W	(See Pages 42-46) MT=Multi-Tap wired 277V TT=Triple-Tap wired 347V 5T=5-Tap <sup>5</sup>
MH=Metal Halide <sup>1</sup>							
ML=Pulse Start Metal Halide (Linear Reactor) <sup>1,2</sup>							
HP=High Pressure Sodium							

NOTES: 1 Approved lamp containment barrier required when enclosed rated MP/ML/MH lamps are used. 2005 NEC code requires that open luminaires must utilize a safety glass bottom (SGB) accessory or an Open rated socket (OR) and lamp. 2 277V only, not available with HSW, Q, EM, HL or HC options. 3 Factory set for concentrated, medium or wide distributions only if P (factory pre-set) is in the nomenclature of the fixture. Otherwise shipped in medium setting. 4 Products also available in non-US voltages and 50HZ for international markets. Consult your Cooper Lighting Representative for availability and ordering information. 88% EISA compliant MP fixtures not available in 347V and Triple-tap voltages. 5 88% EISA compliant MP fixtures not available in 5-tap voltages. 6 Specifications and dimensions subject to change without notice.

Reflector Type	Lamp Wattage	Ambient Environment	Supply Wire (Min.)
EL18	175-400W	65°C	90°C

Lamp Type	Wattage
Pulse Start Metal Halide (MP)	175, 200, 250, 320, 350, 400, 450W
Metal Halide (MH)	175, 250, 400W
High Pressure Sodium (HP)	250, 400W

Voltage Chart	
MT=Multi-Tap	120/208/240/277V (wired 277V)
TT=Triple-Tap	120/277/347V (wired 347V)
5T=5-Tap	120/208/240/277/480V (wired 277V)

# COOPER LIGHTING - LUMARK



## SS VERTX

### 150-450W

High Pressure Sodium  
Pulse Start Metal Halide  
Metal Halide

### VERTICAL AISLE LIGHTER HIGH-BAY LUMINAIRE

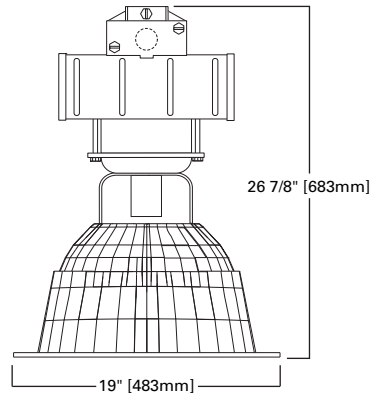
- U.L. listed for damp locations. CSA certified. EISA Compliant
- Easy slide-on die-cast aluminum mounting box with tapped opening for 3/4" conduit
- Heavy-duty, formed steel housing with an open air ballast for cooler operation is finished in a standard white polyester powder paint
- High power factor ballast with class H insulation. Minimum starting temperature is -40°C (-40°F) for HP and -30°C (-20°F) for MH, MP and ML
- Universal ladder brackets allow for the flexibility to change out with other reflectors available in acrylic or glass
- Mogul-base porcelain socket
- Computer-designed, reflector mounts easily and allows multiple distribution patterns for precise control
- Approximate net weight: 33-40 lbs. (15-18 kgs.)

### DESCRIPTION

The SS VertX combines durable cold-rolled steel housing with a hydroform aluminum field-adjustable reflector to provide superior aisleway illumination. U.L. listed and labeled for damp location. CSA certified.

The SS VertX aisle lighter is ideal for warehouse applications. Its unique distribution pattern delivers high horizontal illumination while reducing "scallops" or hot spots for a more uniform vertical surface.

### DIMENSIONS



### ORDERING INFORMATION

SAMPLE NUMBER: MHSS-AV19-M-400-MT-Q

Lamp Type	Series	Reflector Type	Reflector Diameter	Distribution <sup>3</sup>	Lamp Wattage	Voltage <sup>4</sup>	Options & Accessories
MP=Pulse Start Metal Halide <sup>1</sup>	SS=Steeler	AV=VertX	19=19"	C=Concentrated M=Medium W=Wide	MP 175=175W 200=200W 250=250W 320=320W 350=350W 400=400W 450=450W	MH 175=175W 250=250W 400=400W HP 150=150W 250=250W 400=400W	120V 208V 240V 277V 347V 480V MT=Multi-Tap wired 277V TT=Triple-Tap wired 347V 5T=5-Tap <sup>5</sup>
MH=Metal Halide <sup>1</sup>							(See Pages 42-46)
ML=Pulse Start Metal Halide (Linear Reactor) <sup>1,2</sup>							
HP=High Pressure Sodium							

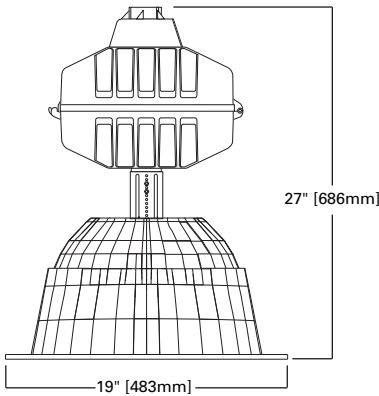
NOTES: 1 Approved lamp containment barrier required when enclosed rated MP/ML/MH lamps are used. 2005 NEC code requires that open luminaires must utilize a safety glass bottom (SGB) accessory or an Open rated socket (OR) and lamp. 2 277V only, not available with HSW, Q, EM, HL or HC options. 3 Factory set for concentrated, medium or wide distributions only if P (factory pre-set) is in the nomenclature of the fixture. Otherwise shipped in medium setting. 4 Products also available in non-US voltages and 50HZ for international markets. Consult your Cooper Lighting Representative for availability and ordering information. 88% EISA complaint MP fixtures not available in 347V and Triple-tap voltages. 5 88% EISA complaint MP fixtures not available in 5-tap voltages. 6 Specifications and dimensions subject to change without notice.

Reflector Type	Lamp Wattage	Ambient Environment	Supply Wire (Min.)
AV19	175-450W	55°C (450W) 65°C (175-400W)	90°C

Lamp Type	Wattage
Pulse Start Metal Halide (MP)	175, 200, 250, 320, 350, 400, 450W
Metal Halide (MH)	175, 250, 400W
High Pressure Sodium (HP)	150, 250, 400W

Voltage Chart	
MT=Multi-Tap	120/208/240/277V (wired 277V)
TT=Triple-Tap	120/277/347V (wired 347V)
5T=5-Tap	120/208/240/277/480V (wired 277V)

## DIMENSIONS



## DESCRIPTION

The HB VertX utilizes a durable heavy-duty die-cast aluminum ballast housing with a hydroformed aluminum reflector to provide superior aisleway illumination. U.L. listed and labeled for damp location.

The HB VertX aisle lighter is ideal for warehouse applications. Its unique distribution pattern delivers high horizontal illumination while reducing "scallop" or hot spots for a more uniform vertical surface.



## HB VERTX

**175-450W**  
High Pressure Sodium  
Pulse Start Metal Halide  
Metal Halide

HEAVY-DUTY VERTICAL  
AISLE LIGHTER  
HIGH-BAY LUMINAIRE

## ORDERING INFORMATION

SAMPLE NUMBER: HPHB-AV19-M-400-MT-Q

Lamp Type	Series	Reflector Type	Reflector Diameter	Distribution <sup>3</sup>	Lamp Wattage	Voltage <sup>5</sup>	Options & Accessories
MP=Pulse Start Metal Halide <sup>1</sup> MH=Metal Halide <sup>1</sup> ML=Pulse Start Metal Halide (Linear Reactor) <sup>1,2</sup> HP=High Pressure Sodium	HB=High-Bay Benchmark	AV=VertX	19=19"	C=Concentrated M=Medium W=Wide	MP 175=175W 200=200W 250=250W 320=320W 350=350W 400=400W 450=450W <sup>4</sup>	MH 175=175W 250=250W 400=400W HP 250=250W 400=400W	120V 208V 240V 277V 347V 480V MT=Multi-Tap wired 277V TT=Triple-Tap wired 347V 5T=5-Tap <sup>6</sup>

NOTES: 1 Approved lamp containment barrier required when enclosed rated MP/ML/MH lamps are used. 2005 NEC code requires that open luminaires must utilize a safety glass bottom (SGB) accessory or an Open rated socket (OR) and lamp. 2 277V only, not available with HSW, Q, EM, HL or HC options. 3 Factory set for concentrated, medium or wide distributions only if P (factory pre-set) is in the nomenclature of the fixture. Otherwise shipped in medium setting. 4 Standard 55°C ambient environments. 5 Products also available in non-US voltages and 50HZ for international markets. Consult your Cooper Lighting Representative for availability and ordering information. 88% EISA complaint MP fixtures not available in 347V and Triple-tap voltages. 6 88% EISA complaint MP fixtures not available in 5-tap voltages. 7 Specifications and dimensions subject to change without notice.

Reflector Type	Lamp Wattage	Ambient Environment	Supply Wire (Min.)
AV19	175-450W	55°C (400W + Up) 65°C	105°C

Lamp Type	Wattage
Pulse Start Metal Halide (MP)	175, 200, 250, 320, 350, 400, 450W
Metal Halide (MH)	175, 250, 400W
High Pressure Sodium (HP)	250, 400W

Voltage Chart	
MT=Multi-Tap	120/208/240/277V (wired 277V)
TT=Triple-Tap	120/277/347V (wired 347V)
5T=5-Tap	120/208/240/277/480V (wired 277V)

- U.L. listed for damp locations. CSA certified. EISA Compliant
- Easy slide-on die-cast aluminum mounting box with tapped opening for 3/4" conduit
- Durable heavy-duty die-cast aluminum housing for lasting performance in the harshest environments. Integrally hinged for ease of maintenance with optional toolless entry. Finished in a standard white polyester powder paint
- High power factor ballast with class H insulation. Minimum starting temperature is -40°C (-40°F) for HP and -30°C (-20°F) for MH, MP and ML
- Universal ladder brackets allow for the flexibility to change out with other reflectors available in acrylic or glass
- Mogul-base porcelain socket
- Computer aided designed, reflector mounts easily and allows multiple distribution patterns for precise control
- Approximate net weight: 35 lbs. (15 kgs.)

# COOPER LIGHTING - LUMARK



## SE E&G VERTX

### 175-450W

High Pressure Sodium  
Pulse Start Metal Halide  
Metal Halide

ENCLOSED & GASKETED  
VERTICAL AISLE LIGHTER  
HIGH-BAY LUMINAIRE

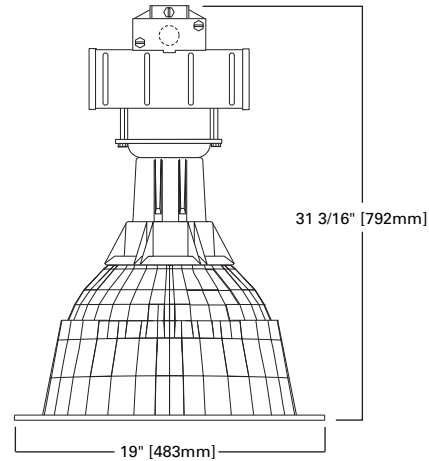
- U.L. listed for damp locations. CSA certified. EISA Compliant
- Easy slide-on die-cast aluminum mounting box with tapped opening for 3/4" conduit
- Heavy-duty, formed steel housing with an open air ballast for cooler operation is finished in a standard white polyester powder paint
- High power factor ballast with class H insulation. Minimum starting temperature is -40°C (-40°F) for HP and -30°C (-20°F) for MH, MP and ML
- Die-cast aluminum neck with staggered mounting bosses for eight-position adjustability of the socket which provides a variety of distributions from concentrated to wide
- Computer-designed, reflector mounts easily and allows multiple distribution patterns for precise control
- Clear tempered glass lens in an extruded aluminum door frame with easy latches to allow access for relamping without tools
- Mogul-base porcelain socket
- Approximate net weight: 38-50 lbs. (17-23 kgs.)

## DESCRIPTION

The SE E&G VertX utilizes the AV19 reflector system for maximum performance. It features a die-cast aluminum neck for superior strength and an extruded aluminum hinged door frame with latches for access to the lamp without tools. The SE E&G VertX is fully enclosed and gasketed at three separate points to prevent entry of external contaminants. U.L. listed and labeled for damp location. CSA Certified.

The SE E&G VertX aisle lighter is ideal for higher mounting height warehouse applications. Its unique distribution pattern delivers high horizontal illumination while reducing "scallops" or hot spots for a more uniform vertical surface.

## DIMENSIONS



## ORDERING INFORMATION

SAMPLE NUMBER: HPSE-ENAV19-M-400-MT-Q

Lamp Type	Series	Reflector Type	Reflector Diameter	Distribution <sup>3</sup>	Lamp Wattage		Voltage <sup>4</sup>	Options & Accessories (See Pages 42-46)
					MP	MH		
MP=Pulse Start Metal Halide <sup>1</sup>	SE=E&G VertX	ENAV=Enclosed & Gasketed VertX	19"=19"	C=Concentrated M=Medium W=Wide	175=175W 200=200W 250=250W 320=320W 350=350W 400=400W 450=450W	175=175W 250=250W 400=400W HP 250=250W 400=400W	120V 208V 240V 277V 347V 480V	
MH=Metal Halide <sup>1</sup>								MT=Multi-Tap wired 277V
ML=Pulse Start Metal Halide (Linear Reactor) <sup>1,2</sup>								TT=Triple-Tap wired 347V
HP=High Pressure Sodium								5T=5-Tap <sup>5</sup>

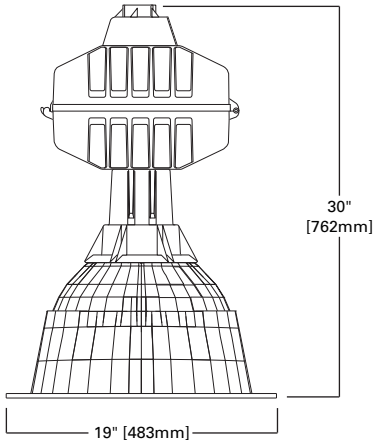
**NOTES:** 1 Approved lamp containment barrier required when enclosed rated MP/ML/MH lamps are used. 2005 NEC code requires that open luminaires must utilize a safety glass bottom (SGB) accessory or an Open rated socket (OR) and lamp. 2 277V only, not available with HSW, Q, EM, HL or HC options. 3 Factory set for concentrated, medium or wide distributions only if P (factory pre-set) is in the nomenclature of the fixture. Otherwise shipped in medium setting. 4 Products also available in non-US voltages and 50HZ for international markets. Consult your Cooper Lighting Representative for availability and ordering information. 88% EISA compliant MP fixtures not available in 347V and Triple-tap voltages. 5 88% EISA compliant MP fixtures not available in 5-tap voltages. 6 Specifications and dimensions subject to change without notice.

Reflector Type	Lamp Wattage	Ambient Environment	Supply Wire (Min.)
ENAV19	150-450W	55°C (450W + Up) 65°C (175-400W)	90°C

Lamp Type	Wattage
Pulse Start Metal Halide (MP)	175, 200, 250, 320, 350, 400, 450W
Metal Halide (MH)	175, 250, 400W
High Pressure Sodium (HP)	250, 400W

Voltage Chart	
MT=Multi-Tap	120/208/240/277V (wired 277V)
TT=Triple-Tap	120/277/347V (wired 347V)
5T=5-Tap	120/208/240/277/480V (wired 277V)

## DIMENSIONS



## DESCRIPTION

The EB E&G VertX utilizes the AV19 reflector system for maximum performance. It features a die-cast aluminum neck for superior strength and an extruded aluminum hinged door frame with latches for access to the lamp without tools. The EB E&G VertX is fully enclosed and gasketed at three separate points to prevent entry of external contaminants. U.L. listed and labeled for damp location. CSA Certified.

The EB E&G VertX aisle lighter is ideal for higher mounting height warehouse applications. Its unique distribution pattern delivers high horizontal illumination while reducing "scallop" or hot spots for a more uniform vertical surface.



## EB E&G VERTX

**175-450W**

High Pressure Sodium  
Pulse Start Metal Halide  
Metal Halide

HEAVY-DUTY  
ENCLOSED & GASKETED  
VERTICAL AISLE LIGHTER  
HIGH-BAY LUMINAIRE

- U.L. listed for damp locations. CSA certified. EISA Compliant
- Easy slide-on die-cast aluminum mounting box with tapped opening for 3/4" conduit
- Durable heavy-duty die-cast aluminum housing for lasting performance in the harshest environments. Integrally hinged for ease of maintenance with optional toolless entry
- High power factor ballast with class H insulation. Minimum starting temperature is -40°C (-40°F) for HP and -30°C (-20°F) for MH, MP and ML
- Die-cast aluminum neck with staggered mounting bosses for eight-position adjustability of the socket which provides a variety of distributions from concentrated to wide
- Computer aided designed, reflector mounts easily and allows multiple distribution patterns for precise control
- Clear tempered glass lens in an extruded aluminum door frame with latches to allow easy access for relamping without tools
- Approximate net weight: 34 lbs. (15 kgs.)

## ORDERING INFORMATION

SAMPLE NUMBER: HPEB-ENAV19-M-400-MT-Q

Lamp Type	Series	Reflector Type	Reflector Diameter	Distribution <sup>3</sup>	Lamp Wattage	Voltage <sup>4</sup>	Options & Accessories
MP=Pulse Start Metal Halide <sup>1</sup>	EB=E&B VertX	ENAV=Enclosed & Gasketed VertX	19=19"	C=Concentrated M=Medium W=Wide	MP 175=175W 200=200W 250=250W 320=320W 350=350W 400=400W 450=450W	MH 175=175W 250=250W 400=400W HP 347V 480V	(See Pages 42-46)
MH=Metal Halide <sup>1</sup>						277V	MT=Multi-Tap wired 277V
ML=Pulse Start Metal Halide (Linear Reactor) <sup>1,2</sup>						347V	TT=Triple-Tap wired 347V
HP=High Pressure Sodium						480V	5T=5-Tap <sup>5</sup>

NOTES: 1 Approved lamp containment barrier required when enclosed rated MP/ML/MH lamps are used. 2005 NEC code requires that open luminaires must utilize a safety glass bottom (SGB) accessory or an Open rated socket (OR) and lamp. 2 277V only, not available with HSW, Q, EM, HL or HC options. 3 Factory set for concentrated, medium or wide distributions only if P (factory pre-set) is in the nomenclature of the fixture. Otherwise shipped in medium setting. 4 Products also available in non-US voltages and 50HZ for international markets. Consult your Cooper Lighting Representative for availability and ordering information. 88% EISA complaint MP fixtures not available in 347V and Triple-tap voltages. 5 88% EISA complaint MP fixtures not available in 5-tap voltages. 6 Specifications and dimensions subject to change without notice.

Reflector Type	Lamp Wattage	Ambient Environment	Supply Wire (Min.)
ENAV19	175-450W	55°C (450W + Up) 65°C (175-400W)	105°C

Lamp Type	Wattage
Pulse Start Metal Halide (MP)	175, 200, 250, 320, 350, 400, 450W
Metal Halide (MH)	175, 250, 400W
High Pressure Sodium (HP)	250, 400W

Voltage Chart	
MT=Multi-Tap	120/208/240/277V (wired 277V)
TT=Triple-Tap	120/277/347V (wired 347V)
5T=5-Tap	120/208/240/277/480V (wired 277V)

# COOPER LIGHTING - LUMARK



## EP ENTERPRISE 22 & 28

**70-450W**  
High Pressure Sodium  
Pulse Start Metal Halide  
Metal Halide

### LOW-BAY INDUSTRIAL LUMINAIRE

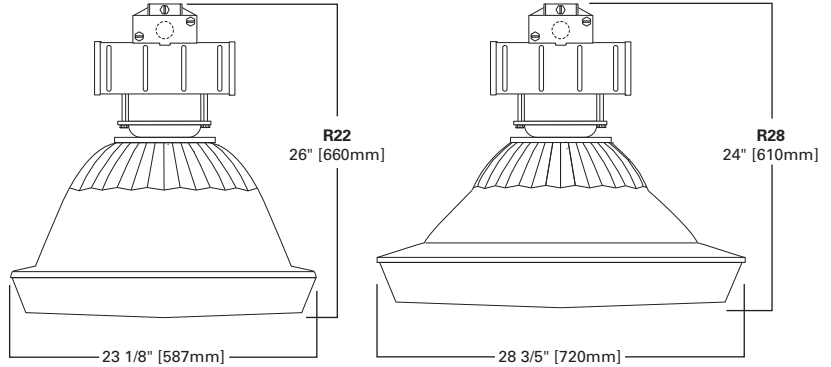
- U.L. listed for damp locations. CSA certified. EISA Compliant
- Easy slide-on die-cast aluminum mounting box with tapped opening for 3/4" conduit
- Heavy-duty, formed steel housing with an open air ballast for cooler operation is finished in a standard white polyester powder paint
- High power factor ballast with class H insulation. Minimum starting temperature is -40°C (-40°F) for HP and -30°C (-20°F) for MH, MP and ML
- Enclosed and gasketed optics seal out dirt and other contaminants
- Mogul-base porcelain socket
- Computer designed, faceted reflector provides maximum photometric performance
- Trunk latches secure the reflector to the housing, allowing toolless entry, while internal hangers hold reflector / refractor for hands-free relamping
- Approximate net weight: 32-35 lbs. (15-16 kgs.)

#### DESCRIPTION

The Enterprise 22" and 28" industrial low-bay luminaire combines a round, faceted reflector with an injection-molded lens to provide an efficient, symmetrical beam pattern. U.L. listed and labeled for damp location. CSA Certified.

The Enterprise 22" and 28" combines durable construction with precise optics for mounting heights below 20'. Perfect for warehouses, foundries, gyms, assembly areas, manufacturing plants and hangars.

#### DIMENSIONS



#### ORDERING INFORMATION

SAMPLE NUMBER: HPEP-R22-250-MT-Q

Lamp Type	Series	Reflector Size	Reflector Type	Lamp Wattage	Voltage <sup>3</sup>	Options & Accessories
MP=Pulse Start Metal Halide	EP=Enterprise	R22=22" R28=28"	___=Acrylic PL=Polycarbonate <sup>2</sup>	MP 70=70W 100=100W 175=175W 200=200W 250=250W 320=320W 350=350W 400=400W 450=450W	MH 175=175W 250=250W 400=400W HP 70=70W 100=100W 150=150W 250=250W 400=400W	120V 208V 240V 277V 347V 480V MT=Multi-Tap wired 277V TT=Triple-Tap wired 347V 5T=5-Tap <sup>4</sup>

NOTES: 1 277V only, not available with HSW, Q, EM, HL or HC options. 2 Not recommended for use with MH lamps due to rapid yellowing typical of polycarbonate material. 3 Products also available in non-US voltages and 50HZ for international markets. Consult your Cooper Lighting Representative for availability and ordering information. 88% EISA compliant MP fixtures not available in 347V and Triple-tap voltages. 4 88% EISA compliant MP fixtures not available in 5-tap voltages. 5 Specifications and dimensions subject to change without notice.

STOCK SAMPLE NUMBER: FM40

Series	Lamp Type	Lamp Wattage	Options
F=Enterprise	P=Pulse Start Metal Halide M=Metal Halide S=High Pressure Sodium	25=250W 32=320W 35=350W 40=400W 40Q=400W and Quartz Restrike 258=250W (Canada, Triple-Tap Ballast) 408=400W (Canada, Triple-Tap Ballast)	5T=5-Tap <sup>1</sup> NL=No Lamp Included

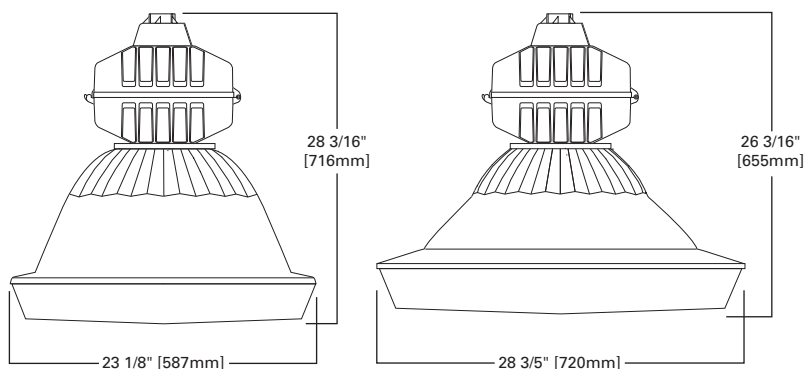
NOTES: 1 88% EISA compliant MP fixtures not available in 5-tap voltages.. Options not available with stock products. Order Accessories as separate items for field installation. Refer to standard ordering information to add options and accessories.

Reflector Type	Lamp Wattage	Ambient Environment	Supply Wire (Min.)
RP22	70-450W	40°C (R22)	90°C
RP28	70-450W	55°C (R28)	

Lamp Type	Wattage
Pulse Start Metal Halide (MP)	70, 100, 175, 200, 250, 320, 350, 400, 450W
Metal Halide (MH)	175, 250, 400W
High Pressure Sodium (HP)	70, 100, 150, 250, 400W

Voltage Chart	
MT=Multi-Tap	120/208/240/277V (wired 277V)
TT=Triple-Tap	120/277/347V (wired 347V)
5T=5-Tap	120/208/240/277/480V (wired 277V)

## DIMENSIONS



## DESCRIPTION

The Benchmark RB utilizes a durable heavy-duty die-cast aluminum ballast housing, a round, faceted reflector and an injection-molded lens to provide an efficient, symmetrical beam pattern. U.L. listed and CSA certified for damp location standard. Wet location optional.

The Benchmark RB is perfect for warehouses, gyms, assembly areas, manufacturing plants and hangars.



## RB LOW-BAY BENCHMARK

**70-450W**  
High Pressure Sodium  
Pulse Start Metal Halide  
Metal Halide

DIE-CAST ALUMINUM  
ROUND LOW-BAY  
HEAVY-DUTY INDUSTRIAL  
LUMINAIRE

## ORDERING INFORMATION

SAMPLE NUMBER: HPRB-RP22-400-MT-LL

Lamp Type	Series	Reflector Type	Reflector Diameter	Lamp Wattage	Voltage <sup>3</sup>	Options & Accessories
MP=Pulse Start Metal Halide	RB=Round Low-Bay Benchmark	RP=Round White Reflector	22=22" 28=28" 28PL=28" w/ Polycarbonate Lens <sup>2</sup>	MP 70=70W 100=100W 175=175W 200=200W 250=250W 320=320W 350=350W 400=400W 450=450W	MH 175=175W 250=250W 400=400W HP 70=70W 100=100W 150=150W 250=250W 400=400W	(See Pages 42-46)
MH=Metal Halide		RA=Round Anodized Reflector			120V 208V 240V 277V 347V 480V	MT=Multi-Tap wired 277V TT=Triple-Tap wired 347V 5T=5-Tap <sup>4</sup>
ML=Pulse Start Metal Halide (Linear Reactor) <sup>1</sup>						
HP=High Pressure Sodium						

NOTES: 1 277V only, not available with HSW, O, EM, HL or HC options. 2 Not recommended for use with MH lamps due to rapid yellowing typical of polycarbonate material. 3 Products also available in non-US voltages and 50HZ for international markets. Consult your Cooper Lighting Representative for availability and ordering information. 88% EISA compliant MP fixtures not available in 347V and Triple-tap voltages. 4 88% EISA compliant MP fixtures not available in 5-tap voltages. 5 Specifications and dimensions subject to change without notice.

- U.L. listed for damp locations. CSA certified. EISA Compliant
- Easy slide-on die-cast aluminum mounting box with tapped opening for 3/4" conduit
- Durable heavy-duty die-cast aluminum housing for lasting performance in the harshest environments. Integrally hinged for ease of maintenance with optional toolless entry. Finished in a standard white polyester powder paint
- High power factor ballast with class H insulation. Minimum starting temperature is -40°C (-40°F) for HP and -30°C (-20°F) for MH, MP and ML
- Enclosed and gasketed optics seal out dirt and other contaminants
- Trunk latches secure the reflector to the housing, allowing toolless entry, while internal hangers hold reflector / refractor for hands-free relamping
- Mogul-base porcelain socket
- Approximate net weight: 33 lbs. (15 kgs.)

Reflector Type	Lamp Wattage	Ambient Environment	Supply Wire (Min.)
RP22	70-450W	55°C (70-450W)	105°C
RP28	70-450W		

Lamp Type	Wattage
Pulse Start Metal Halide (MP)	70, 100, 175, 200, 250, 320, 350, 400, 450W
Metal Halide (MH)	175, 250, 400W
High Pressure Sodium (HP)	70, 100, 150, 250, 400W

Voltage Chart	
MT=Multi-Tap	120/208/240/277V (wired 277V)
TT=Triple-Tap	120/277/347V (wired 347V)
5T=5-Tap	120/208/240/277/480V (wired 277V)

# COOPER LIGHTING - LUMARK



## VF VERTIMARK

### 150-400W

High Pressure Sodium  
Pulse Start Metal Halide  
Metal Halide

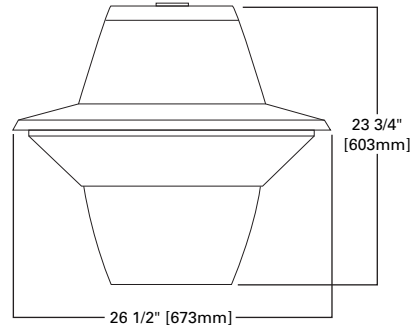
### LOW-BAY INDUSTRIAL LUMINAIRE

- U.L. listed for damp locations. CSA certified. EISA Compliant
- Easy-access wiring chamber cover with 3/4" IPS threaded hub for quick fixture mounting
- Ballast and electrical components are mounted to die-cast aluminum top for cooler operation. High power factor ballast with class H insulation. U.L. Listed for 55° C (131° F) ambient temperature operation. Minimum starting temperature is -40° C (-40° F) for HP and -30° C (-20° F) for MH and MP
- Spun aluminum reflector has internally hinged door for toolless entry into electrical compartment
- Hinged refractor/door assembly has full perimeter silicone gasketing with easy-access thumb screws
- Computer-designed optical system combines a translucent diffuser at the top with a prismatic lens at the bottom for maximum vertical illumination
- Approximate net weight: 45 lbs. (20 kgs.)

### DESCRIPTION

Vertimark is an advanced concept in industrial lighting. Combining a durable die-cast aluminum top and spun-aluminum housing with a computer-designed optical system, the Vertimark is an excellent choice for lighting any area requiring excellent vertical light distribution.

### DIMENSIONS



### ORDERING INFORMATION

SAMPLE NUMBER: HPVF-AL-250-MT-Q

Lamp Type	Series	Lens Type	Lamp Wattage	Voltage <sup>1</sup>	Options & Accessories
MP=Pulse Start Metal Halide MH=Metal Halide HP=High Pressure Sodium	VF=Vertimark	AL=Prismatic Acrylic Lens	MP 175=175W 200=200W 250=250W 320=320W 350=350W 400=400W	MH 175=175W 250=250W 400=400W HP 150=150W 250=250W 400=400W	120V 208V 240V 277V 347V 480V MT=Multi-Tap wired 277V TT=Triple-Tap wired 347V

NOTES: 1 Products also available in non-US voltages and 50HZ for international markets. Consult your Cooper Lighting Representative for availability and ordering information. 88% EISA complaint MP fixtures not available in 347V and Triple-tap voltages. 2 Specifications and dimensions subject to change without notice.

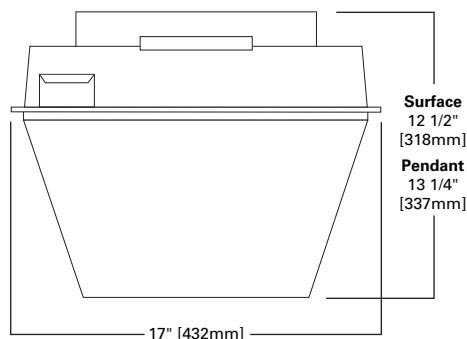
Series	Lamp Wattage	Ambient Environment	Supply Wire (Min.)
Vertimark	150-400W	55°C (150-400W)	105°C

Lamp Type	Wattage
Pulse Start Metal Halide (MP)	175, 200, 250, 320, 350, 400W
Metal Halide (MH)	175, 250, 400W
High Pressure Sodium (HP)	150, 250, 400W

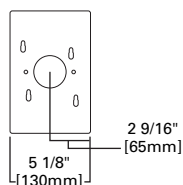
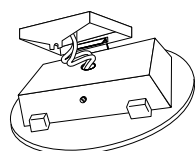
Voltage Chart	
MT=Multi-Tap	120/208/240/277V (wired 277V)
TT=Triple-Tap	120/277/347V (wired 347V)



## DIMENSIONS



## MOUNTING



Once in place, the EZ123 readily accepts the mating half of the hinge and the fixture is easily attached.

P=Mounting Bracket for Surface Mounting or Mounting to 4" J-Box.

## ORDERING INFORMATION

SAMPLE NUMBER: HPBE-5A-100H-MT-LL

<b>Lamp Type</b> MP=Pulse Start Metal Halide MH=Metal Halide HP=High Pressure Sodium <sup>1</sup>	<b>Series</b> BE=Vertimark II	<b>Lens Type</b> 2A=Type II 5A=Type V Polycarbonate <sup>2</sup> 2P=Type II Polycarbonate <sup>2</sup> 5P=Type V Polycarbonate <sup>2</sup>	<b>Lamp Wattage</b> MP 100=100W 175=175W 200=200W 250=250W MH 175=175W 200=200W HP 100=100W 150=150W	<b>Ballast</b> _=Normal Power Factor H=High Power Factor	<b>Voltage</b> <sup>3</sup> 120V 208V 240V 277V 347V 480V <sup>4</sup> MT=Multi-Tap wired 277V TT=Triple-Tap wired 347V	<b>LL=Lamp</b> _=Lamp Included __=Lamp Not Included	<b>Options &amp; Accessories</b> (See Pages 42-46)
--	----------------------------------	---	---	--	---	---	---

NOTES: 1 150W is maximum. 2 Not recommended for use with MH lamps due to rapid yellowing typical of polycarbonate material. 3 Products also available in non-US voltages and 50HZ for international markets. Consult your Cooper Lighting Representative for availability and ordering information. 88% EISA complaint MP fixtures not available in 347V and Triple-tap voltages. 4 Not available with 200 or 250W MP. 5 Specifications and dimensions subject to change without notice.

Series	Lamp Wattage	Ambient Environment	Supply Wire (Min.)
Vertimark II	100-250W	40°C (100-250W)	90°C

Lamp Type	Wattage
Pulse Start Metal Halide (MP)	100, 175, 200, 250W
Metal Halide (MH)	175, 250W
High Pressure Sodium (HP)	100, 150W

## DESCRIPTION

The Vertimark II delivers horizontal and vertical footcandles to evenly illuminate low mounting areas such as parking garages or storage facilities areas. The combination die-cast reflector/ ballast housing makes Vertimark II economical. Modular assembly makes installation easy and quality construction ensures years of consistent performance. U.L. listed and labeled for damp location. CSA Certified. Wet location optional.



## BE VERTIMARK II

**100-250W**  
 High Pressure Sodium  
 Pulse Start Metal Halide  
 Metal Halide

LOW-BAY INDUSTRIAL  
 LUMINAIRE

- U.L. listed for damp locations. CSA certified. EISA Complaint
- Standard quick mounting plate for 3/4" IPS conduit frees both hands to complete wiring
- Die-cast aluminum housing has durable white polyester powder coat finish
- Hinged refractor permits relamping without removal of refractor
- Acrylic prismatic refractor controls light for high vertical and horizontal footcandles
- Removable ballast compartment cover provides easy internal access
- Optional "P" mounting bracket fits a standard 4" J-Box or outlet box for surface mounting
- Approximate net weight: 7 lbs. (8 kgs.)

Voltage Chart	
MT=Multi-Tap	120/208/240/277V (wired 277V)
TT=Triple-Tap	120/277/347V (wired 347V)

# COOPER LIGHTING - LUMARK



## SG 16" & 21" PRISMATIC GLASS HIGH-BAY

### 175-1000W

High Pressure Sodium  
Pulse Start Metal Halide  
Metal Halide

PRISMATIC GLASS  
HIGH-BAY INDUSTRIAL  
LUMINAIRE

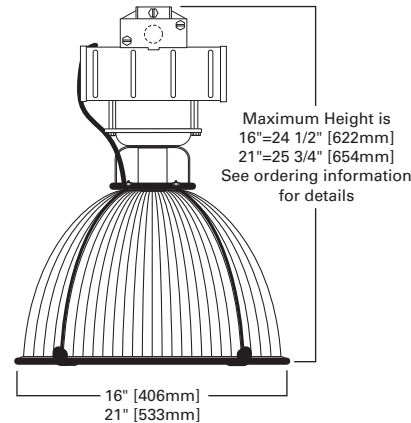
- U.L. listed for damp locations. CSA certified. EISA Compliant
- Easy slide-on die-cast aluminum mounting box with tapped opening for 3/4" conduit
- Heavy-duty, formed steel housing with an open air ballast for cooler operation is finished in a standard white polyester powder paint
- High power factor ballast with class H insulation. Minimum starting temperature is -40°C (-40°F) for HP and -30°C (-20°F) for MH, MP and ML
- Safety cable attached from housing to refractor standard
- Universal ladder brackets allow for the flexibility to change out with other reflectors / refractors available in acrylic or aluminum
- Field adjustable shock- and impact-resistant borosilicate glass refractor. Zinc-plated wire form with optional safety glass bottom for durable performance
- Approximate net weight: 51 lbs. (23 kgs.)

## DESCRIPTION

The Steeler SG Prismatic Glass Series combines the popular Steeler ballast housing with shock- and impact-resistant prismatic borosilicate glass reflectors for maximum durability and photometric performance. U.L. listed and labeled for damp location. CSA Certified.

The Steeler SG is perfect for manufacturing and assembly areas, retail stores, wholesale warehouses, grocery chains, malls and auto service areas, where up light is desired.

## DIMENSIONS



## ORDERING INFORMATION

SAMPLE NUMBER: HPSG-GR16-M-400-MT-Q

Lamp Type	Series	Refractor Type	Refractor Diameter	Distribution <sup>3</sup>	Lamp Wattage	Voltage <sup>4</sup>	Options & Accessories
MP=Pulse Start Metal Halide <sup>1</sup>	SG=Steeler Glass	GR=Glass Refractor	16=16" 21=21"	C=Concentrated M=Medium W=Wide	MP 175=175W 200=200W 250=250W 320=320W 350=350W 400=400W 450=450W 750=750W 1000=1000W	MH 175=175W 250=250W 400=400W 1000=1000W HP 250=250W 400=400W 600=600W 750=750W	120V 208V 240V 277V 347V 480V MT=Multi-Tap wired 277V TT=Triple-Tap wired 347V 5T=5-Tap <sup>5</sup>
MH=Metal Halide <sup>1</sup>							(See Pages 42-46)
ML=Pulse Start Metal Halide (Linear Reactor) <sup>1,2</sup>							
HP=High Pressure Sodium							

**NOTES:** 1 Approved lamp containment barrier required when enclosed rated MP/ML/MH lamps are used. 2005 NEC code requires that open luminaires must utilize a safety glass bottom (SGB) accessory or an Open rated socket (OR) and lamp. 2 277V only, not available with HSW, Q, EM, HL or HC options. 3 Factory set for concentrated, medium or wide distributions only if P (factory pre-set) is in the nomenclature of the fixture. Otherwise shipped in medium setting.

4 Products also available in non-US voltages and 50HZ for international markets. Consult your Cooper Lighting Representative for availability and ordering information. 88% EISA compliant MP fixtures not available in 347V and Triple-tap voltages. 5 88% EISA compliant MP fixtures not available in 5-tap voltages. 6 Specifications and dimensions subject to change without notice.

Refractor Type	Lamp Wattage	Ambient Environment	Supply Wire (Min.)
GR16	150-400W	55°C (450W + Up)	90°C
GR21	400-1000W*	65°C (150-400W)	

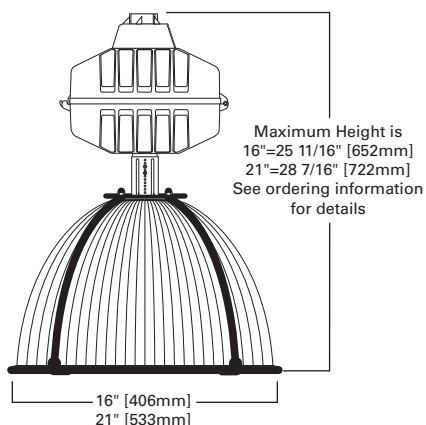
NOTES: \* 1000W requires BT37 lamp.

Lamp Type	Wattage
Pulse Start Metal Halide (MP)	175, 200, 250, 320, 350, 400, 750, 1000W
Metal Halide (MH)	175, 250, 400, 1000W
High Pressure Sodium (HP)	250, 400, 600, 750W

### Voltage Chart

MT=Multi-Tap	120/208/240/277V (wired 277V)
TT=Triple-Tap	120/277/347V (wired 347V)
5T=5-Tap	120/208/240/277/480V (wired 277V)

## DIMENSIONS



## DESCRIPTION

The Benchmark GB Prismatic Glass Series utilizes a durable heavy-duty die-cast aluminum ballast housing and shock- and impact-resistant borosilicate glass reflector system for specification-level performance. U.L. listed and CSA certified. Damp location standard.

The Benchmark GB Prismatic Glass Series is perfect for high-bay applications such as manufacturing, gymnasiums, hangars, assembly, auto service areas and retail stores where up light is desired.



## GB 16" & 21" PRISMATIC GLASS BENCHMARK

**175-1000W**  
High Pressure Sodium  
Pulse Start Metal Halide  
Metal Halide

DIE-CAST ALUMINUM  
PRISMATIC GLASS  
HIGH-BAY HEAVY-DUTY  
INDUSTRIAL LUMINAIRE

## ORDERING INFORMATION

SAMPLE NUMBER: HPGB-GR16-M-400-MT-Q

Lamp Type	Series	Reflector Type	Reflector Diameter	Distribution <sup>3</sup>	Lamp Wattage	Voltage <sup>5</sup>	Options & Accessories
MP=Pulse Start Metal Halide <sup>1</sup>	GB=Glass Benchmark	GR=Glass Refractor	16=16" 21=21"	C=Concentrated M=Medium W=Wide	MP 175=175W 200=200W 250=250W 320=320W 350=350W 400=400W 450=450W 750=750W 1000=1000W <sup>4</sup>	120V 208V 240V 277V 347V 480V	(See Pages 42-46)
MH=Metal Halide <sup>1</sup>					MH 175=175W 250=250W 400=400W 1000=1000W <sup>4</sup>		
ML=Pulse Start Metal Halide (Linear Reactor) <sup>1,2</sup>					ML 175=175W 250=250W 400=400W 1000=1000W <sup>4</sup>		
HP=High Pressure Sodium					HP 250=250W 400=400W 600=600W 750=750W	MT=Multi-Tap wired 277V TT=Triple-Tap wired 347V 5T=5-Tap <sup>6</sup>	

NOTES: 1 Approved lamp containment barrier required when enclosed rated MP/ML/MH lamps are used. 2005 NEC code requires that open luminaires must utilize a safety glass bottom (SGB) accessory or an Open rated socket (OR) and lamp. 2 277V only, not available with HSW, Q, EM, HL or HC options. 3 Factory set for concentrated, medium or wide distributions only if P (factory pre-set) is in the nomenclature of the fixture. Otherwise shipped in medium setting. 4 Requires reduced envelope BT-37 lamp for MH. 5 Products also available in non-US voltages and 50HZ for international markets. Consult your Cooper Lighting Representative for availability and ordering information. 88% EISA compliant MP fixtures not available in 347V and Triple-tap voltages. 6 88% EISA compliant MP fixtures not available in 5-tap voltages. 7 Specifications and dimensions subject to change without notice.

- U.L. listed for damp locations. CSA certified. EISA Compliant
- Easy slide-on die-cast aluminum mounting box with tapped opening for 3/4" conduit
- Durable heavy-duty die-cast aluminum housing for lasting performance in the harshest environments. Integrally hinged for ease of maintenance with optional toolless entry. Finished in a standard white polyester powder paint
- High power factor ballast with class H insulation. Minimum starting temperature is -40°C (-40°F) for HP and -30°C (-20°F) for MH, MP and ML
- Universal ladder brackets allow for the flexibility to change out with other reflectors /refractors available in acrylic or spun aluminum
- Field adjustable shock- and impact-resistant borosilicate glass refractor. Zinc-plated wire form with optional safety glass bottom for durable performance
- Approximate net weight: 68 lbs. (31 kgs.)

Reflector Type	Lamp Wattage	Ambient Environment	Supply Wire (Min.)
GR16	150-400W	55°C (450W + Up)	105°C
GR21	400-1000W*	65°C (150-400W)	

NOTES: \* 1000W requires BT37 lamp.

Lamp Type	Wattage
Pulse Start Metal Halide (MP)	175, 200, 250, 320, 350, 400, 750, 1000W
Metal Halide (MH)	175, 250, 400, 1000W
High Pressure Sodium (HP)	250, 400, 600, 750W

Voltage Chart	
MT=Multi-Tap	120/208/240/277V (wired 277V)
TT=Triple-Tap	120/277/347V (wired 347V)
5T=5-Tap	120/208/240/277/480V (wired 277V)

# COOPER LIGHTING - LUMARK



## SE 16" & 21" E&G GLASS STEELER

**175-1000W**  
High Pressure Sodium  
Pulse Start Metal Halide  
Metal Halide

ENCLOSED & GASKETED  
GLASS HIGH-BAY  
INDUSTRIAL LUMINAIRE

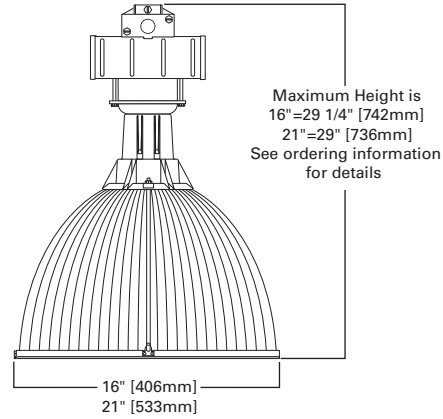
- U.L. listed for damp locations. CSA certified. EISA Compliant
- Easy slide-on die-cast aluminum mounting box with tapped opening for 3/4" conduit
- Heavy-duty, formed steel housing with an open air ballast for cooler operation is finished in a standard white polyester powder paint
- High power factor ballast with class H insulation. Minimum starting temperature is -40°C (-40°F) for HP and -30°C (-20°F) for MH, MP and ML
- Die-cast aluminum neck with staggered mounting bosses for eight-position adjustability of the socket which provides a variety of distributions from concentrated to wide
- Field adjustable shock- and impact-resistant borosilicate glass refractor. Zinc-plated wire form with optional safety glass bottom for durable performance
- Mogul-base porcelain socket
- Approximate net weight: 77 lbs. (35 kgs.)

### DESCRIPTION

The Enclosed and Gasketed Glass Steeler utilizes a 16" and 21" borosilicate glass refractor system for maximum performance. It features a cast aluminum neck for superior strength and a hinged door frame with latches for access to the lamp without tools. The Enclosed and Gasketed Glass Steeler is fully enclosed and gasketed at three (3) separate points to prevent entry of external contaminants. U.L. listed and CSA Certified for damp locations.

The Enclosed and Gasketed Glass Steeler is perfect for textile mills, hangars, assembly and auto service areas.

### DIMENSIONS



### ORDERING INFORMATION

SAMPLE NUMBER: HPSE-ENGR16-M-400-MT-Q

Lamp Type	Series	Refractor Type	Refractor Diameter	Distribution <sup>3</sup>	Lamp Wattage	Voltage <sup>5</sup>	Options & Accessories
MP=Pulse Start Metal Halide <sup>1</sup>	SE=E&G Steeler	ENGR=Enclosed & Gasketed Glass Refractor	16=16" 21=21"	C=Concentrated M=Medium W=Wide	MP 175=175W 200=200W 250=250W 320=320W 350=350W 400=400W 450=450W 750=750W 1000=1000W <sup>4</sup>	MH 175=175W 250=250W 400=400W HP 1000=1000W <sup>4</sup>	(See Pages 42-46)
ML=Pulse Start Metal Halide (Linear Reactor) <sup>1,2</sup>						277V 347V 480V	MT=Multi-Tap wired 277V
HP=High Pressure Sodium						TT=Triple-Tap wired 347V 5T=5-Tap <sup>6</sup>	

**NOTES:** 1 Approved lamp containment barrier required when enclosed rated MP/ML/MH lamps are used. 2005 NEC code requires that open luminaires must utilize a safety glass bottom (SGB) accessory or an Open rated socket (OR) and lamp. 2 277V only, not available with HSW, Q, EM, HL or HC options. 3 Factory set for concentrated, medium or wide distributions only if P (factory pre-set) is in the nomenclature of the fixture. Otherwise shipped in medium setting. 4 Requires reduced envelope BT-37 lamp for MH. 5 Products also available in non-US voltages and 50HZ for international markets. Consult your Cooper Lighting Representative for availability and ordering information. 88% EISA compliant MP fixtures not available in 347V and Triple-tap voltages. 6 88% EISA compliant MP fixtures not available in 5-tap voltages. 7 Specifications and dimensions subject to change without notice.

Refractor Type	Lamp Wattage	Ambient Environment	Supply Wire (Min.)
ENGR16	175-400W	55°C (450W + Up)	90°C
ENGR21	400-1000W*	65°C (175-400W)	

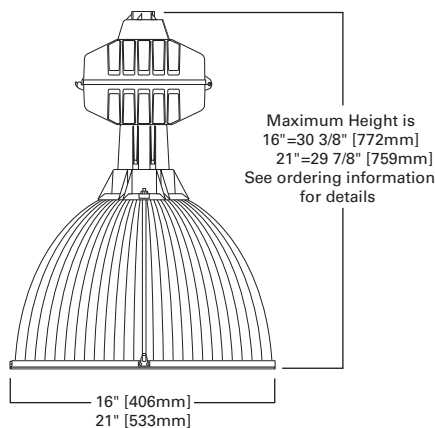
NOTES: \* 1000W requires BT37 lamp.

Lamp Type	Wattage
Pulse Start Metal Halide (MP)	175, 200, 250, 320, 350, 400, 750, 1000W
Metal Halide (MH)	175, 250, 400, 1000W
High Pressure Sodium (HP)	250, 400, 600, 750W

#### Voltage Chart

MT=Multi-Tap	120/208/240/277V (wired 277V)
TT=Triple-Tap	120/277/347V (wired 347V)
5T=5-Tap	120/208/240/277/480V (wired 277V)

## DIMENSIONS



## DESCRIPTION

The Enclosed and Gasketed Glass Benchmark utilizes a 16" and 21" borosilicate glass refractor system for maximum performance. It features a cast aluminum neck for superior strength and a hinged door frame with latches for access to the lamp without tools. The Enclosed and Gasketed Glass is fully enclosed and gasketed at three (3) separate points to prevent entry of external contaminants. U.L. listed and CSA Certified for damp locations with optional wet location.

The Enclosed and Gasketed Glass Benchmark is perfect for textile mills, hangars, assembly and auto service areas.



## EB 16" & 21" E&G GLASS BENCHMARK

**175-1000W**  
High Pressure Sodium  
Pulse Start Metal Halide  
Metal Halide

ENCLOSED & GASKETED  
GLASS HIGH-BAY  
HEAVY-DUTY INDUSTRIAL  
LUMINAIRE

## ORDERING INFORMATION

SAMPLE NUMBER: HPEB-ENGR16-M-400-MT-Q

Lamp Type	Series	Refractor Type	Refractor Diameter	Distribution <sup>2</sup>	Lamp Wattage	Voltage <sup>4</sup>	Options & Accessories	
MP=Pulse Start Metal Halide	EB=E&G Benchmark	ENGR=Enclosed & Gasketed Glass Refractor	16=16" 21=21"	C=Concentrated M=Medium W=Wide	MP 175=175W 200=200W 250=250W 320=320W 350=350W 400=400W 450=450W 750=750W 1000=1000W <sup>3</sup>	MH 175=175W 250=250W 400=400W 1000=1000W <sup>3</sup> HP 250=250W 400=400W 600=600W 750=750W	120V 208V 240V 277V 347V 480V MT=Multi-Tap wired 277V TT=Triple-Tap wired 347V 5T=5-Tap <sup>5</sup>	(See Pages 42-46)

NOTES: 1 277V only, not available with HSW, Q, EM, HL or HC options. 2 Factory set for concentrated, medium or wide distributions only if P (factory pre-set) is in the nomenclature of the fixture. Otherwise shipped in medium setting. 3 Requires reduced envelope BT-37 lamp for MH. 4 Products also available in non-US voltages and 50HZ for international markets. Consult your Cooper Lighting Representative for availability and ordering information. 88% EISA complaint MP fixtures not available in 347V and Triple-tap voltages. 5 88% EISA complaint MP fixtures not available in 5-tap voltages. 6 Specifications and dimensions subject to change without notice.

Refractor Type	Lamp Wattage	Ambient Environment	Supply Wire (Min.)
ENGR16	175-400W	55°C (450W + Up)	105°C
ENGR21	400-1000W*	65°C (175-400W)	

NOTES: \* 1000W requires BT37 lamp.

Lamp Type	Wattage
Pulse Start Metal Halide (MP)	175, 200, 250, 320, 350, 400, 750, 1000W
Metal Halide (MH)	175, 250, 400, 1000W
High Pressure Sodium (HP)	250, 400, 600, 750W

Voltage Chart	
MT=Multi-Tap	120/208/240/277V (wired 277V)
TT=Triple-Tap	120/277/347V (wired 347V)
5T=5-Tap	120/208/240/277/480V (wired 277V)

- U.L. listed for damp locations. CSA certified. EISA Compliant
- Easy slide-on die-cast aluminum mounting box with tapped opening for 3/4" conduit
- Durable heavy-duty die-cast aluminum housing for lasting performance in the harshest environments. Integrally hinged for ease of maintenance with optional toolless entry. Finished in a standard white polyester powder paint
- High power factor ballast with class H insulation. Minimum starting temperature is -40°C (-40°F) for HP and -30°C (-20°F) for MH, MP and ML
- Die-cast aluminum neck with staggered mounting bosses for eight-position adjustability of the socket which provides a variety of distributions from concentrated to wide
- Field adjustable shock- and impact-resistant borosilicate glass refractor. Zinc-plated wire form with optional safety glass bottom for durable performance
- Approximate net weight: 79 lbs. (36 kgs.)

# COOPER LIGHTING - LUMARK



## SS 16", 22" & 25" PRISMATIC HIGH-BAY

### 175-1000W

High Pressure Sodium  
Pulse Start Metal Halide  
Metal Halide

### PRISMATIC HIGH-BAY INDUSTRIAL LUMINAIRE

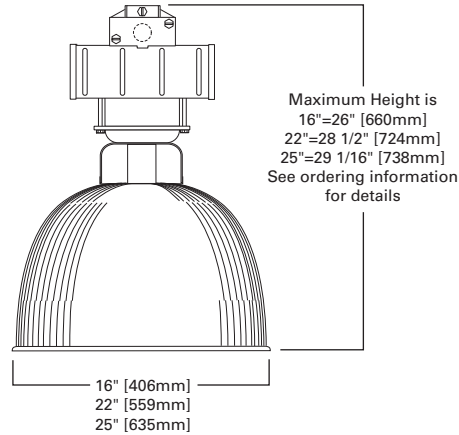
- U.L. listed for damp locations. CSA certified. EISA Compliant
- Easy slide-on die-cast aluminum mounting box with tapped opening for 3/4" conduit
- Heavy-duty, formed steel housing with an open air ballast for cooler operation is finished in a standard white polyester powder paint
- High power factor ballast with class H insulation. Minimum starting temperature is -40°C (-40°F) for HP and -30°C (-20°F) for MH, MP and ML
- Universal ladder brackets allow for the flexibility to change out with other reflectors / refractors available in aluminum or glass
- Mogul-base porcelain socket
- Easily mounted prismatic acrylic refractor has multiple field-adjustable distribution patterns for precision control
- Approximate net weight: 30 lbs. (14 kgs.)

### DESCRIPTION

The Prismatic high-bay combines the popular Steeler ballast housing with an acrylic reflector for maximum durability and photometric performance. U.L. listed and labeled for damp location. CSA Certified.

The Prismatic high-bay is perfect for retail stores, wholesale warehouses, grocery chains, malls and auto showrooms.

### DIMENSIONS



### ORDERING INFORMATION

SAMPLE NUMBER: HPSS-PD16-M-250-MT-Q

Lamp Type	Series	Refractor Type	Refractor Diameter	Distribution <sup>3</sup>	Lamp Wattage	Voltage <sup>4</sup>	Options & Accessories
MP=Pulse Start Metal Halide <sup>1</sup>	SS=Steeler	PD=Prismatic Acrylic	16"=16" 22"=22" 25"=25"	C=Concentrated M=Medium W=Wide	MP 175=175W 200=200W 250=250W 320=320W 350=350W 400=400W 450=450W 750=750W 1000=1000W	MH 175=175W 250=250W 400=400W 1000=1000W HP 250=250W 400=400W 600=600W 750=750W	(See Pages 42-46) 240V 277V 347V 480V MT=Multi-Tap wired 277V TT=Triple-Tap wired 347V 5T=5-Tap <sup>5</sup>

NOTES: 1 Approved lamp containment barrier required when enclosed rated MP/ML/MH lamps are used. 2005 NEC code requires that open luminaires must utilize a safety glass bottom (SGB) accessory or an Open rated socket (OR) and lamp. 2 277V only, not available with HSW, Q, EM, HL or HC options. 3 Factory set for concentrated, medium or wide distributions only if P (factory pre-set) is in the nomenclature of the fixture. Otherwise shipped in medium setting. 4 Products also available in non-US voltages and 50HZ for international markets. Consult your Cooper Lighting Representative for availability and ordering information. 88% EISA compliant MP fixtures not available in 347V and Triple-tap voltages. 5 88% EISA compliant MP fixtures not available in 5-tap voltages. 6 Specifications and dimensions subject to change without notice.

Refractor Type	Lamp Wattage	Ambient Environment	Supply Wire (Min.)
PD16	175-400W	40°C (Enclosed)* 55°C (Open)	90°C
PD22	175-450W		
PD25	400-1000W		

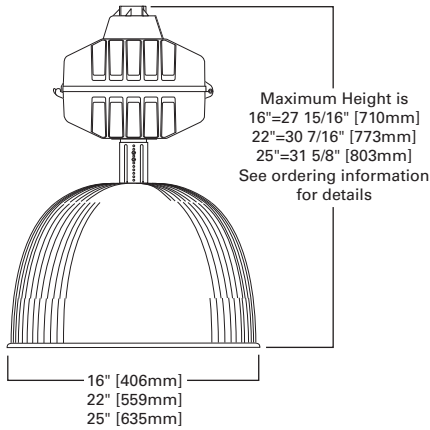
NOTES: \* PD16 enclosed is 250W maximum. PD25 enclosed is 400W only.

Lamp Type	Wattage
Pulse Start Metal Halide (MP)	175, 200, 250, 320, 350, 400, 750, 1000W
Metal Halide (MH)	175, 250, 400, 1000W
High Pressure Sodium (HP)	250, 400, 600, 750W

### Voltage Chart

MT=Multi-Tap	120/208/240/277V (wired 277V)
TT=Triple-Tap	120/277/347V (wired 347V)
5T=5-Tap	120/208/240/277/480V (wired 277V)

## DIMENSIONS



## DESCRIPTION

The BenchMark HB prismatic high-bay utilizes a durable heavy-duty die-cast aluminum ballast housing and prismatic acrylic reflector for maximum durability and photometric performance. U.L. listed and CSA certified. Damp location standard.

The BenchMark HB prismatic high-bay is perfect for retail stores, wholesale warehouses, grocery chains, malls and auto showrooms.



## HB 16", 22" & 25" PRISMATIC BENCHMARK

**175-1000W**

High Pressure Sodium  
Pulse Start Metal Halide  
Metal Halide

DIE-CAST ALUMINUM  
PRISMATIC HIGH-BAY  
HEAVY-DUTY INDUSTRIAL  
LUMINAIRE

## ORDERING INFORMATION

SAMPLE NUMBER: HPHB-PD16-M-250-MT-Q

Lamp Type	Series	Reflector Type	Reflector Diameter	Distribution <sup>3</sup>	Lamp Wattage	Voltage <sup>4</sup>	Options & Accessories	
MP=Pulse Start Metal Halide <sup>1</sup>	HB=High-Bay BenchMark	PD=Prismatic Acrylic	16=16" 22=22" 25=25"	C=Concentrated M=Medium W=Wide	MP 175=175W 200=200W 250=250W 320=320W 350=350W 400=400W 450=450W 750=750W 1000=1000W	MH 175=175W 250=250W 400=400W 1000=1000W HP 250=250W 400=400W 600=600W 750=750W	120V 208V 240V 277V 347V 480V MT=Multi-Tap wired 277V TT=Triple-Tap wired 347V 5T=5-Tap <sup>5</sup>	(See Pages 42-46)
MH=Metal Halide <sup>1</sup>								
ML=Pulse Start Metal Halide (Linear Reactor) <sup>1,2</sup>								
HP=High Pressure Sodium								

NOTES: 1 Approved lamp containment barrier required when enclosed rated MP/ML/MH lamps are used. 2005 NEC code requires that open luminaires must utilize a safety glass bottom (SGB) accessory or an Open rated socket (OR) and lamp. 2 277V only, not available with HSW, Q, EM, HL or HC options. 3 Factory set for concentrated, medium or wide distributions only if P (factory pre-set) is in the nomenclature of the fixture. Otherwise shipped in medium setting. 4 Products also available in non-US voltages and 50HZ for international markets. Consult your Cooper Lighting Representative for availability and ordering information. 88% EISA compliant MP fixtures not available in 347V and Triple-tap voltages. 5 88% EISA compliant MP fixtures not available in 5-tap voltages. 6 Specifications and dimensions subject to change without notice.

- Easy slide-on die-cast aluminum mounting box with tapped opening for 3/4" conduit
- Durable heavy-duty die-cast aluminum housing for lasting performance in the harshest environments. Integrally hinged for ease of maintenance with optional toolless entry. Finished in a standard white polyester powder paint
- High power factor ballast with class H insulation. Minimum starting temperature is -40°C (-40°F) for HP and -30°C (-20°F) for MH, MP and ML
- Universal ladder brackets allow for the flexibility to change out with other reflectors / refractors available in aluminum or glass
- Mogul-base porcelain socket
- Easily mounted prismatic acrylic refractor has multiple field-adjustable distribution patterns for precision control
- Approximate net weight: 37 lbs. (17 kgs.)

Reflector Type	Lamp Wattage	Ambient Environment	Supply Wire (Min.)
PD16	175-400W	55°C (Open) or 40°C (Enclosed)*	105°C
PD22	175-450W		
PD25	400-1000W		

NOTES: \* PD16 enclosed is 250W only. PD25 enclosed is 400W only.

Lamp Type	Wattage
Pulse Start Metal Halide (MP)	175, 200, 250, 320, 350, 400, 450, 750, 1000W
Metal Halide (MH)	175, 250, 400, 1000W
High Pressure Sodium (HP)	250, 400, 600, 750W

Voltage Chart	
MT=Multi-Tap	120/208/240/277V (wired 277V)
TT=Triple-Tap	120/277/347V (wired 347V)
5T=5-Tap	120/208/240/277/480V (wired 277V)

# COOPER LIGHTING - LUMARK



## SE 22" E&G PRISMATIC ACRYLIC STEELER

### 175-400W

High Pressure Sodium  
Pulse Start Metal Halide  
Metal Halide

ENCLOSED & GASKETED  
PRISMATIC ACRYLIC  
HIGH-BAY INDUSTRIAL  
LUMINAIRE

- U.L. listed for damp locations. CSA certified. EISA Compliant
- Easy slide-on die-cast aluminum mounting box with tapped opening for 3/4" conduit
- Heavy-duty, formed steel housing with an open air ballast for cooler operation is finished in a standard white polyester powder paint
- High power factor ballast with class H insulation. Minimum starting temperature is -40°C (-40°F) for HP and -30°C (-20°F) for MH, MP and ML
- Die-cast aluminum neck with staggered mounting bosses for eight-position adjustability of the socket which provides a variety of distributions from concentrated to wide
- Prismatic acrylic refractor provides maximum photometric performance and beam efficiency. The system is completely enclosed and gasketed at three (3) points: door to refractor, refractor to neck, and neck to housing
- Clear tempered glass or prismatic acrylic drop lens
- Approximate net weight: 48 lbs. (18 kgs.)

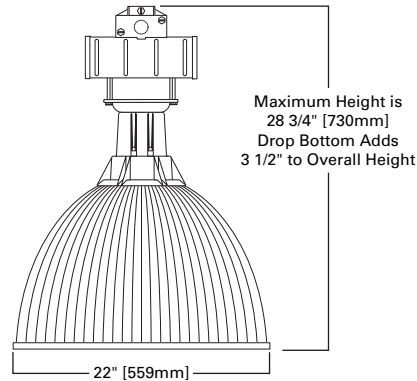
COOPER LIGHTING

### DESCRIPTION

The Enclosed and Gasketed Prismatic Acrylic Steeler utilizes a refractor system for maximum performance. It features a cast aluminum neck for superior strength and a hinged door frame with latches for access to the lamp without tools. The unit is fully enclosed and gasketed at three separate points to prevent entry of external contaminants. U.L. listed and CSA Certified for damp locations.

The Enclosed and Gasketed Prismatic Acrylic Steeler is perfect for retail, hangars, assembly and auto service areas.

### DIMENSIONS



### ORDERING INFORMATION

SAMPLE NUMBER: HPSE-ENPD22-M-400-MT-Q

Lamp Type	Series	Refractor Type	Refractor Diameter	Distribution <sup>3</sup>	Lamp Wattage	Voltage <sup>4</sup>	Options & Accessories
MP=Pulse Start Metal Halide <sup>1</sup>	SE=E&G Steeler	ENPD=Enclosed & Gasketed Prismatic Acrylic Refractor	22=22"	C=Concentrated M=Medium W=Wide	MP 175=175W 200=200W 250=250W 320=320W 350=350W 400=400W	MH 175=175W 250=250W 400=400W HP 250=250W 400=400W	(See Pages 42-46) 347V 480V MT=Multi-Tap wired 277V TT=Triple-Tap wired 347V 5T=5-Tap <sup>5</sup>
MH=Metal Halide <sup>1</sup>							
ML=Pulse Start Metal Halide (Linear Reactor) <sup>1,2</sup>							
HP=High Pressure Sodium							

NOTES: 1 Approved lamp containment barrier required when enclosed rated MP/ML/MH lamps are used. 2 277V only, not available with HSW, O, EM, HL or HC options. 3 Factory set for concentrated, medium or wide distributions only if P (factory pre-set) is in the nomenclature of the fixture. Otherwise shipped in medium setting. 4 Products also available in non-US voltages and 50HZ for international markets. Consult your Cooper Lighting Representative for availability and ordering information. 88% EISA compliant MP fixtures not available in 347V and Triple-tap voltages. 5 88% EISA compliant MP fixtures not available in 5-tap voltages. 6 Specifications and dimensions subject to change without notice.

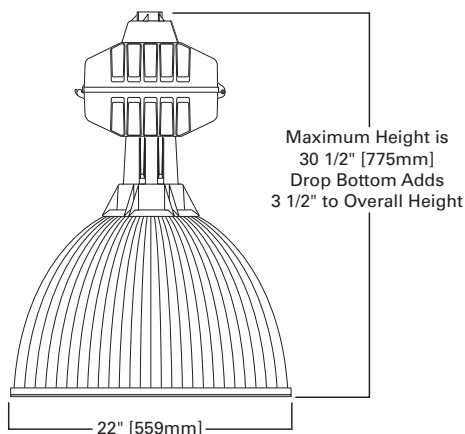
Refractor Type	Lamp Wattage	Ambient Environment	Supply Wire (Min.)
ENPD22	175-400W	40°C	90°C

Lamp Type	Wattage
Pulse Start Metal Halide (MP)	175, 200, 250, 320, 350, 400W
Metal Halide (MH)	175, 250, 400W
High Pressure Sodium (HP)	250, 400W

Voltage Chart	
MT=Multi-Tap	120/208/240/277V (wired 277V)
TT=Triple-Tap	120/277/347V (wired 347V)
5T=5-Tap	120/208/240/277/480V (wired 277V)



## DIMENSIONS



## DESCRIPTION

The Enclosed and Gasketed Prismatic Acrylic Benchmark utilizes a refractor system for maximum performance. It features a cast aluminum neck for superior strength and a hinged door frame with latches for access to the lamp without tools. The unit is fully enclosed and gasketed at three separate points to prevent entry of external contaminants. U.L. listed and CSA Certified for damp locations.

The Enclosed and Gasketed Prismatic Acrylic Benchmark is perfect for retail, hangars, assembly and auto service areas.



## EB 22" E&G PRISMATIC ACRYLIC BENCHMARK

**175-400W**  
High Pressure Sodium  
Pulse Start Metal Halide  
Metal Halide

ENCLOSED & GASKETED  
PRISMATIC HIGH-BAY  
HEAVY-DUTY INDUSTRIAL  
LUMINAIRE

## ORDERING INFORMATION

SAMPLE NUMBER: HPEB-ENPD22-M-400-MT-Q

Lamp Type	Series	Refractor Type	Refractor Diameter	Distribution <sup>3</sup>	Lamp Wattage	Voltage <sup>4</sup>	Options & Accessories
MP=Pulse Start Metal Halide <sup>1</sup> MH=Metal Halide <sup>1</sup> ML=Pulse Start Metal Halide (Linear Reactor) <sup>1,2</sup> HP=High Pressure Sodium	EB=E&G Benchmark	ENPD=Enclosed & Gasketed Prismatic Acrylic Refractor	22=22"	C=Concentrated M=Medium W=Wide	<b>MP</b> 175=175W 200=200W 250=250W 320=320W 350=350W 400=400W <b>MH</b> 175=175W 250=250W 400=400W <b>HP</b> 250=250W 400=400W	120V 208V 240V 277V 347V 480V MT=Multi-Tap wired 277V TT=Triple-Tap wired 347V 5T=5-Tap <sup>5</sup>	(See Pages 42-46)

NOTES: **1** Approved lamp containment barrier required when enclosed rated MP/ML/MH lamps are used. 2005 NEC code requires that open luminaires must utilize a safety glass bottom (SGB) accessory or an Open rated socket (OR) and lamp. **2** 277V only, not available with HSW, Q, EM, HL or HC options. **3** Factory set for concentrated, medium or wide distributions only if P (factory pre-set) is in the nomenclature of the fixture. Otherwise shipped in medium setting. **4** Products also available in non-US voltages and 50HZ for international markets. Consult your Cooper Lighting Representative for availability and ordering information. 88% EISA compliant MP fixtures not available in 347V and Triple-tap voltages. **5** 88% EISA compliant MP fixtures not available in 5-tap voltages. **6** Specifications and dimensions subject to change without notice.

- U.L. listed for damp locations. CSA certified. EISA Compliant
- Easy slide-on die-cast aluminum mounting box with tapped opening for 3/4" conduit
- Durable heavy-duty die-cast aluminum housing for lasting performance in the harshest environments. Integrally hinged for ease of maintenance with optional toolless entry. Finished in a standard white polyester powder paint
- High power factor ballast with class H insulation. Minimum starting temperature is -40°C (-40°F) for HP and -30°C (-20°F) for MH, MP and ML
- Die-cast aluminum neck with staggered mounting bosses for eight-position adjustability of the socket which provides a variety of distributions from concentrated to wide
- Clear tempered glass lens in an extruded aluminum hinged door frame with latches allows access for relamping without tools
- Approximate net weight: 48 lbs. (21 kgs.)

Refractor Type	Lamp Wattage	Ambient Environment	Supply Wire (Min.)
ENPD22	175-400W	40°C	105°C

Lamp Type	Wattage
Pulse Start Metal Halide (MP)	175, 200, 250, 320, 350, 400W
Metal Halide (MH)	175, 250, 400W
High Pressure Sodium (HP)	250, 400W

Voltage Chart	
MT=Multi-Tap	120/208/240/277V (wired 277V)
TT=Triple-Tap	120/277/347V (wired 347V)
5T=5-Tap	120/208/240/277/480V (wired 277V)

# COOPER LIGHTING - LUMARK



## SS 22" ENHANCED REFRACTOR HIGH-BAY

### 175-400W

High Pressure Sodium  
Pulse Start Metal Halide  
Metal Halide

### ENHANCED REFRACTOR HIGH-BAY INDUSTRIAL LUMINAIRE

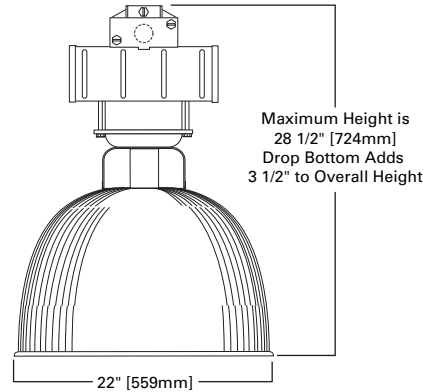
- U.L. listed for damp locations. CSA certified. EISA Compliant
- Easy slide-on die-cast aluminum mounting box with tapped opening for 3/4" conduit
- Heavy-duty, formed steel housing with an open air ballast for cooler operation is finished in a standard white polyester powder paint
- High power factor ballast with class H insulation. Minimum starting temperature is -40°C (-40°F) for HP and -30°C (-20°F) for MH, MP and ML
- Mogul-base porcelain socket
- Universal ladder brackets allow for the flexibility to change out with other reflectors / refractors available in spun aluminum
- Easily mounted microcellular prismatic acrylic refractor has multiple field adjustable distribution patterns for precision control without the glare of traditional clear acrylics
- Approximate net weight: 29 lbs. (13 kgs.)

### DESCRIPTION

The Enhanced Refractor high-bay combines the popular Steeler ballast housing with a microcellular translucent white acrylic refractor. This technology provides architectural appeal and improved lighting performance at higher ambient ratings. U.L. Listed and CSA certified for damp locations.

The Enhanced Refractor high-bay is perfect for architectural applications like retail stores, wholesale warehouses, grocery chains, malls, and auto show rooms.

### DIMENSIONS



### ORDERING INFORMATION

SAMPLE NUMBER: HPSS-ER22-M-400-MT-Q

Lamp Type	Series	Refractor Type	Refractor Diameter	Distribution <sup>3</sup>	Lamp Wattage	Voltage <sup>4</sup>	Options & Accessories
MP=Pulse Start Metal Halide <sup>1</sup>	SS=Steeler	ER=Enhanced Prismatic Refractor	22=22"	C=Concentrated M=Medium W=Wide	MP 175=175W 200=200W 250=250W 320=320W 350=350W 400=400W	MH 175=175W 250=250W 400=400W HP 250=250W 400=400W	(See Pages 42-46)
MH=Metal Halide <sup>1</sup>						240V 277V 347V 480V	MT=Multi-Tap wired 277V
ML=Pulse Start Metal Halide (Linear Reactor) <sup>1,2</sup>							TT=Triple-Tap wired 347V
HP=High Pressure Sodium							5T=5-Tap <sup>5</sup>

NOTES: <sup>1</sup> Approved lamp containment barrier required when enclosed rated MP/ML/MH lamps are used. Approved lamp containment barrier required when enclosed rated MP/ML/MH lamps are used. 2005 NEC code requires that open luminaires must utilize a safety glass bottom (SGB) accessory or an Open rated socket (OR) and lamp. <sup>2</sup> 277V only, not available with HSW, Q, EM, HL or HC options. <sup>3</sup> Factory set for concentrated, medium or wide distributions only if P (factory pre-set) is in the nomenclature of the fixture. Otherwise shipped in medium setting. <sup>4</sup> Products also available in non-US voltages and 50HZ for international markets. Consult your Cooper Lighting Representative for availability and ordering information. 88% EISA compliant MP fixtures not available in 347V and Triple-tap voltages. <sup>5</sup> 88% EISA compliant MP fixtures not available in 5-tap voltages. <sup>6</sup> Specifications and dimensions subject to change without notice.

Refractor	Lamp Wattage	Ambient Environment	Supply Wire (Min.)
ER22	175-400W	40°C * 55°C ** 65°C (Open)	90°C

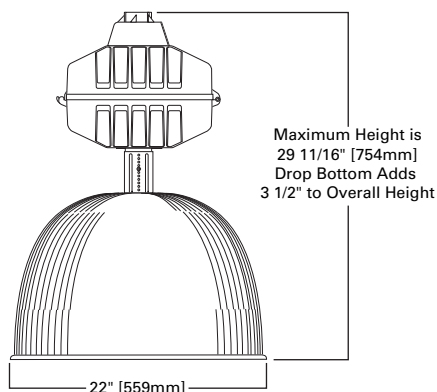
NOTES: \* Drop Acrylic Bottom.  
\*\* Enclosed Bottom.

Lamp Type	Wattage
Pulse Start Metal Halide (MP)	175, 200, 250, 320, 350, 400W
Metal Halide (MH)	175, 250, 400W
High Pressure Sodium (HP)	250, 400W

### Voltage Chart

MT=Multi-Tap	120/208/240/277V (wired 277V)
TT=Triple-Tap	120/277/347V (wired 347V)
5T=5-Tap	120/208/240/277/480V (wired 277V)

## DIMENSIONS



## DESCRIPTION

The Enhanced Refractor Benchmark high-bay utilizes a durable heavy-duty die-cast aluminum ballast housing and a microcellular translucent white acrylic refractor providing maximum durability. This technology provides architectural appeal and improved lighting performance at higher ambient ratings. U.L. Listed and CSA certified for damp locations.

The Benchmark Enhanced Refractor high-bay is perfect for architectural applications like retail stores, wholesale warehouses, grocery chains, malls, and auto show rooms.



## HB 22" ENHANCED REFRACTOR BENCHMARK

**175-400W**

High Pressure Sodium  
Pulse Start Metal Halide  
Metal Halide

DIE-CAST ALUMINUM  
ENHANCED REFRACTOR  
HIGH-BAY HEAVY-DUTY  
INDUSTRIAL LUMINAIRE

## ORDERING INFORMATION

SAMPLE NUMBER: HPHB-ER22-M-400-MT-Q

Lamp Type	Series	Refractor Type	Refractor Diameter	Distribution <sup>3</sup>	Lamp Wattage	Voltage <sup>4</sup>	Options & Accessories
MP=Pulse Start Metal Halide <sup>1</sup> MH=Metal Halide <sup>1</sup> ML=Pulse Start Metal Halide (Linear Reactor) <sup>1,2</sup> HP=High Pressure Sodium	HB=High-Bay Benchmark	ER=Enhanced Prismatic Refractor	22=22"	C=Concentrated M=Medium W=Wide	MP 175=175W 200=200W 250=250W 320=320W 350=350W 400=400W MH 175=175W 250=250W 400=400W HP 250=250W 400=400W	120V 208V 240V 277V 347V 480V MT=Multi-Tap wired 277V TT=Triple-Tap wired 347V 5T=5-Tap <sup>5</sup>	(See Pages 42-46)

**NOTES:** 1 Approved lamp containment barrier required when enclosed rated MP/ML/MH lamps are used. 2005 NEC code requires that open luminaires must utilize a safety glass bottom (SGB) accessory or an Open rated socket (OR) and lamp. 2 277V only, not available with HSW, Q, EM, HL or HC options. 3 Factory set for concentrated, medium or wide distributions only if P (factory pre-set) is in the nomenclature of the fixture. Otherwise shipped in medium setting. 4 Products also available in non-US voltages and 50HZ for international markets. Consult your Cooper Lighting Representative for availability and ordering information. 88% EISA compliant MP fixtures not available in 347V and Triple-tap voltages. 5 88% EISA compliant MP fixtures not available in 5-tap voltages. 6 Specifications and dimensions subject to change without notice.

- U.L. listed for damp locations. CSA certified. EISA Compliant
- Easy slide-on die-cast aluminum mounting box with tapped opening for 3/4" conduit
- Durable heavy-duty die-cast aluminum housing for lasting performance in the harshest environments. Integrally hinged for ease of maintenance with optional toolless entry. Finished in a standard white polyester powder paint
- High power factor ballast with class H insulation. Minimum starting temperature is -40°C (-40°F) for HP and -30°C (-20°F) for MH, MP and ML
- Universal ladder brackets allow for the flexibility to change out with other reflectors / refractors available in spun aluminum
- Easily mounted microcellular prismatic acrylic refractor has multiple field adjustable distribution patterns for precision control without the glare of traditional clear acrylics
- Approximate net weight: 29 lbs. (13 kgs.)

Refractor	Lamp Wattage	Ambient Environment	Supply Wire (Min.)
ER22	175-400W	55°C (Enclosed) 65°C (Open)	105°C

Lamp Type	Wattage
Pulse Start Metal Halide (MP)	175, 200, 250, 320, 350, 400W
Metal Halide (MH)	175, 250, 400W
High Pressure Sodium (HP)	250, 400W

Voltage Chart	
MT=Multi-Tap	120/208/240/277V (wired 277V)
TT=Triple-Tap	120/277/347V (wired 347V)
5T=5-Tap	120/208/240/277/480V (wired 277V)

# COOPER LIGHTING - LUMARK



## LX PRISMATIC DIRECT-MOUNT STEELER

### 175-400W

High Pressure Sodium  
Pulse Start Metal Halide  
Metal Halide

DIRECT MOUNT  
PRISMATIC HIGH-BAY  
INDUSTRIAL LUMINAIRE

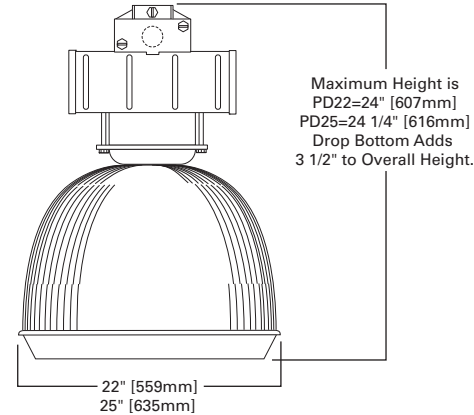
- U.L. listed for damp locations. CSA certified. EISA Compliant
- Easy slide-on die-cast aluminum mounting box with tapped opening for 3/4" conduit
- Heavy-duty, formed steel housing with an open air ballast for cooler operation is finished in a standard white polyester powder paint
- High power factor ballast with class H insulation. Minimum starting temperature is -40°C (-40°F) for HP and -30°C (-20°F) for MH, MP and ML
- Mogul-base porcelain socket
- Acrylic refractor system mounts directly to housing and provides full, even illumination
- Approximate net weight: 46 lbs. (21 kgs.)

### DESCRIPTION

The Steeler LX utilizes a heavy-duty formed steel ballast housing and prismatic acrylic refractor and drop refractor system for excellent photometric performance. U.L. listed and labeled for damp location. CSA Certified.

The Steeler LX is perfect for applications requiring vertical and horizontal illumination on multiple surfaces, including fabrication, manufacturing, assembly areas and retail / commercial / industrial warehousing where height restrictions must be considered.

### DIMENSIONS



### ORDERING INFORMATION

SAMPLE NUMBER: HPLX-DB25-400-MT-Q

Lamp Type	Series	Refractor Type	Refractor Diameter	Lamp Wattage	Voltage <sup>3</sup>	Options & Accessories
MP=Pulse Start Metal Halide <sup>1</sup>	LX=Prismatic Direct Mount Benchmark	PD=Prismatic Acrylic Refractor	22=22" 25=25"	MP MH 175=175W 175=175W 200=200W 250=250W 250=250W 400=400W 320=320W HP 350=350W 70=70W 400=400W 100=100W	120V 208V 240V 277V 347V 480V	Options & Accessories (See Pages 42-46)
MH=Metal Halide <sup>1</sup>		DB=Prismatic Acrylic Refractor with Drop		HP 150=150W 250=250W 400=400W	MT=Multi-Tap wired 277V TT=Triple-Tap wired 347V 5T=5-Tap <sup>4</sup>	
ML=Pulse Start Metal Halide (Linear Reactor) <sup>1,2</sup>		Acrylic Refractor				
HP=High Pressure Sodium						

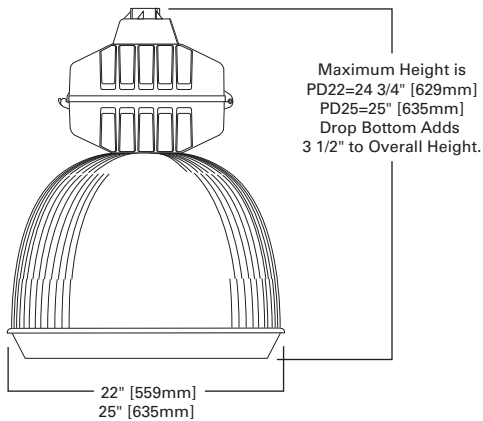
**NOTES:** 1 Approved lamp containment barrier required when enclosed rated MP/ML/MH lamps are used. 2005 NEC code requires that open luminaires must utilize a safety glass bottom (SGB) accessory or an Open rated socket (OR) and lamp. 2 277V only, not available with HSW, Q, EM, HL or HC options. 3 Products also available in non-US voltages and 50HZ for international markets. Consult your Cooper Lighting Representative for availability and ordering information. 88% EISA complaint MP fixtures not available in 347V and Triple-tap voltages. 4 88% EISA complaint MP fixtures not available in 5-tap voltages. 5 Specifications and dimensions subject to change without notice.

Refractor	Lamp Wattage	Ambient Environment	Supply Wire (Min.)
LX	175-400W	40°C	90°C

Lamp Type	Wattage
Pulse Start Metal Halide (MP)	175, 200, 250, 320, 350, 400W
Metal Halide (MH)	175, 250, 400W
High Pressure Sodium (HP)	70, 100, 150, 250, 400W

Voltage Chart	
MT=Multi-Tap	120/208/240/277V (wired 277V)
TT=Triple-Tap	120/277/347V (wired 347V)
5T=5-Tap	120/208/240/277/480V (wired 277V)

## DIMENSIONS



## DESCRIPTION

The BenchMark XB utilizes a durable heavy-duty die-cast aluminum ballast housing and prismatic acrylic refractor and drop refractor system for specification-level performance. U.L. listed and CSA certified. Standard damp location.

The BenchMark XB is perfect for applications requiring vertical and horizontal illumination on multiple surfaces, including fabrication, manufacturing, assembly areas and retail/commercial/ industrial warehousing where height restrictions must be considered and durability is desired.



## **XB** PRISMATIC DIRECT-MOUNT BENCHMARK

**175-400W**

High Pressure Sodium  
 Pulse Start Metal Halide  
 Metal Halide

DIE-CAST ALUMINUM  
 PRISMATIC LOW-BAY  
 HEAVY-DUTY INDUSTRIAL  
 LUMINAIRE

## ORDERING INFORMATION

SAMPLE NUMBER: HPXB-DB25-400-120V

Lamp Type	Series	Refractor Type	Refractor Diameter	Lamp Wattage	Voltage <sup>3</sup>	Options & Accessories
MP= Pulse Start Metal Halide <sup>1</sup>	XB= Prismatic Direct-Mount Benchmark	PD= Prismatic Acrylic Refractor	22=22" 25=25"	MP 175=175W 200=200W 250=250W 320=320W 350=350W 400=400W	120V 208V 240V 277V 347V 480V	(See Pages 42-46)
MH= Metal Halide <sup>1</sup>		DB= Prismatic Acrylic Refractor with Drop Acrylic Refractor		MH 175=175W 250=250W 400=400W	MT= Multi-Tap wired 277V	
ML= Pulse Start Metal Halide (Linear Reactor) <sup>1,2</sup>				HP 250=250W 400=400W	TT= Triple-Tap wired 347V	
HP= High Pressure Sodium					5T= 5-Tap <sup>4</sup>	

NOTES: 1 Approved lamp containment barrier required when enclosed rated MP/ML/MH lamps are used. 2005 NEC code requires that open luminaires must utilize a safety glass bottom (SGB) accessory or an Open rated socket (OR) and lamp. 2 277V only, not available with HSW, Q, EM, HL or HC options. 3 Products also available in non-US voltages and 50HZ for international markets. Consult your Cooper Lighting Representative for availability and ordering information. 88% EISA complaint MP fixtures not available in 347V and Triple-tap voltages. 4 88% EISA complaint MP fixtures not available in 5-tap voltages. 5 Specifications and dimensions subject to change without notice.

- U.L. listed for damp locations. CSA certified. EISA Complaint
- Easy slide-on die-cast aluminum mounting box with tapped opening for 3/4" conduit
- Durable heavy-duty die-cast aluminum housing for lasting performance in the harshest environments. Integrally hinged for ease of maintenance with optional toolless entry. Finished in a standard white polyester powder paint
- High power factor ballast with class H insulation. Minimum starting temperature is -40°C (-40°F) for HP and -30°C (-20°F) for MH, MP and ML
- Mogul-base porcelain socket
- Acrylic refractor system mounts directly to housing and provides full, even illumination
- Approximate net weight: 45 lbs. (20 kgs.)

Refractor	Lamp Wattage	Ambient Environment	Supply Wire (Min.)
XB	175-400W	40°C (175-400W)	105°C

Lamp Type	Wattage
Pulse Start Metal Halide (MP)	175, 200, 250, 320, 350, 400W
Metal Halide (MH)	175, 250, 400W
High Pressure Sodium (HP)	250, 400W

Voltage Chart	
MT=Multi-Tap	120/208/240/277V (wired 277V)
TT=Triple-Tap	120/277/347V (wired 347V)
5T=5-Tap	120/208/240/277/480V (wired 277V)

# COOPER LIGHTING - LUMARK



## DP AXIO SERIES

**192-336W**  
Compact Fluorescent

COMPACT FLUORESCENT  
HIGH-BAY LUMINAIRE

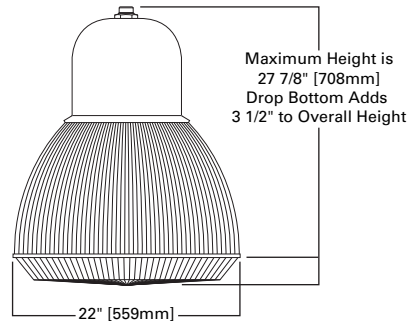
- U.L. listed for damp locations. CSA certified
- Mounting hub is tapped with an opening for 3/4" conduit. Ballast cover is easily removed for easy wiring and installation
- The heavy-duty, spun aluminum housing is finished in a white polyester powder coat standard. Other finish colors available
- Compact Fluorescent electronic ballast in 1 or lamp configuration provides up to four (4) switch level control or optional dimming ballast. Compact Fluorescent ballast are electronic, universal voltage 120-277V, less than 10% harmonic distortion, with minimum starting temperature of 0°C for 32, 42W and -30°C (-22°F) for 60 and 120W
- Compact Fluorescent sockets are rotary lock high temperature PBT material and incorporate: 32W GX24q3 or 42W GX24q4. 60 and 120W is a 2G8
- Available with high-efficiency 22" prismatic acrylic refractor or 22" high-reflectance white spun aluminum reflector
- Optional drop bottom and conical bottom refractor or safety glass bottom door
- Approximate net weight: 37 lbs. (16.82 kgs.)

### DESCRIPTION

The AXIO Series Luminaire offers unmatched photometric performance with an updated housing style. A wide range of lamp, ballast and optical choices gives the DP series unmatched flexibility and performance capabilities. U.L. listed and CSA certified for damp location standard.

The AXIO Series is perfect for school gymnasiums, multi-purpose rooms, retail stores, auto showrooms, and manufacturing assembly areas.

### DIMENSIONS



### ORDERING INFORMATION

SAMPLE NUMBER: CFDP-PC22-3/120-E-LL

Lamp Type	Series	Refractor Type	Lamp Wattage	Voltage <sup>1</sup>	Options & Accessories (See Below)
CF=Compact Fluorescent	DP=AXIO Series	PC22=22" Prismatic Acrylic SC22=22" Spun Aluminum	6/32=(6) 32W Triple Tube 8/32=(8) 32W Triple Tube 6/42=(6) 42W Triple Tube 8/42=(8) 42W Triple Tube	120V 208V 240V 277V E=Electronic (120-277V)	

#### Options <sup>2</sup>

**FH-1**=Die-cast Aluminum Fixture Hook (with 3/4" threads for easy installation)  
**FL-1**=Malleable Iron Plated Fixture Loop (with 3/4" threads for easy installation)  
**SCF**=3" Aircraft Safety Cable secures Housing to Ceiling (Alternative lengths available. Example: SCF6 = 6' Cable)  
**LL**=Lamp Included (Lamp is Cooper designated product based on luminaire requirements. Lamp is shipped separate from luminaire unless otherwise noted) <sup>3</sup>  
**C3**=3' Cord with no plug (Must use with FH-1 or FL-1, or SHK) <sup>4</sup>  
**PC3**=3' Cord with NEMA Plug (120V-L5-15P, 208V-L6-15P, 347V-L37-20P, AND 480V-L8-20P) Other cord lengths are available by specifying length (PC6 for 6' Cord) Requires FH-1 or FL-1, or SHK. Example: PC3-120V Use with TPPH-NEMA. Specify <sup>4</sup>  
**PC3/4C**=3' Cord with NEMA Plug (Dual Switching) <sup>4</sup>  
**PC3/5C**=3' Cord with NEMA Plug (Triple Switching) <sup>4</sup>  
**PHC-NEMA**=Power Cord and NEMA Plug (18" Power Cord and 20 AMP NEMA plug configuration). Must be used with FL-1 and TPPH-NEMA (Thru-Way Pendant Power Hook)  
**DS**=Dual Switching <sup>4</sup>  
**TS**=Triple Switching <sup>4</sup>  
**QS**=Quad Switching <sup>4</sup>

#### Accessories <sup>5</sup>

**PC3**=3' Cord with NEMA Plug - (120V-L5, 208V-L6-15P, 347V-L37-20P and 480V-L8-20P) Other cord lengths are available by specifying length (PC6 for 6' cord). Requires FH-1 or FL-1, or SHK. Use with TPPH-NEMA. Specify Voltage  
**PHC-NEMA**=Power Cord and NEMA plug - 18" Power Cord and 20 Amp NEMA plug configuration. Must be used with FL-1 and TPPH-NEMA (Thru-Way Pendant Power Hook)  
**SGB22**=Safety Glass Bottom for 22" Refractor (Not Compatible with WG22 - 400W max.) <sup>6</sup>  
**FWG22/WDB**=Wire Guard with DB22 Drop Lens for PD 22" Refractor - DB22 not included <sup>6</sup>  
**WG22**=Wire Guard for PD 22" Refractor (Not compatible with SGB) <sup>6</sup>  
**WGD22**=Wire Guard for PD or PC 22" Refractor (Not Compatible with SGB22) <sup>6</sup>  
**WG22/SGB**=Wireguard with Glass Lens for 22" Reflector (400W Max.) <sup>6</sup>  
**DB22**=Drop Acrylic Refractor for 22" (400W max.)  
**CB22**=Conical Bottom for 22" Refractor (Maximum 400W)  
**FH-1**=Fixture Hook  
**FL-1**=Fixture Loop

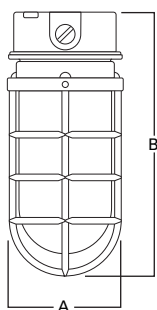
**NOTES:** 1 Specify voltage with emergency ballast, plug or MWS options. 2 Add as suffix in the order shown. 3 Specified for lamp to ship with order. Lamp is shipped separate from luminaire. Lamp is Cooper designated product based on luminaire requirements. 4 Non-switched products provided with standard 3' cord and NEMA plug (120V-L5-15P, 208V-L6-15P, 240V-L6-15P, 347V-L37-20P and 480V-L8-20P). Dual and Triple switching available with cord and plug option in 120 or 277V only. "TS" switching (120V-L21-20P and 277V-L22-20P), "DS" switching (120V-L15-20P and 277V-L16-20P). Consult your Cooper Lighting representative for wiring and circuit details. 5 Order separately. 6 Wire guards and lens enclosures

Refractor	Lamp Wattage	Ambient Environment	Supply Wire (Min.)
DP	192-336W	25°C	90°C

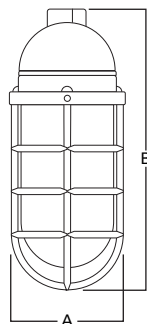
# COOPER LIGHTING - LUMARK

## DIMENSIONS

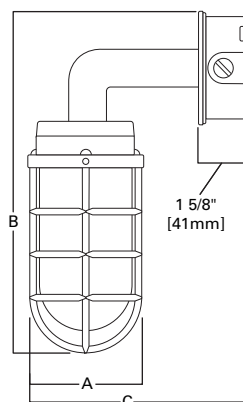
### Ceiling Mount



### Pendant Mount



### Wall Mount



Mounting	A	B	C
<b>Ceiling Mount</b>			
Small	4 1/4" [108mm]	9 3/4" [248mm]	
Large	5 11/16" [145mm]	11 1/2" [293mm]	
<b>Pendant Mount</b>			
Small	4 1/4" [108mm]	10 1/4" [261mm]	
Large	5 11/16" [145mm]	12 1/8" [308mm]	
<b>Wall Mount</b>			
Small	4 1/4" [108mm]	12 5/8" [321mm]	9 1/2" [242mm]
Large	5 11/16" [145mm]	14 1/4" [362mm]	10 9/16" [269mm]

## DESCRIPTION

Lumark's Vaportight fixtures are designed for heavy-duty, non-corrosive environments. Applications include processing plants, cold storage, foundries, factories, loading docks and retail applications. U.L and CUL listed for non-classified wet locations. For use in 40°C ambient environments.



## IC VAPORTIGHT

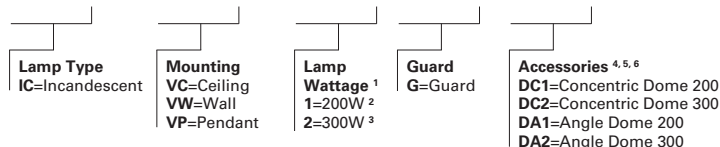
**200-300W**  
Incandescent

INDUSTRIAL  
SAFETY AND SECURITY  
LUMINAIRE

- Housings and threaded guard are die-cast aluminum. Small housing utilizes 1/2" NPS entry while large housing use 3/4" NPS entry. Standard construction includes thru-way wiring for ceiling and wall mount units. Guard is one piece and features stainless steel locking screw for vandal resistance
- Optional pendant mount, wall or ceiling mounting. Wall mount fits 4" round or octagonal J-Box. Pendant mount utilizes 1/2" NPS for small and 3/4" NPS for large
- Sockets are medium-base, porcelain exterior with 150°C wire
- Globe is heat- and impact-resistant glass and accepts up to 200W incandescent in small housing and 300W incandescent in the large housing
- Silicone gasket provides long life vapor seal
- Standard finish is polyester powder coat grey
- IP65 Rated
- Approximate net weight: 5 lbs. (2 kgs.)

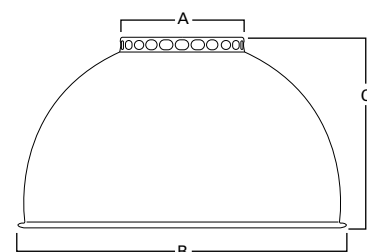
## ORDERING INFORMATION

SAMPLE NUMBER: ICVC1G

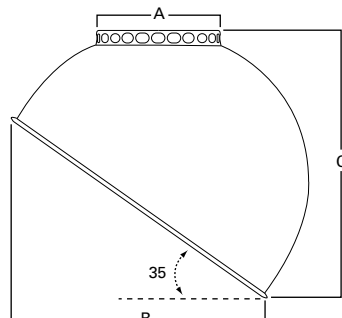


**NOTES:** 1 Care must be taken in selecting lamps due to size variations by manufacturers. 2 A21 lamp maximum. Lamp not included. 3 PS30 lamp maximum. Lamp not included. 4 Standard finish is polyester powder coat grey with inside painted white. 5 Guard required to install. 6 Order separately.

### Concentric Dome (DC1, DC2)



### Angle Dome (DA1, DA2)



Concentric Dome	A	B	C
DC1	4 3/8" [111mm]	11 3/4" [298mm]	6 7/8" [175mm]
DC2	4 3/8" [111mm]	14 11/16" [373mm]	8 11/16" [221mm]
Angle Dome			
DA1	5 13/16" [148mm]	11 3/16" [285mm]	12 3/4" [324mm]
DA2	5 13/16" [148mm]	13 3/4" [349mm]	10" [254mm]

Series	Ambient Environment	Supply Wire (Min.)
<b>Small</b>	40°C	<b>90°C</b> <b>75°C*</b>
ICVC1		
ICVP1		
ICVW1*	40°C	<b>90°C</b>
<b>Large</b>		
ICVC2		
ICVP2		
ICVW2		

# COOPER LIGHTING - LUMARK



## VS VAPORTIGHT SMALL

**50-100W**  
Pulse Start Metal Halide  
High Pressure Sodium

**26-42W**  
Compact Fluorescent

**200W**  
Incandescent

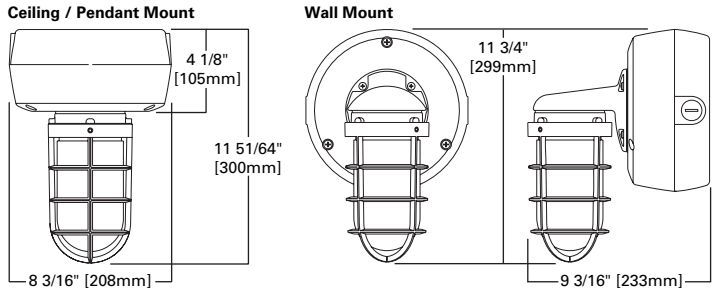
### INDUSTRIAL SAFETY AND SECURITY LUMINAIRE

- Housing and threaded guard are die-cast aluminum with 3/4" NPS entry. Standard construction includes thru-way wiring for ceiling or wall mount units. Guard is one piece construction and features stainless steel locking screw for vandal resistance
- Pendant, surface or wall mounting available. Ceiling mount fits 4" round or octagonal J-Box. Pendant mount utilizes a 3/4" NPS
- Sockets are 4kv pulse-rated medium-base porcelain lamp socket for HID applications or Gx24 base for 42W CFL. Lamp included stock packages
- Globe is heat- and impact-resistant glass and accepts up to 200W incandescent in small housing and 300W incandescent in the large housing
- Silicone gasket provides long life vapor seal in housing
- Approximate net weight: 6-14 lbs. (2.73-6.36 kgs.)

### DESCRIPTION

Lumark's Vaportight fixtures are designed for heavy-duty, non-corrosive environments. Applications include accent, entrance/eaves, pathway, recreation, retail, security and transportation applications. U.L and CUL listed for non-classified wet locations.

### DIMENSIONS



### ORDERING INFORMATION

SAMPLE NUMBER: HPVS-W-GG-100-120

Lamp Type	Series	Mounting	Optics	Lamp Wattage	Voltage <sup>1</sup>	Options + Accessories
MP=Pulse Start Metal Halide HP=High Pressure Sodium IN=Incandescent PL=Compact Fluorescent	VS=Vaportight Small	W=Wall Mount C=Ceiling/Pendant Mount	GG=Glass Jar with Globe	HID 50=50W 70=70W 100=100W IN 200=200W PL 26=26W 32=32W 42=42W	120=120V 277=277V 347=347V DT=Dual-Tap MT=Multi-Tap wired 277V UNV=120-277V Electronic Ballast	(See Below)

#### Options <sup>2</sup>

—=Grey (Standard)  
BK=Black  
SY=Silver  
WH=White  
LL=Lamp Included <sup>3</sup>  
UP10=10% Uplight  
F1=Single Fuse (120, 277 or 347V only)

#### Accessories <sup>4</sup>

DC1=Concentric Dome 200 <sup>5</sup>  
DA1=Angle Dome 200 <sup>5</sup>

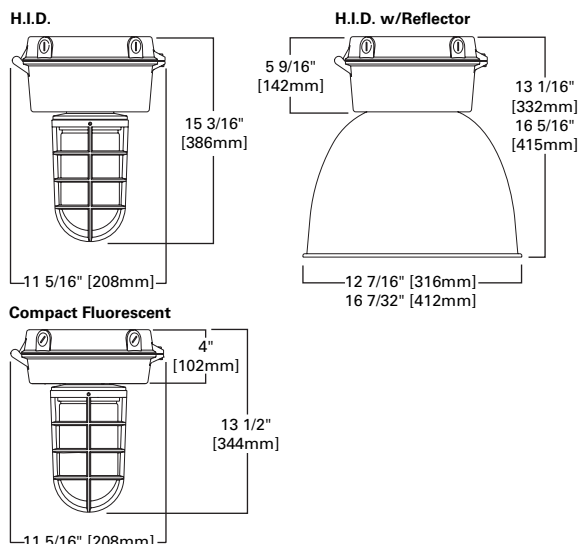
NOTES: <sup>1</sup> Products also available in non-US voltages and 50Hz for international markets. Consult your Cooper Lighting Representative for availability and ordering information. <sup>2</sup> Add as suffix in the order shown. <sup>3</sup> Lamp is Cooper designated product based on luminaire requirements. Lamp is shipped separate from luminaire unless otherwise noted. <sup>4</sup> Order separately. <sup>5</sup> DC1 and DA1 not available with wall mount. <sup>6</sup> Specifications and dimensions subject to change without notice.

Lamp Type	Ambient Environment	Supply Wire (Min.)
INC	40°C	90°C*
CFL (26-42W)	40°C	90°C*
HID (50-100W)	40°C (HPS) 25°C (MH)	150°C*

NOTES: \* Internal Wiring. Wiring in External J-Box is 90°C.



## DIMENSIONS



## DESCRIPTION

Lumark's Vaportight fixtures are designed for heavy-duty, non-corrosive environments. Applications include accent, entrance/eaves, pathway, recreation, retail, security and transportation applications. U.L and CUL listed for non-classified wet locations.



## VL VAPORTIGHT LARGE

**70-175W**  
 Pulse Start Metal Halide  
 High Pressure Sodium

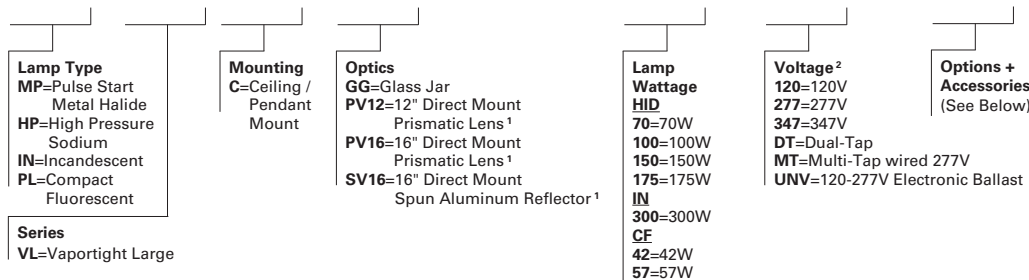
**300W**  
 Incandescent

**42-57W**  
 Compact Fluorescent

**INDUSTRIAL SAFETY AND SECURITY LUMINAIRE**

## ORDERING INFORMATION

SAMPLE NUMBER: HPVL-C-GG-175-120



### Options<sup>3</sup>

- =Grey (Standard)
- SY=Silver
- WH=White
- BZ=Bronze
- F1=Single Fuse (120, 277 or 347V only)
- LL=Lamp Included<sup>4</sup>
- UP10=10% Uplight
- Q=Quartz Restrike (Hot Strike Only)<sup>5</sup>
- FH-1=Die-cast Aluminum Fixture Hook (w/ 3/4" threads for easy installation)
- FL-1=Malleable Iron Plated Fixture Loop (w/ 3/4" threads for easy installation)
- SHK=Die-cast Aluminum Fixture Hook (w/safety screws and 3/4" threads for easy installation)
- PC3=3' Cord with NEMA Plug ((120V-L5-15P, 208V-L6-15P, 347V-L37-20P, and 480V-L8-20P) Other cord lengths are available by specifying length (PC6 for 6' Cord) Requires FH-1 or FL-1, or SHK. Example: PC3-120V Use with TPPH-NEMA. Specify Voltage.

### Accessories<sup>6</sup>

- SGB16=Safety Glass Bottom for 16" Refractor (Not compatible with "WG") (250W maximum)
- WG16/SGB=Gym Wire Guard with Safety Glass Bottom for 16" Refractor
- WGD16=Wire Guard for DB16
- DB16=Drop Bottom Lens (250W maximum)
- CB12=Conical Bottom Lens for 12" Refractor
- CB16=Conical Bottom Lens for 16" Refractor
- DC2=Concentric Dome 300<sup>7</sup>
- DA2=Angle Dome 300<sup>7</sup>

**NOTES:** 1 Damp location listed. 2 Products also available in non-US voltages and 50Hz for international markets. Consult your Cooper Lighting Representative for availability and ordering information. 3 Add as suffix in the order shown. 4 Lamp shipped separately. 5 Not for use with "GG" optics. 6 Order separately. 7 Requires "GG" optics. 8 Specifications and dimensions subject to change without notice.

Lamp Type	Ambient Environment	Supply Wire (Min.)
CFL (42-57W)	40°C	90°C *
HID (70-175W)	40°C (100W) 25°C (150 & 175W)	105°C *

NOTES: \* Internal Wiring. Wiring in External J-Box is 90°C.

- U.L. and cUL listed for non-classified wet locations. EISA Compliant
- Housing and threaded guard are die-cast aluminum with 3/4" NPS entry. Standard construction includes thru-way wiring for ceiling or wall mount units. Guard is one piece construction and features stainless steel locking screw for vandal resistance
- Pendant, surface or wall mounting available. Ceiling mount fits 4" round or octagonal J-Box. Pendant mount utilizes a 3/4" NPS
- Sockets are 4kv pulse-rated medium-base porcelain lamp socket for HID applications or Gx24 base for 42W CFL. Lamp included stock packages
- Globe is heat- and impact-resistant glass and accepts up to 200W incandescent in small housing and 300W incandescent in the large housing
- Silicone gasket provides long life vapor seal in housing
- Approximate net weight: 6-14 lbs. (2.73-6.36 kgs.)

# COOPER LIGHTING - LUMARK



## CML LUMAWATT INDUSTRIAL HID DIMMING SYSTEM

Controls all LumaWatt  
Equipped Lumark HID  
Industrial Luminaires

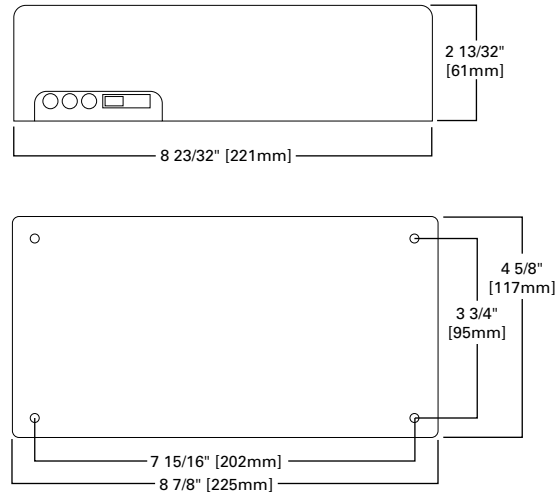
### CONTROL MODULE

- Low voltage output controls up to 25 LumaWatt-equipped fixtures
- Allow daisy-chaining of multiple controllers
- Terminal block provides input connections for one to six passive infrared motion sensors
- Input terminal allows use of user-supplied dry-contact switch. Switch overrides motion sensors, putting system into high brightness mode
- Standard transformer accepts 120V or 277V user-configurable input. 208V, 240V, 347V and 480V are also available
- Three front panel lights show system status: amber indicates that the controller is receiving power, red indicates that output from the controller is at full brightness and green indicates that output is at low brightness
- Front panel test switch provides same function as remote dry-contact switch
- CMOS timer maintains system in full brightness mode for a 15 minute warm-up period when power is applied
- Operating temperature 2°C (35°F)—55°C (131°F)

### DESCRIPTION

The LumaWatt controller accepts inputs from up to four remote-mounted motion detectors and provides a low-voltage output capable of controlling up to 25 fixtures. Upon receiving a 24 volt DC signal from an attached motion sensor or dry contact switch, it switches connected fixtures from low intensity to high, providing maximum light when an area is occupied and lowered energy usage when the area is empty. U.L. listed and CSA certified.

### DIMENSIONS



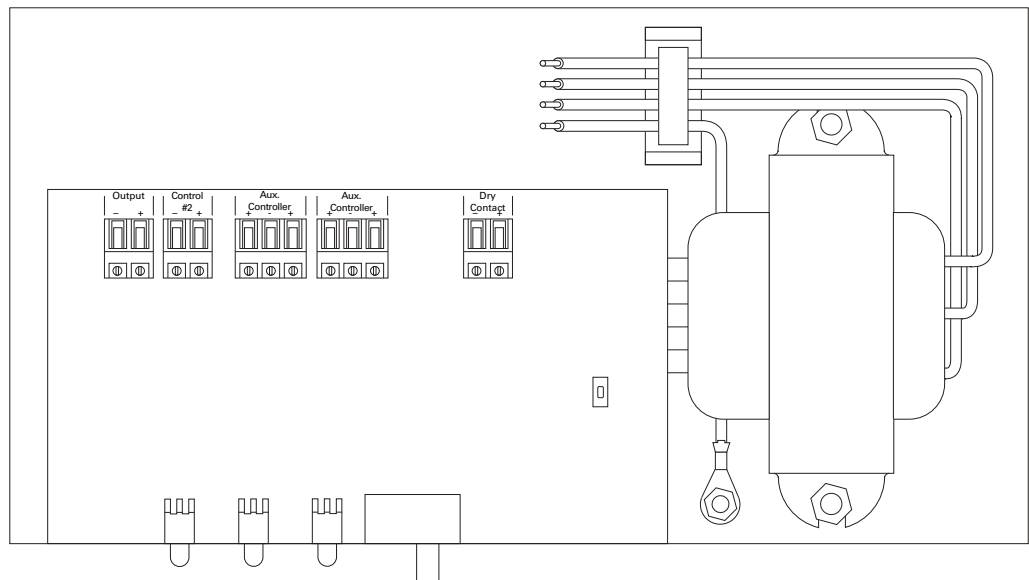
### ORDERING INFORMATION

SAMPLE NUMBER: SAMPLE NUMBER: CML-120/277

Product Family	Input Voltage <sup>1,2</sup>
CML=LumaWatt Control Module	120/277V=User-selectable 120V or 277V input voltage
	208V
	240V
	347V
	480V

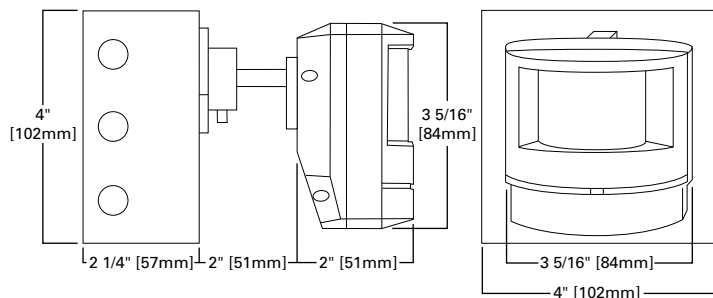
### LumaWatt Lamp Input Watts

Wattage	High (HW)	Low	Change (PC)	Wattage	High (HW)	Low	Change (PC)
<b>Metal Halide</b>				<b>High Pressure Sodium</b>			
1000W	1080	666	38%	1000W	1100	616	44%
400W	455	238	48%	400W	465	215	54%
250W	295	162	45%	250W	300	151	50%
175W	209	101	52%	150W	196	118	40%



NOTES: 1 Products also available in non-US voltages and 50Hz for international markets. Consult your Cooper Lighting Representative for availability and ordering information. 2 Order separately. 3 Specifications and dimensions are subject to change without notice.

## DIMENSIONS



## ORDERING INFORMATION

SAMPLE NUMBER: SAMPLE NUMBER: IRMD-N-24V

<b>Product Family</b> IRMD=LumaWatt Infrared Motion Detector	<b>Coverage</b> A=Aisleway N=Narrow W=Wide	<b>Input Voltage<sup>1</sup></b> 24V=24V
---	---	---

## DESCRIPTION

LumaWatt motion detectors work in conjunction with the LumaWatt controller and fixture dimmers to provide bi-level lighting control based upon an area's occupancy. Motion detectors are passive infrared type and react to changes in infrared energy (heat) within the coverage area.

Excellent for controlling energy costs in any area occupied less than 100% of the time. Rated for use in 55°C (131°F) ambient environment (performance will degenerate at ambient temperatures above 35°C (95°F), requiring higher sensitivity settings and shortening coverage areas).

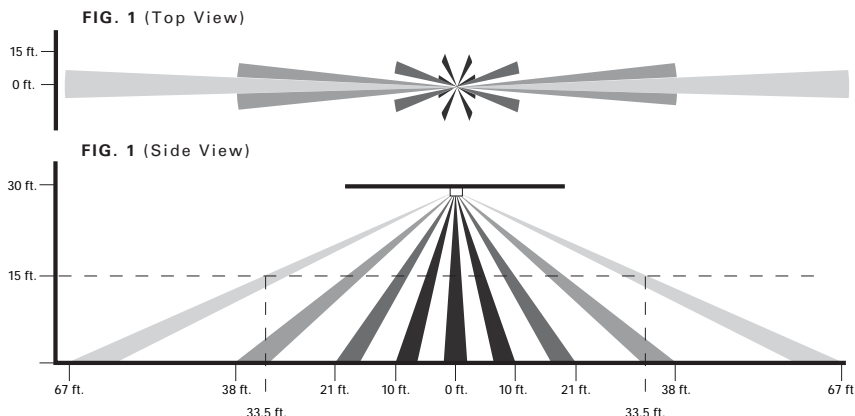


## IRMD LUMAWATT INDUSTRIAL HID DIMMING SYSTEM

### INFRARED MOTION DETECTOR

**FIG. 1**  
IRMD-A / IRMD-A-24V

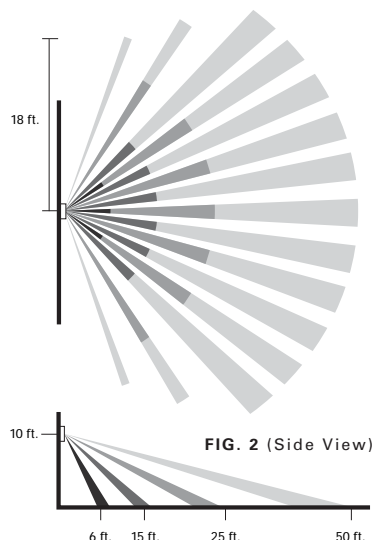
Infrared Motion Detector / Aisleway Coverage / Ceiling Mounted / 30' Mounting Height (Dotted lines indicate coverage area for 15' mounting height)



**FIG. 2**  
IRMD-W / IRMD-W-24V

Infrared Motion Detector / Wide Coverage / Wall Mounted / 10' Mounting Height

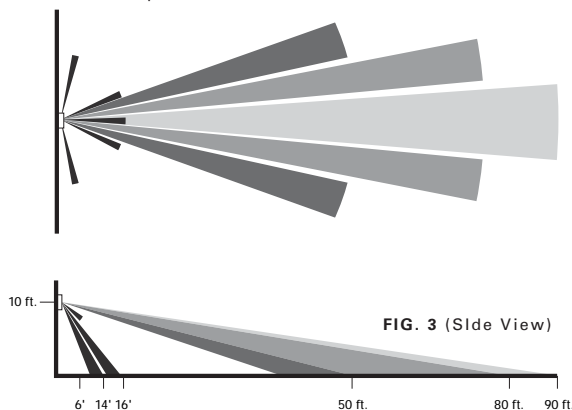
**FIG. 2 (Top View)**



**FIG. 3**  
IRMD-N / IRMD-N-24V

Infrared Motion Detector / Narrow coverage / Wall Mounted / 10' Mounting Height

**FIG. 3 (Top View)**



- Power to the motion detector (24V DC) is supplied by the control module. The Detector uses a standard galvanized steel 4x4 J-box with (1) 3/4" and (2) 1/2" knockouts on all four sides for DC control circuit connection exit. Can be mounted flush to wall or ceiling, or suspended from conduit
- Provides aiming flexibility when positioning motion detector
- Available in three coverage patterns, for aisles, narrow areas or wide areas
- Provides visual indication of when the sensor is detecting motion
- Bank of five DIP switches controls amount of time that system stays at full brightness after motion in an area ceases
- Up to four motion detectors can be daisy chained together per controller
- Use in conjunction with "HL" or "HC" option on luminaires

**NOTES:** 1 Products also available in non-US voltages and 50Hz for international markets. Consult factory for availability and ordering information. 2 Add as suffix to any Lumark indoor industrial fixture. 3 30 second time delay when switching from bright to dim. 4 Order separately. 5 See separate cut sheet for full details on control module. 6 Specifications and dimensions are subject to change without notice.

# COOPER LIGHTING - LUMARK

## DESCRIPTION

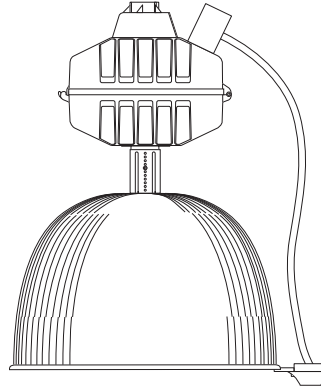


## IRMS INDIVIDUAL FIXTURE CONTROL OPTION

### INFRARED INTEGRAL MOTION SENSOR

- Sensor is wired directly to the luminaire and operates on 120V with Magnetic CWA HID ballast systems. The detector is pre-wired and mounted to junction box. Ballast assembly shipped with wiring compartment for connection to ballast. Specify "HSW" options for Magnetic H.I.D. luminaires and open and enclosed Steeler and Benchmark luminaires
- Unit comes with all necessary hardware to mount to a wide variety of open or enclosed optical assemblies. Consult individual specification sheets for compatibility and ordering logic
- 360° viewing allows coverage between luminaires. Ideal for mounting heights from 15-45 feet
- Green LED provides visual indication of when the sensor is detecting motion
- Luminaire ships with 15 minute start up timer. Sensors can be adjusted from 30 seconds to 20 minutes
- Standard sensor operates from -10°C to 55°C. Low Temperature option (LT) operates from -40°C to 55°C. Relative humidity of 20%-90%, non-condensing

LumaWatt motion detector works in conjunction with fixture dimmers to provide bi-level control based on an area's occupancy. Motion detector is passive infrared type and reacts to changes in infrared energy (heat) within the coverage area.



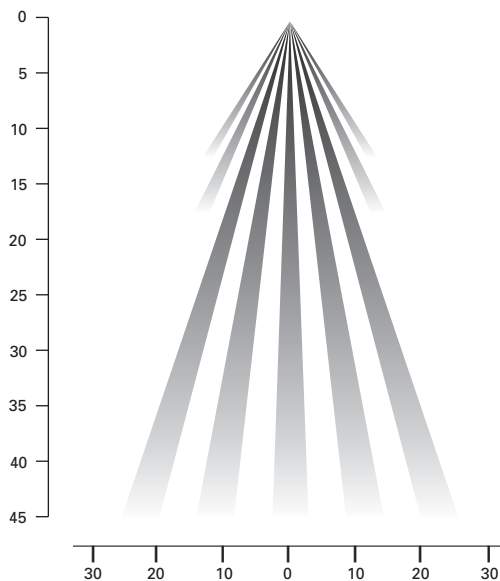
## ORDERING INFORMATION <sup>1</sup>

SAMPLE NUMBER: SAMPLE NUMBER: MHSS-SA18-M-400-MT-HSW

## OPTIONS

HSW=Integral LumaWatt Sensor and with Wide Distribution Control for CWA Magnetic Ballast

## COVERAGE PATTERN



NOTES: <sup>1</sup> Consult individual luminaire specification sheets for compatibility and ordering information.  
<sup>2</sup> Specifications and dimensions are subject to change without notice.

## OPTION DESCRIPTIONS

Lumark offers a full complement of options and accessories that allow the products to be customized to particular applications or installations. Options should be listed in the order shown at end of the part number and separated by dashes. See Steeler and Benchmark chart for housing/optical compatibility.

**PS** [Protective Starter] Prevents damage to the ballast or related system wiring by disconnecting the ignitor if a lamp has failed or is missing. Operates with High Pressure Sodium and Pulse Start Metal Halide lamps up to 1000W.

**P** [Pre-set Socket Position from the factory] Shipped pre-set for specified distribution from factory.

**OR** [Open Rated Socket] Required in applications where open rated restricted base lamps must be used. Socket is "Pink" to denote open rated lamp base only. See lamp manufactures for additional information.

**SS** [Space Saver] Same as remote mount but optical shipped with loop and 3' cord with for easy connection to ballast housing.

**QB** [Quiet Ballast] Potted ballast eliminates ballast noise associated with traditional Magnetic Core and Coil ballast. Ideal for applications where elimination of secondary noise is needed such as gymnasiums and multi-purpose areas. Available on the Benchmark ballast housing only. Available on 250-1000W ballast only.

**DL100** [100% Downlight] Available on SA18 or SA23 aluminum reflectors only.

**QD** [Quick Disconnect] Die-cast Pendant Mount Box—Specify Single Voltage (not compatible with PC3, PHC, C3, MWS, RM or HC). Full Load Disconnect module allows for removal of luminaire while circuit is still energized. U.L. listed as a load-break device.

**RM** [Remote Mount] Ballast and reflector mounting bracket can be hard wired and installed separate. Allows the ballast to be mounted at further distance or allow for overall reduction in luminaire height. Distance may be limited for certain ballast types and wattages.

**TE** [Toolless Entry] Available for Benchmark ballast housing only.

**HL** [LumaWatt Fixture Control Module] Allows low voltage control wire to be daisy-chained between fixtures outside AC conduit run similar to low voltage intercom's, fire alarms and phone systems.

**HC** [LumaWatt Fixture Control Module] Low voltage leads pulled out of top connection box for areas requiring all wiring to be installed in conduit.

**HSW** [LumaWatt Integrated Sensor Control] Allows use with CWA magnetic ballast and integrated 120V sensor.

**Q** [Quartz Restrike DC Bayonet Base] Lamp strikes after momentary power interruption that causes the main HID lamp to extinguish. Lamp will stay on until HID lamp restrikes. Quartz lamp will not come on at initial cold start.

**EM** [Quartz Restrike with "Delay Relay"] Same as "Q" option but lamp strikes at both hot and cold starts. Lamp stays on for two minutes to allow lamp to get to full brightness.

**EM/SC** [Quartz Restrike wired for Separate Circuit] Allow quartz lamp socket to be wired to separate 120V emergency power system.

**F1** [Single Fuse (120, 277 or 347V only)] In-line fusing isolates inoperative luminaires from circuit and protects luminaires from in-rush current flow. All fusing on industrial luminaires is external for easy access and maintenance.

**F2** [Double Fuse (208, 240 or 480V only)] In-line fusing isolates inoperative luminaires from circuit and protects luminaires from in-rush current flow. All fusing on industrial luminaires is external for easy access and maintenance.

**VI** [Visual Indicator] Externally mounted LED signal allows quick diagnostic from ground to determine lamp or ballast failure. The LED will flash which indicates lamp failure. The LED does not light which indicates probable ballast failure. Available in 175-400W Metal Halide, 50-400W High Pressure Sodium and 50-450W Pulse Start Metal Halide.

**FILT** [Sintered Bronze Filter] Allows Enclosed and Gasketed luminaires to breathe during start-up and shutdown times. Sintered bronze filter prevents the entrance of contaminants. Not offered with "WL" option.

**FH-1** [Die-cast Aluminum Fixture Hook] with 3/4" threads for easy installation. Can also be ordered separately as an accessory.

**FL-1** [Malleable Iron Plated Fixture Loop] with 3/4" threads for easy installation. Can also be ordered separately as an accessory.

**SHK** [Die-cast Aluminum Fixture Hook] with safety screw and 3/4" threads for easy installation. Can also be ordered separately as an accessory.

**PC3-XXXV** [3' cord with NEMA plug] (120V-L5-15P, 208V-L6-15P, 240V-L6-15P, 277V-L7-15P 347V-L37-20P, AND 480V-L8-20P) Other cord lengths are available by specifying length (PC6 for 6' cord). Requires FH-1, SHK or FL-1. EXAMPLE: PC3-120V. Can also be ordered separately as an accessory.

**PHC-XXXV** [Power Cord and Plug] 18" Power Cord and Non-NEMA plug configuration. Must be used with FL-1, SHK and TPPH (Thru-Way Pendant Power Hook). Can also be ordered separately as an accessory.

# COOPER LIGHTING - LUMARK

## OPTION DESCRIPTIONS

**PHC-XXX-NEMA** [Power Cord and NEMA Plug] 18" Power Cord and 20 Amp NEMA plug configuration. Must be used with FL-1, SHK and TPPH-NEMA (Thru-Way Pendant Power Hook). EXAMPLE: PHC-120V-NEMA. Can also be ordered separately as an accessory.

**C3** [3' Cord with no plug] Must use with FH-1, SHK or FL-1. Can also be ordered separately as an accessory.

**MWS** [Modular Wiring Systems] Can also be ordered separately as an accessory.

**SCF** 3' Aircraft Safety Cable secures housing to ceiling. Alternative lengths available. EXAMPLE: SCF6=6' Cable.

**SCR** Aircraft Safety Cable for housing to reflector.

**L/TCB** [Less Top Connector box] Housing shipped less top connector box. Used when using TWMB5 (Steeler Family) and TW (Benchmark Family) accessories.

**LL** [Lamp Included] Specified for lamp to ship with order. Lamp is Cooper designated product based on luminaire requirements. Lamp is shipped separate from luminaire unless otherwise noted.

**QLL** [Quartz Lamp Included] Can be specified when Q, EM or EM/SC option is included. Specified for lamp to ship with order. Lamp is Cooper designated product based on luminaire requirements. Lamp is shipped separate from luminaire unless otherwise noted.

**WL** [Wet Location Listed Luminaires] U.L. listed and CSA certified for wet locations. Check chart for availability. Not available with all options and accessories. Consult product specification sheets for more details.

**WLB** U.L. Labeled for Wet Locations with Die-Cast Box for 3/4" Conduit Entry (Vertimark II Only).

**WLD** U.L. Labeled for Wet Locations with Quick Disconnect (Vertimark II Only).

**WLP** U.L. Labeled for Wet Locations Suitable for Surface or 4" J-Box Mounting (Vertimark II Only).

**WG** [Wire Guard] Wire Guard factory installed. Available on ENGR16 & ENGR21 only. Must be specified with the fixture.

**WG18** [Wire Guard] Wire Guard factory installed. Available on ENSA18 only. Must be specified with the fixture.

**WG23** [Wire Guard] Wire Guard factory installed. Available on ENSA23 only. Must be specified with the fixture.

### Lenses + Wire Guard Accessories [order separately] <sup>1</sup>

#### Aluminum [High-Bays]

**SGB15** Safety Glass Bottom for SA15 (not compatible with "WG15") <sup>2</sup>

**SGB18** Safety Glass Bottom for SA18 (not compatible with "WG18") <sup>2</sup>

**SGB19** Safety Glass Bottom for AV19 (not compatible with "WG19") <sup>2</sup>

**SGB23** Safety Glass Bottom for SA23 (not compatible with "WG23") <sup>2</sup>

**WG15** Wire Guard for SA15 (not compatible with "SGB15")

**WG18** Wire Guard for SA18 (not compatible with "SGB18")

**WG19** Wire Guard for AV19 (not compatible with "SGB19")

**WG23** Wire Guard for SA23 (not compatible with "SGB23")

**WG15/GLC** Gym Wire Guard w/ Safety Glass for SA15 <sup>2</sup>

**WG18/GLC** Gym Wire Guard w/ Safety Glass for SA18 <sup>2</sup>

**WG19/GLC** Gym Wire Guard w/ Safety Glass for AV19 <sup>2</sup>

**WG23/GLC** Gym Wire Guard w/ Safety Glass for SA23 <sup>2</sup>

#### Aluminum [Low-Bays]

**WG22/EP** Wire Guard for 22" Enterprise

**WG28/EP** Wire Guard for 28" Enterprise

**WG/LM** Wire Guard for Apollo

#### Borosilicate Glass

**GFWG16/WG** Glass Full Wire Guard for Open GR16 (SGB not Included)

**GFWG21/WG** Glass Full Wire Guard for Open GR21 (SGB not Included)

**GTWG16** Top Full Wire Guard 16" Refractor for GR16 & ENGR16

**GTWG21** Top Full Wire Guard 21" Refractor for GR21 & ENGR21

**SGB16/GR** 16" Safety Glass Bottom for Open GR16 <sup>2</sup>

**SGB21/GR** 21" Safety Glass Bottom for Open GR21 <sup>2</sup>

**WG16/GR** Wire Guard for 16" Refractor for Open GR16

**WG21/GR** Wire Guard for 21" Refractor for Open GR21

**WG16/GLC/GR** Wire Guard with Safety Glass Bottom for Open 16" Refractor

**WG21/GLC/GR** Wire Guard with Safety Glass Bottom for Open 21" Refractor

**NOTE:** 1 Wire guards and lens enclosures should be used for any application needing additional protection such as gymnasiums. 2 Approved lamp containment barrier required when enclosed rated MP/ML/MH lamps are used. 2005 NEC code requires that open luminaires must utilize a safety glass bottom (SGB) accessory or an Open rated socket (OR) and lamp.

## OPTION DESCRIPTIONS

### Lenses + Wire Guard Accessories [order separately] <sup>1</sup>

#### Prismatic Acrylic

**CB22** Conical Bottom Lens for 22" Refractor for PD22 and ER22 (400W maximum)

**DB16** Drop Lens for 16" Refractor for PD16 (250W maximum)

**DB22** Drop Lens for 22" Refractor for PD22 and ER22 (400W maximum)

**DB25** Drop Lens for 25" Refractor for PD25 (400W maximum)

**FWG16/WG16** Full Wire Guard for PD16 ("SGB" not included)

**FWG22/WG22** Full Wire Guard for PD22 and ER22 ("SGB" not included)

**FWG25/WG25** Full Wire Guard for PD25 ("SGB" not included)

**FWG16/WG16/SGB16** Full Wire Guard for 16" Refractor & SGB16 lens

**FWG22/WG22/SGB22** Full Wire Guard for 22" Refractor & SGB22 lens

**FWG25/WG25/SGB25** Full Wire Guard for 25" Refractor & SGB25 lens

**FWG22/WG22/WDB** [Full Wire Guard] Full Wire Guard for use with DB22 Drop Lens for PD 22" Refractor ("DB22" not included)

**FWG25/WG25/WDB** [Full Wire Guard] Full Wire Guard for use with DB25 Drop Lens for PD 25" Refractor ("DB25" not included)

**SGB16** Safety Glass Bottom for 16" Refractor (not compatible with "WG") (250W maximum) <sup>1</sup>

**SGB22** Safety Glass Bottom for 22" Refractor (not compatible with "WG") (400W maximum) <sup>1</sup>

**SGB25** Safety Glass Bottom for 25" Refractor (not compatible with "WG") (400W maximum) <sup>1</sup>

**WG16** Wire Guard for 16" Refractor (not compatible with "SGB")

**WG22** Wire Guard for 22" Refractor (not compatible with "SGB")

**WG25** Wire Guard for 25" Refractor (not compatible with "SGB")

**WGD16** Wire Guard for DB16

**WGD22** Wire Guard for DB22

**WGD25** Wire Guard for DB25

**WG16/SGB** Gym Wire Guard with Safety Glass Bottom for 16" Refractor (250W maximum) <sup>1</sup>

**WG22/SGB** Gym Wire Guard with Safety Glass Bottom for 22" Refractor (400W maximum) <sup>1</sup>

**WG25/SGB** Gym Wire Guard with Safety Glass Bottom for 25" Refractor (400W maximum) <sup>1</sup>

### Mounting Accessories [order separately]

**TWMB** Thru-way Mounting Box (Steeler Only)

**TW** Thru-way Mounting Box (Benchmark Only)

**MBT** Twin Mount Bracket (Fixtures must be same voltage and without hooks, loops or plugs)

**TPPH-XXXV-NEMA** Thru-way Pendant Power Hook. Requires FL-1, SHK and PHC-XXXV-NEMA. Specify Voltage

**TPPH-XXXV** Thru-Way Pendant Power Hook Requires FL-1, SHK and PHC. Specify Voltage

**TPPH-F-XXXV** Thru-Way Pendant Power Hook-Single Fuse, 120, 277 or 347 Volt. Requires FL-1, SHK and PHC. Specify Voltage

**TPPH-F2-XXXV** Thru-Way Pendant Power Hook-Double Fused, 208, 240 or 480 Volt. Requires FL-1, SHK and PHC. Specify Voltage

**TPPH-F-QD-XXXV** Thru-Way Pendant Power Hook-Single Fuse, Quick Disconnect. Requires FL-1, SHK and PHC. Specify Voltage

**TPPH-F2-QD-XXXV** Thru-Way Pendant Power Hook-Double Fused, Quick Disconnect. Requires FL-1, SHK and PHC. Specify Voltage

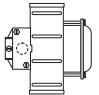
### Decorative Shades [order separately]

Catalog Number	Shade Description	(A) Inches	(A) Metric	(B) Inches	(B) Metric	Fixture Reflector
S51003	Round Decorative	17 1/2"	44.45 cm	17"	43.18 cm	15"
S51004	Round Decorative	17 1/2"	44.45 cm	27 1/2"	69.85 cm	15"
S51005	Round Decorative	20 1/2"	52.07 cm	27 1/2"	69.85 cm	18"
S51006	Round Decorative	25 1/2"	64.77 cm	34 1/2"	87.63 cm	23"
S51103	Square Decorative	17 1/2"	44.45 cm	17"	43.18 cm	15"
S51104	Square Decorative	17 1/2"	44.45 cm	27 1/2"	69.85 cm	15"
S51105	Square Decorative	20 1/2"	52.07 cm	27 1/2"	69.85 cm	18"
S51106	Square Decorative	25 1/2"	64.77 cm	34 1/2"	87.63 cm	23"
S51203	Hexagon Decorative	17 1/2"	44.45 cm	17"	43.18 cm	15"
S51204	Hexagon Decorative	17 1/2"	44.45 cm	27 1/2"	69.85 cm	15"
S51205	Hexagon Decorative	20 1/2"	52.07 cm	27 1/2"	69.85 cm	18"
S51206	Hexagon Decorative	25 1/2"	64.77 cm	34 1/2"	87.63 cm	23"

NOTE: Has to be installed when fixture is installed. Specify color. EXAMPLE: S51003BLK

# COOPER LIGHTING - LUMARK

OPTIONS CAPABILITY MATRIX [ORDER SEPARATELY]

STEELER HOUSING	RS	P	OR	SS	HL	HSW	D	EM	EM/SC	F1 (120, 277, 347V)	F2 (208, 240, 480V)	WG	QD	FH-1	FL-1	SHK	PC3	PHC	C3	HC	DL100	SCF	SCR	LTCB	LL	QLL	RM	VI	WG18	WG23	FLT	MWS				
 <b>STEELER HOUSING</b>	•	•	•	•	•	•	•	•	•	•	•	•	•	•	•	•	•	•	•	•	•	•	•	•	•	•	•	•	•	•	•	•	•	•		
<b>SS Steeler Aluminum High-Bay</b>	•	•	•	•	•	•	•	•	•	•	•	•	•	•	•	•	•	•	•	•	•	•	•	•	•	•	•	•	•	•	•	•	•	•	•	
<b>SE E&amp;G Aluminum High-Bay</b>	•	•	•	•	•	•	•	•	•	•	•	•	•	•	•	•	•	•	•	•	•	•	•	•	•	•	•	•	•	•	•	•	•	•	•	
<b>SS Econoliter</b>	•	•	•	•	•	•	•	•	•	•	•	•	•	•	•	•	•	•	•	•	•	•	•	•	•	•	•	•	•	•	•	•	•	•	•	•
<b>SS VertX</b>	•	•	•	•	•	•	•	•	•	•	•	•	•	•	•	•	•	•	•	•	•	•	•	•	•	•	•	•	•	•	•	•	•	•	•	•
<b>SE VertX</b>	•	•	•	•	•	•	•	•	•	•	•	•	•	•	•	•	•	•	•	•	•	•	•	•	•	•	•	•	•	•	•	•	•	•	•	•
<b>EP Enterprise 22</b>	•	•	•	•	•	•	•	•	•	•	•	•	•	•	•	•	•	•	•	•	•	•	•	•	•	•	•	•	•	•	•	•	•	•	•	•
<b>EP Enterprise 28</b>	•	•	•	•	•	•	•	•	•	•	•	•	•	•	•	•	•	•	•	•	•	•	•	•	•	•	•	•	•	•	•	•	•	•	•	•
<b>SG Prismatic Glass High-Bay</b>	•	•	•	•	•	•	•	•	•	•	•	•	•	•	•	•	•	•	•	•	•	•	•	•	•	•	•	•	•	•	•	•	•	•	•	•
<b>SE E&amp;G Gasketed Glass</b>	•	•	•	•	•	•	•	•	•	•	•	•	•	•	•	•	•	•	•	•	•	•	•	•	•	•	•	•	•	•	•	•	•	•	•	•
<b>SS Prismatic</b>	•	•	•	•	•	•	•	•	•	•	•	•	•	•	•	•	•	•	•	•	•	•	•	•	•	•	•	•	•	•	•	•	•	•	•	•
<b>SE E&amp;G Gasketed Acrylic</b>	•	•	•	•	•	•	•	•	•	•	•	•	•	•	•	•	•	•	•	•	•	•	•	•	•	•	•	•	•	•	•	•	•	•	•	•
<b>SS Enhanced Refractor</b>	•	•	•	•	•	•	•	•	•	•	•	•	•	•	•	•	•	•	•	•	•	•	•	•	•	•	•	•	•	•	•	•	•	•	•	•
<b>LX Prismatic Direct Mount</b>	•	•	•	•	•	•	•	•	•	•	•	•	•	•	•	•	•	•	•	•	•	•	•	•	•	•	•	•	•	•	•	•	•	•	•	•

NOTES: 1 Distance may be limited by ballast type. 2 30 second time delay when switching from bright to dim. Consult individual lamp manufacturers recommendations for compatible lamps. For use with CWA ballast only. 3 Not available with HL or HC option. 4 Not available with FH-1, FL-1 or SHK. 5 Not available with QD, PC3, C3, PHC or MWS. Not available with single circuit MWS special order. 6 Available SA18 and SA23 only. 7 Standard. 8 Specify when using the TWMB5 or TW accessory. 9 Not available with DD, W, WL option. 10 Hinged and latched reflector assembly required.



**SS 16", 22" & 25"  
Prismatic High-Bay**  
p.26



**SE 16" & 21" E&G  
Glass Steeler**  
p.25



**SG 16" & 21" Prismatic  
Glass High-Bay**  
p.23



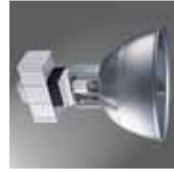
**EP Enterprise  
22 & 28**  
p.19



**SE E&G VertX**  
p.17



**SS VertX**  
p.15



**SS Econoliter**  
p.14



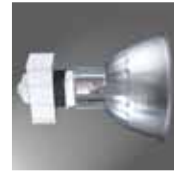
**LX 22" & 25" Prismatic  
Direct-Mount Steeler**  
p.33



**SE 18" & 23"  
E&G Steeler**  
p.11



**SS 22" Enhanced Refractor  
High-Bay Steeler**  
p.31



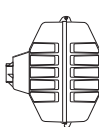
**SS 15", 18" & 23"  
Steeler**  
p.9



**LX 22" E & G Prismatic  
Acrylic Steeler**  
p.29



OPTIONS CAPABILITY MATRIX [ORDER SEPARATELY]

	PS	P	OR	SS	QB	HL	HSW	Q	EM	EM/SC	F1 (120, 277, 347V)	F2 (208, 240, 480V)	VI	QD	FH-1	FL-1	SHK	PC3	PHC	C3	HC 2.5	DL100	SCF	SCR	L/TCB	LL	DL	WLB	WLD	WLP	TE	RM	WG	WG18	WG23	FILT	MWS	P [Vertmark II]				
																																										
<b>BENCHMARK HOUSING</b>																																										
HB Benchmark																																										
EB E&G Aluminum High-Bay																																										
UB Benchmark Uplight																																										
HB VertX																																										
EB VertX																																										
RB Low-Bay																																										
GB Prismatic Glass High-Bay																																										
EB E&G Gasketed Glass																																										
HB Prismatic Acrylic																																										
EB E&G Gasketed Acrylic																																										
HB Enhanced Refractor																																										
XB Prismatic Direct-Mount																																										
<b>OTHER HOUSINGS</b>																																										
VF Vertmark																																										
BE Vertmark II																																										

NOTES: 1 Distance may be limited by ballast type. 2 30 second time delay when switching from bright to dim. Consult individual lamp manufacturers recommendations for compatible lamps. For use with CWA ballast only. 3 Not available with HL or HC option. 4 Not available with FH-1, FL-1 or SHK. 5 Not available with QD PC3. C3, PHC or MWS. Not available with single circuit MWS special order. 6 Available SA16 and SA23 only. 7 Standard. 8 Specify when using the TWMS5 or TV accessory. 9 Not available with QD, W, WL option.



HB High-Bay Benchmark p.10



EB 18" & 23" E&G Benchmark p.12



UB Benchmark Uplight p.13



HB VertX p.16



EB E&G VertX p.18



RB Low-Bay Benchmark p.20



GB 16" & 21" Prismatic Glass Benchmark p.24



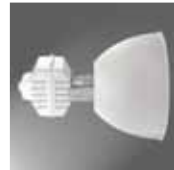
EB 16" & 21" E&G Glass Benchmark p.26



HB 16" & 25" Prismatic Benchmark p.28



EB 22" E&G Prismatic Acrylic Benchmark p.30



HB 22" Enhanced Refractor High-Bay Benchmark p.32



XB 22" & 25" Prismatic Direct-Mount Benchmark p.34



VF Vertmark p.21



BE Vertmark II p.22



DP AXIO Series [Compact Fluorescent] p.35

# COOPER LIGHTING - LUMARK



## QC QUADRA-MARK

### 175-400W

Pulse Start Metal Halide  
Metal Halide

#### RECESSED COMMERCIAL

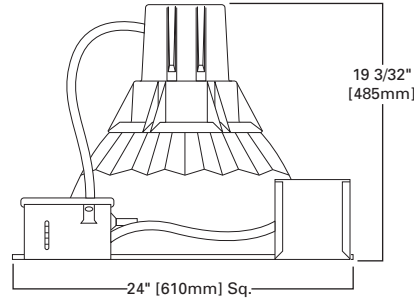
- UL Listed. CSA Certified. EISA Compliant
- Heavy-duty die-cast aluminum socket housing, finished with white polyester powder coat, allows full adjustment of socket assembly for a variety of distributions from concentrated to wide
- Computer-designed spun aluminum faceted reflector offers maximum light output with minimum voltage rise
- The thermally protected, high power factor 60Hz Metal Halide ballast is U.L. listed
- Prime cold-rolled steel pan is die-formed for maximum rigidity and has a 45° angled lip around the reflector opening to help reduce glare. It is finished with a white polyester powder coat and mounts easily into inverted T-bar ceilings
- Approximate net weight: 42 lbs. (19 kgs.)

#### DESCRIPTION

The Lumark Quadra-Mark is designed for easy installation on main T-bars or can be hung by wires in lay-in ceilings with 2' x 2' tiles.

The Quadra-Mark provides excellent distribution with minimal glare for use in supermarkets, hardware stores, auto showrooms, airport terminals, shopping malls and other areas with high ceilings requiring performance and aesthetics.

#### DIMENSIONS



#### ORDERING INFORMATION

SAMPLE NUMBER: MHQC-QCSA18-C-175-T-120V-QMGL

Lamp Type <sup>1</sup>	Series	Reflector Type	Distribution	Lamp Wattage	Mounting	Voltage <sup>2</sup>	Options
MP=Pulse Start Metal Halide MH=Metal Halide	QC=Quadra-Mark	QCSA18=18"	C=Concentrated M=Medium W=Wide	MP 175=175W 200=200W 250=250W 320=320W 350=350W 400=400W MH 175=175W 250=250W 400=400W	T=T Bar	120V 208V <sup>3</sup> 240V <sup>3</sup> 277V 347V 480V <sup>3</sup>	(See Below)

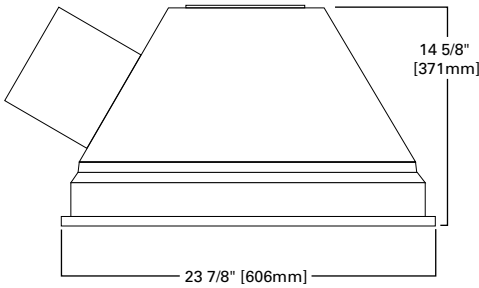
#### Options<sup>4</sup>

- OR=Open Rated Socket for MH Lamps
- Q=Quartz Restrike (Hot Strike Only)
- EM=Quartz Restrike with "Delay Relay" (Quartz lamp strikes at both hot and cold starts)<sup>5</sup>
- EM/SC=Emergency Separate Circuit
- LL=Lamp Included<sup>6</sup>
- F1=Single Fuse (120, 277 or 347V only)
- F2=Double Fuse (208, 240 or 480V only)
- HL=LumaWatt Fixture Control Module (Allows low voltage control wire to be daisy-chained between fixtures outside AC conduit run similar to low voltage intercom's, fire alarms and phone systems)<sup>7</sup>
- HC=LumaWatt Fixture Control Module (Low voltage leads pulled out of top connection box for areas requiring all wiring to be installed in conduit)<sup>7</sup>
- DL=U.L. Labeled for Damp Locations
- QMGL=Safety Glass Lens<sup>8</sup>
- WG/QC=Wire Guard
- QMGL/WG=Safety Glass Lens with Wire Guard<sup>8</sup>

**NOTES:** 1 Approved lamp containment barrier required when enclosed rated MP and MH lamps are used. 2005 NEC code requires that open luminaires must utilize a safety glass bottom (SGB) accessory or an open rated socket (OR) and lamp. 2 Products also available in non-US voltages and 50Hz for international markets. Consult factory for availability and ordering information. 88% EISA compliant MP fixtures not available in 347V. 3 Not available in Canada. 4 Add as suffix in the order shown. 5 Not available with HC or HL. 6 Lamp is shipped separate from luminaire. Lamp is Cooper designated product based on luminaire requirements. Specified lamps must be ordered as a separate line item. 7 Not available with EM or EM/SC. 8 Requires relamping of unit from above ceiling plane. 9 Specifications and dimensions subject to change without notice.

Lamp Type	Wattage
Pulse Start Metal Halide (MP)	175, 200, 250, 320, 350, 400W
Metal Halide (MH)	175, 250, 400W

## DIMENSIONS



## DESCRIPTION

The Lumark Quadra-Lume is perfect for applications which call for reliable, affordable illumination with minimal maintenance. Quadra-Lume is designed for easy installation on main T-bars or can be hung by wires in lay-in ceilings with 2' x 2' tiles.

The Quadra-Lume provides minimum surface brightness, excellent uniformity and gentle diffusion. It is ideal for use in department stores, banks, auto showrooms, schools, libraries, office buildings and auditoriums.



## QP QUADRA-LUME

**70-400W**

High Pressure Sodium  
Pulse Start Metal Halide  
Metal Halide

RECESSED COMMERCIAL  
WITH SPECULAR  
LOUVERS

## ORDERING INFORMATION

SAMPLE NUMBER: MHQP-S4/9-400-120-Q

Lamp Type	Series	Louver Color	Louver Size	Lamp Wattage <sup>3</sup>	Voltage <sup>4</sup>	Options & Accessories
MP=Pulse Start Metal Halide <sup>1,2</sup>	QP=Quadra-Lume w/ Specular Louvers	S4=Silver Louver, 4" Deep	/9=Nine-cell Louver with Glass Overlay /9/GL=Nine-cell Louver with Glass Overlay /16=16-cell Louver /16/GL=16-cell Louver with Glass Overlay	MP 70=70W 100=100W 175=175W 200=200W 250=250W 320=320W 350=350W 400=400W	120V 208V 240V 277V 347V 480V	(See Below)
MH=Metal Halide <sup>1</sup>				MH 175=175W 250=250W 400=400W		
HP=High Pressure Sodium				HP 70=70W 100=100W 150=150W 250=250W 400=400W		

### Options<sup>5</sup>

OR=Open Rated Socket for MH Lamps  
QB=Quiet Ballast<sup>6</sup>  
Q=Quartz Restrike (Hot Strike Only)  
EM=Quartz Restrike with "Delay Relay"  
(Quartz lamp strikes at both hot and cold starts)<sup>7</sup>  
EM/SC=Emergency Separate Circuit  
LL=Lamp Included<sup>8</sup>  
SCF=3' Aircraft Safety Cable Secures Housing to Ceiling  
(Alternative lengths available. Ex: SCF6=6' Cable)  
BDF=Black Door Frame  
G2=Double Gasketing Doors (Door to Lens, Lens to Door)  
VL=Vertical Lamp<sup>9</sup>  
F1=Single Fuse (120, 277 or 347V only)  
F2=Double Fuse (208, 240 or 480V only)  
HL=LumaWatt Fixture Control Module (Allows low voltage control wire to be daisy-chained between fixtures outside AC conduit run similar to low voltage intercom's, fire alarms and phone systems)<sup>10,11</sup>  
HC=LumaWatt Fixture Control Module (Low voltage leads pulled out of top connection box for areas requiring all wiring to be installed in conduit)<sup>10,11</sup>  
DL=U.L. Labeled for Damp Locations

### Accessories<sup>12</sup>

WGQF=Wire Guard<sup>13</sup>  
FTA=Flush Drywall Frame Kit, Natural Anodized Aluminum  
FTB=Flush Drywall Frame Kit, Black  
FTW=Flush Drywall Frame Kit, White

NOTES: 1 Fixtures with Metal Halide lamps MUST have glass overlay (GL). 2 150, 175, 200, 250, 320, 350 and 400W only. 3 All lamps are mogul-base. 150W-MH are available medium-base. 4 Products also available in non-US voltages and 50Hz for international markets. Consult factory for availability and ordering information. 88% efficient EISA compliant MP fixtures not available in 347V. 5 Add as suffix in the order shown. 6 120/277V Metal Halide only. 7 Not available with HC or HL. 8 Lamp is shipped separate from luminaire. Lamp is Cooper designated product based on luminaire requirements. Specified lamps must be ordered as a separate line item. 9 Adds 3 1/4" to overall fixture height. 10 Requires vertical lamp option (VL). 11 Not available with EM or EM/SC. 12 Order separately. 13 Not available with FTA, FTB or FTW. 14 Specifications and dimensions subject to change without notice.

Lamp Type	Wattage
Pulse Start Metal Halide (MP)	70, 100, 175, 200, 250, 320, 350, 400W
Metal Halide (MH)	175, 250, 400W
High Pressure Sodium (HP)	70, 100, 150, 250, 400W

- UL Listed. CSA Certified. EISA Compliant
- Die-formed heavy-duty housing is made of cold-rolled steel and finished in highly reflective white polyester powder coat. Stamped steel ballast mounting bracket is integral part of housing
- Die-formed steel reflector has removable panels for easy ballast access from below
- Die-formed heavy-gauge steel frame can be hinged and latched from either side. Stamped steel retaining clips assure flush fit of lens with frame
- Nine- or 16-cell, 4" deep, regressed specular louvers
- Approximate net weight: 49 lbs. (22 kgs.)

# COOPER LIGHTING - LUMARK



## QF QUADRA-LUME

**70-400W**  
High Pressure Sodium  
Pulse Start Metal Halide  
Metal Halide

RECESSED COMMERCIAL  
WITH FLAT LENS

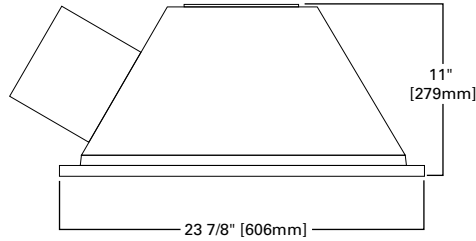
- UL Listed. CSA Certified. EISA Compliant
- Die-formed heavy-duty housing is made of cold-rolled steel and finished in highly reflective white polyester powder coat. Stamped steel ballast mounting bracket is integral part of housing
- Die-formed steel reflector has removable panels for easy ballast access from below
- Die-formed heavy-gauge steel frame can be hinged and latched from either side. Stamped steel retaining clips assure flush fit of lens with frame
- Gasketed flat prismatic acrylic, acrituf or C73 glass lens
- Approximate net weight: 39 lbs. (18 kgs.)

### DESCRIPTION

The Lumark Quadra-Lume is perfect for applications which call for reliable, affordable illumination with minimal maintenance. Quadra-Lume is designed for easy installation on main T-bars or can be hung by wires in lay-in ceilings with 2' x 2' tiles.

The Quadra-Lume provides minimum surface brightness, excellent uniformity and gentle diffusion. It is ideal for use in department stores, banks, auto showrooms, schools, libraries, office buildings and auditoriums.

### DIMENSIONS



### ORDERING INFORMATION

SAMPLE NUMBER: MHQF-GS-C73-400-120V-Q

<b>Lamp Type</b> <b>MP</b> =Pulse Start Metal Halide 1,2 <b>MH</b> =Metal Halide 1 <b>HP</b> =High Pressure Sodium	<b>Series</b> <b>QF</b> =Quadra-Lume w/ Flat Lens	<b>Door Frame</b> <b>GS</b> =Flat Steel <b>GO/GAS</b> =Flat Aluminum <b>GMXF</b> =Flat, Non-floating Aluminum Door Frame <b>GMXR</b> =3/8" Regressed Non-floating Aluminum Door Frame	<b>Lens Type 1</b> <b>A</b> =Acrylic <b>A/GL</b> =Acrylic with Glass Overlay <b>ACTF.140</b> =Acrituf, .140" thick <b>ACTF.187</b> =Acrituf, .187" thick <b>H8246</b> =Holothane 8246 <b>C73</b> =Prismatic Tempered Glass Lens <b>PL</b> =Polycarbonate	<b>Lamp Wattage 3</b> <b>MP</b> 70=70W 100=100W 175=175W 200=200W 250=250W 320=320W 350=350W 400=400W <b>MH</b> 175=175W 250=250W 400=400W <b>HP</b> 70=70W 100=100W 150=150W 250=250W 400=400W	<b>Voltage 4</b> 120V 208V 240V 277V 347V	<b>Options &amp; Accessories</b> (See Below)
---	--	---	---	--	--	---

#### Options 5

- OR**=Open Rated Socket for MH Lamps
- QB**=Quiet Ballast 6
- Q**=Quartz Restrike (Hot Strike Only)
- EM**=Quartz Restrike with "Delay Relay" (Quartz lamp strikes at both hot and cold starts) 7
- EM/SC**=Emergency Separate Circuit
- LL**=Lamp Included 8
- SCF**=3' Aircraft Safety Cable Secures Housing to Ceiling (Alternative lengths available. Ex: SCF6=6' Cable)
- BDF**=Black Door Frame
- G2**=Double Gasketing Doors (Door to Lens, Lens to Door)
- VL**=Vertical Lamp 9
- F1**=Single Fuse (120, 277 or 347V only)
- F2**=Double Fuse (208, 240 or 480V only)
- HL**=LumaWatt Fixture Control Module (Allows low voltage control wire to be daisy-chained between fixtures outside AC conduit run similar to low voltage intercom's, fire alarms and phone systems) 10, 11
- HC**=LumaWatt Fixture Control Module (Low voltage leads pulled out of top connection box for areas requiring all wiring to be installed in conduit) 10, 11
- DL**=U.L. Labeled for Damp Locations

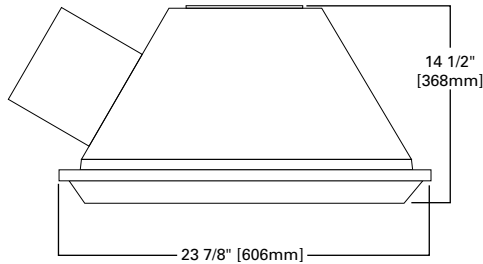
#### Accessories 12

- WGQF**=Wire Guard 13
- FTA**=Flush Drywall Frame Kit, Natural Anodized Aluminum
- FTB**=Flush Drywall Frame Kit, Black
- FTW**=Flush Drywall Frame Kit, White

**NOTES:** 1 Fixtures with Metal Halide lamps MUST have protective glass lens (C73) or glass overlay (GL). 2 200, 250, 320, 350 and 400W only. 3 All lamps are mogul-base. 150W-MH and lower are available medium-base. 4 Products also available in non-US voltages and 50Hz for international markets. Consult factory for availability and ordering information. 88% EISA complaint MP fixtures not available in 347V. 5 Add as suffix in the order shown. 6 120/277V Metal Halide only. 7 Not compatible with HC or HL. 8 Lamp is shipped separate from luminaire. Lamp is Cooper designated product based on luminaire requirements. Specified lamps must be ordered as a separate line item. 9 Adds 3 1/4" to overall fixture height. 10 Requires vertical lamp option (VL). 11 Not compatible with EM or EM/SC. 12 Order separately. 13 Not available with FTA, FTB or FTW. 14 Specifications and dimensions subject to change without notice.

Lamp Type	Wattage
Pulse Start Metal Halide (MP)	70, 100, 175, 200, 250, 320, 350, 400W
Metal Halide (MH)	175, 250, 400W
High Pressure Sodium (HP)	70, 100, 150, 250, 400W

## DIMENSIONS



## DESCRIPTION

The Lumark Quadra-Lume is perfect for applications which call for reliable, affordable illumination with minimal maintenance. Quadra-Lume is designed for easy installation on main T-bars or can be hung by wires in lay-in ceilings with 2' x 2' tiles.

The Quadra-Lume provides minimum surface brightness, excellent uniformity and gentle diffusion. It is ideal for use in department stores, banks, auto showrooms, schools, libraries, office buildings and auditoriums.



## QD QUADRA-LUME

**70-400W**  
High Pressure Sodium  
Pulse Start Metal Halide  
Metal Halide

RECESSED COMMERCIAL  
WITH DROP LENS

## ORDERING INFORMATION

SAMPLE NUMBER: MHQD-GO/GAS/A-400-120V-Q

Lamp Type	Series	Door Frame	Lens Type <sup>1</sup>	Lamp Wattage <sup>3</sup>	Voltage <sup>5</sup>	Options & Accessories
MP=Pulse Start Metal Halide <sup>1,2</sup> MH=Metal Halide <sup>1</sup> HP=High Pressure Sodium	QD=Quadra-Lume w/ Drop Lens	GO/GAS/=Flat Aluminum	A=Acrylic Lens A/GL=Acrylic Lens with Glass Overlay P=Polycarbonate Lens P/GL=Polycarbonate Lens with Glass Overlay	MP 70=70W 100=100W 175=175W 200=200W 250=250W 320=320W 350=350W 400=400W MH 175=175W 250=250W 400=400W HP 70=70W 100=100W 150=150W 250=250W 400=400W	120V 208V 240V 277V 347V	(See Below)

### Options <sup>6</sup>

OR=Open Rated Socket for MH Lamps  
 QB=Quiet Ballast <sup>7</sup>  
 Q=Quartz Restrike (Hot Strike Only)  
 EM=Quartz Restrike with "Delay Relay"  
 (Quartz lamp strikes at both hot and cold starts) <sup>8</sup>  
 EM/SC=Emergency Separate Circuit  
 LL=Lamp Included <sup>9</sup>  
 SCF=3' Aircraft Safety Cable Secures Housing to Ceiling (Alternative lengths available. Ex: SCF6=6' Cable)  
 BDF=Black Door Frame  
 G2=Double Gasketing Doors (Door to Lens, Lens to Door)  
 VL=Vertical Lamp <sup>10</sup>  
 F1=Single Fuse (120, 277 or 347V only)  
 F2=Double Fuse (208, 240 or 480V only)  
 HL=LumaWatt Fixture Control Module (Allows low voltage control wire to be daisy-chained between fixtures outside AC conduit run similar to low voltage intercom's, fire alarms and phone systems) <sup>11,12</sup>  
 HC=LumaWatt Fixture Control Module (Low voltage leads pulled out of top connection box for areas requiring all wiring to be installed in conduit) <sup>11,12</sup>  
 DL=U.L. Labeled for Damp Locations

### Accessories <sup>13</sup>

FTA=Flush Drywall Frame Kit, Natural Anodized Aluminum  
 FTB=Flush Drywall Frame Kit, Black  
 FTW=Flush Drywall Frame Kit, White

NOTES: **1** Fixtures with Metal Halide lamps MUST have glass overlay (GL). **2** 200, 250, 320, 350 and 400W only. **3** All lamps are mogul-base. 150W MH and lower are available medium-base. **4** Pulse Start Metal Halide only. **5** Products also available in non-US voltages and 50Hz for international markets. Consult factory for availability and ordering information. 88% EISA complaint MP fixtures not available in 347V. **6** Add as suffix in the order shown. **7** 120/277V Metal Halide only. **8** Not compatible with HC or HL. **9** Lamp is shipped separate from luminaire. Lamp is Cooper designated product based on luminaire requirements. Specified lamps must be ordered as a separate line item. **10** Adds 3 1/4" to overall fixture height. **11** Requires vertical lamp option (VL). **12** Not compatible with EM or EM/SC. **13** Order separately. **14** Specifications and dimensions subject to change without notice.

Lamp Type	Wattage
Pulse Start Metal Halide (MP)	70, 100, 175, 200, 250, 320, 350, 400W
Metal Halide (MH)	175, 250, 400W
High Pressure Sodium (HP)	70, 100, 150, 250, 400W

- UL Listed. CSA Certified. EISA Compliant
- Die-formed heavy-duty housing is made of cold-rolled steel and finished in highly reflective white polyester powder coat. Stamped steel ballast mounting bracket is integral part of housing
- Die-formed steel reflector has removable panels for easy ballast access from below
- Die-formed heavy-gauge steel frame can be hinged and latched from either side. Stamped steel retaining clips assure flush fit of lens with frame
- Virgin acrylic prismatic drop lens with UV inhibitor
- Approximate net weight: 43 lbs. (20 kgs.)

# COOPER LIGHTING - LUMARK



## CL/CS CANOPY LIGHT

### 100-400W

High Pressure Sodium  
Pulse Start Metal Halide  
Metal Halide

CANOPY LIGHT  
AREA/SITE LIGHT

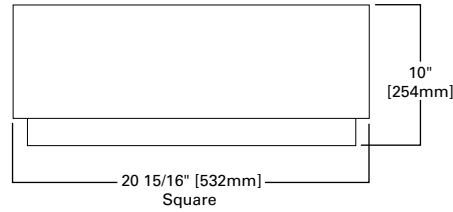
- UL Wet Location Listed. CSA Certified. EISA Compliant
- CL housing is constructed of heavy-gauge aluminum with welded corners providing good heat dissipation. CS housing is constructed of durable steel welded construction
- Weather- and abrasion-resistant white polyester powder coat finish
- Fully gasketed door frame seals out contaminants
- High power factor ballast with class H insulation. CL construction is listed for 40°C ambient environments. CS construction is listed for 25°C ambient environments
- Optical system features an injection-molded prismatic lens with internal prisms and white highly reflective internal surface
- Hinged door provides easy access for maintenance and relamping and door can be removed to simplify installation
- Approximate net weight: 44 lbs. (20 kgs.)

### DESCRIPTION

The Lumark Canopy Light combines lasting durability and excellent photometrics. CSA certified for wet locations.

The Canopy Light mounts quickly to a variety of surfaces, making it ideal for covered walkways, convenience store/service station canopies and enclosed parking areas.

### DIMENSIONS



### ORDERING INFORMATION

SAMPLE NUMBER: MPCL-400-MT-Q

Lamp Type	Series	Lamp Wattage <sup>4</sup>	Voltage <sup>6</sup>	Options <sup>8</sup>
MP=Pulse Start Metal Halide <sup>1</sup>	CL=Canopy Light (Aluminum Housing) <sup>2</sup>	MP	120V=120V	F1=Single Fuse (120, 277 or 347V only)
MH=Metal Halide	CS=Canopy Light (Steel Housing) <sup>3</sup>	100=100W	208V=208V	F2=Double Fuse (208, 240 or 480V only)
HP=High Pressure Sodium		150=150W	240V=240V	Q=Quartz Restrike (Hot strike only)
		200=200W	277V=277V	EM=Quartz Restrike with "Delay Relay" (Quartz lamp strikes at both hot and cold starts)
		250=250W	347V=347V <sup>7</sup>	C73=Flat Prismatic Tempered Glass Lens
		320=320W	480V=480V	LL=Lamp Included <sup>9</sup>
		350=350W	MT=Multi-Tap wired 277V	POM=Position Oriented Socket
		400=400W	TT=Triple-Tap wired 347V <sup>7</sup>	
		MH		
		175=175W		
		250=250W		
		400=400W		
		HP		
		100=100W		
		150=150W		
		250=250W		
		400=400W		

NOTES: 1 150, 200, 250, 320, 350, and 400W. 2 40°C Ambient environment, except 400W HP is 25°C ambient. 3 25°C Ambient environment. 4 All lamps are mogul-base except 100W MP and below are medium-base. Lamp not included. 5 175W, 250W, 400W MH is available for non-US markets only. 6 Products also available in non-US voltages and 50HZ for international markets. 7 88% Efficient EISA Compliant MP fixtures not available in 347 and TT voltages. 8 Add as suffix in the order shown. 9 Lamp is shipped separately from luminaire. Lamp is Cooper designated product based on luminaire requirements. Specified lamps must be ordered as a separate line item. 10 Specifications and dimensions subject to change without notice.

### STOCK SAMPLE NUMBER

SAMPLE NUMBER: MPCL-400-MT-LL

Lamp Type	Series	Lamp Wattage	Voltage	Options
MP	CL	150	MT	LL (Lamp Included)
		250		
		320 <sup>1</sup>		
		400 <sup>1</sup>		

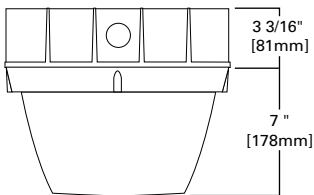
NOTES: Standard Multi-Tap. Refer to In-Stock Guide for availability. Options not available with stock products. Refer to standard order information and options.  
1 Available without lamp MPCL-320-MT or MPCL-400-MT.

Lamp Type	Wattage
Pulse Start Metal Halide (MP)	100, 150, 200, 250, 320, 350, 400W
Metal Halide (MH)	175, 250, 400W
High Pressure Sodium (HP)	100, 150, 250, 400W

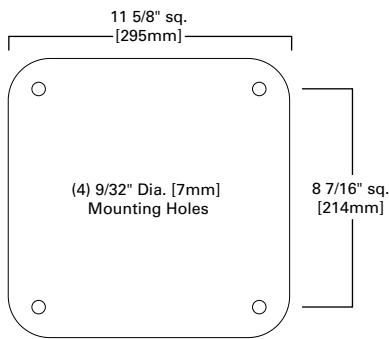
Voltage Chart	
MT=Multi-Tap	120/208/240/277V (wired 277V)
TT=Triple-Tap	120/277/347V (wired 347V)

# COOPER LIGHTING - LUMARK

## DIMENSIONS



## MOUNTING DIMENSIONS



## DESCRIPTION

The Lumark Parker combines strength-gaining architecture with energy-saving technology. U.L. listed for wet locations and CSA certified. Mount on non-combustible surface.

The durable, versatile Parker is perfect for use in parking bays, entrances and stairwells, as well as rapid transit stations and loading docks.



## PR PARKER

### 70-175W

High Pressure Sodium  
Pulse Start Metal Halide  
Metal Halide

CLEAR PRISMATIC  
POLYCARBONATE  
PARKING GARAGE  
LUMINAIRE

## ORDERING INFORMATION

SAMPLE NUMBER: HPPR-70N-120V-Q

<b>Lamp Type</b> MP=Pulse Start Metal Halide MH=Metal Halide HP=High Pressure Sodium	<b>Series</b> PR=Parker	<b>Lamp Wattage</b> MP 70=70W 100=100W 150=150W MH 175=175W <sup>1</sup> HP 70=70W 100=100W 150=150W <sup>2</sup>	<b>Ballast</b> H=High Power Factor N=Normal Power Factor W=HPF CWA <sup>3</sup>	<b>Voltage<sup>4</sup></b> 120V=120V 208V=208V 240V=240V 277V=277V 347V=347V 480V=480V MT=Multi-Tap wired 277V TT=Triple-Tap wired 347V	<b>Options<sup>5</sup></b> F1=Single Fuse (120, 277 or 347V only) F2=Double Fuse (208, 240 or 480V only) TR=Tamper Resistant Screws Q=Quartz Restrike DC Bayonet Base (Quartz lamp will not come on at initial cold start) LL=Lamp Included <sup>6</sup> QM=Quick Mount	<b>Accessories<sup>7</sup></b> TK=Trunnion Kit VRSD=Tamper-Resistant Screwdriver VRSB=Tamper-Resistant Bit
---	----------------------------	---	--	---	--	---

**NOTES:** 1 Uses S-55 (55 Volt) lamp only. 2 175W MH is available for non-US markets only. 3 HPF CWA not available in 70W and 100W MP or HP. High Power Factor is required for all MH and MP products. 4 Products also available in non-US voltages and 50HZ for international markets. 5 Add as suffix in the order shown. 6 Lamp is shipped separately from luminaire. Lamp is Cooper designated product based on luminaire requirements. Specified lamps must be ordered as a separate line item. 7 Order separately. 8 Specifications and dimensions subject to change without notice.

## STOCK SAMPLE NUMBER (LAMP INCLUDED)

SAMPLE NUMBER: MPPR-100H-MT-LL

<b>Lamp Type</b> MP	<b>Series</b> PR	<b>Lamp Wattage</b> 100H	<b>Voltage</b> MT	<b>Options</b> LL (Lamp Included)
------------------------	---------------------	-----------------------------	----------------------	--------------------------------------

**NOTES:** Options not available with stock products. Refer to standard order information and options. Refer to In-Stock Guide for availability.

- UL Wet Location Listed. CSA Certified
- One-piece injection-molded UV stabilized polycarbonate lens is a minimum of 0.130" thick. All light-control prisms and blondels are on the inside surface of the lens, reducing dirt build-up and making cleaning easier
- Lens is held with four stainless steel screws. Fasteners are captive in the lens and sealed by means of a neoprene O-ring
- Die-cast aluminum with reinforcing ribs on exposed sidewalls. Thickened areas occur at lens junction and at mounting/fastening holes. Four 1/2" NPT conduit entries in sides and one in back of housing. Black polyester powder coat is standard
- One-piece die-cut closed-cell silicone mounting gasket
- Copper-wound NPF ballast standard. Ballast is available in high power factor with some lamps. Consult ordering information
- Porcelain medium-base socket with nickel-plated brass screw shell
- Approximate net weight: 20 lbs. (9 kgs.)

Lamp Type	Wattage
Pulse Start Metal Halide (MP)	70, 100, 150W
Metal Halide (MH)	175W
High Pressure Sodium (HP)	70, 100, 150W

Voltage Chart	
MT=Multi-Tap	120/208/240/277V (wired 277V)
TT=Triple-Tap	120/277/347V (wired 347V)

# COOPER LIGHTING - LUMARK



## PD PARK-KING

### 35-175W

High Pressure Sodium  
Pulse Start Metal Halide  
Metal Halide

#### PARKING GARAGE LUMINAIRE

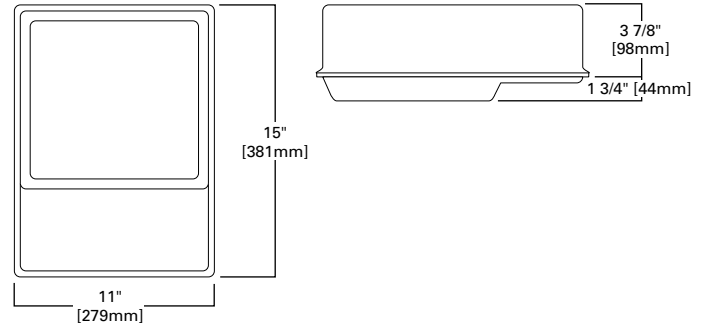
- UL Wet Location Listed. CSA Certified
- One-piece die-cast aluminum housing has soft-corner design and is finished in polyester powder coat
- Clear polycarbonate lens standard. Optional flat tempered glass lens available. Standard and tamper-proof lens screws included
- Hydroformed polished aluminum reflector provides sharp cutoff in symmetrical square or asymmetrical forward throw designs
- Sealed feed-through wiring compartment with quick-release clamps and hubs on housing sides and top for 3/4" NPT surface ceiling conduit
- Closed-cell, gas-filled, high-temperature silicone gasketing seals out water and other external contaminants
- Approximate net weight: 14 lbs. (6 kgs.)

#### DESCRIPTION

Lumark's Park-King sets the standard for parking facility lighting. CSA certified and U.L. listed for wet locations, the Park King's self-contained design and vandal-proofing contribute to a long service life and low maintenance costs.

By controlling glare and providing excellent uniformity, the Park-King improves vehicular movement and pedestrian safety in parking garage facilities.

#### DIMENSIONS



#### ORDERING INFORMATION

SAMPLE NUMBER: MPPD-A-F-150-120V

Lamp Type	Series	Distribution	Mounting	Lamp Wattage	Voltage <sup>1</sup>	Options & Accessories (See Below)
MP=Pulse Start Metal Halide	PD=Park-King	S=Symmetric A=Asymmetric	F=Flush	MP 50=50W 70=70W 100=100W 150=150W	120=120V 208=208V 240=240V 277=277V 347=347V 480=480V	
MH=Metal Halide				HP 175=175W <sup>1</sup>	MT=Triple-Tap wired 277V	
HP=High Pressure Sodium				MH 35=35W 50=50W 70=70W 100=100W 150=150W	TT=Multi-Tap wired 347V	

#### Options<sup>2</sup>

F1=Single Fuse (120, 277 or 347V only)  
F2=Double Fuse (208, 240 or 480V only)  
Q=Quartz Restrike (Hot strike only)<sup>3</sup>  
LL=Lamp Included<sup>4</sup>  
G=Tempered Flat Glass Lens (Clear)<sup>5</sup>

#### Accessories<sup>6</sup>

PDA200=Wire Vandal Guard  
PDA100XX=Cast Mounting Bracket for Wall or Pole Mounting  
PDA300=Concrete Pour Kit for Recessed Mounting  
PDA400XX=Quick-mount Slide Box Over Standard 4" Junction Box<sup>7</sup>  
PB120V=Button-type Photocontrol Field Installed (120V only)  
PB-208/240V=Button-type Photocontrol Field Installed (208/240V only)  
PB-277V=Button-type Photocontrol Field Installed (277V only)  
SD2925PK=Screwdriver for Tamper-Resistant Screws

**NOTES:** 1 175W MH is available for non-US markets only. 2 Add as suffix in the order shown. 3 150W maximum quartz lamp. Lamp not included. 4 Lamp is shipped separately from luminaire. Lamp is Cooper designated product-based on luminaire requirements. Specified lamps must be ordered as a separate line item. 5 Fixtures with MP or MH lamps must have glass overlay (G). 6 Order separately. 7 Adds 1-3/4" to fixture height. 8 Specifications and dimensions subject to change without notice.

Lamp Type	Wattage
Pulse Start Metal Halide (MP)	150, 70, 100, 150W
Metal Halide (MH)	175W
High Pressure Sodium (HP)	35, 50, 70, 100, 150W

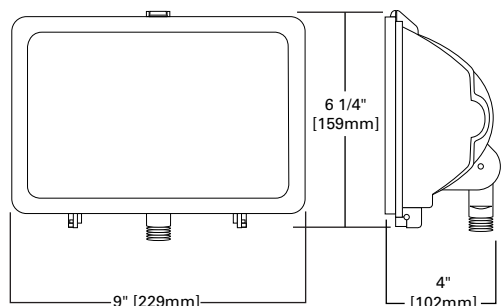
Voltage Chart	
DT=Dual-Tap	120/277V (wired 277V)
MT=Multi-Tap	120/208/240/277V (wired 277V)
TT=Triple-Tap	120/277/347V (wired 347V)



# COOPER LIGHTING - LUMARK

## DESCRIPTION

The Lumark QZ Wedge is a compact, economical alternative to traditional outdoor floodlighting. The black or white finishes provide lasting durability with optics that deliver optimum beam control. U.L. listed and labeled for wet locations. CSA certified.



## SPECIFICATION FEATURES

- Die-cast aluminum housing finished in black or white paint for lasting durability
- Adjustable stem mounting arm fits 1/2" NPS outlet box cover
- Anodized aluminum reflector provides maximum beam control and efficiency
- Porcelain lamp sockets for 300-500W quartz lamp
- Heat- and weather-resistant gasketing seals out external contaminants
- Hinged door frame has toolless entry latch
- U.L. listed for wet locations. CSA certified
- Approximate net weight: 3 lbs. (1 kgs.)



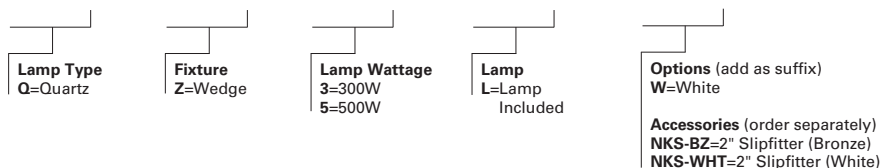
### QZ WEDGE

300 - 500 W  
Quartz

FLOODLIGHT

## ORDERING INFORMATION (LAMP INCLUDED)

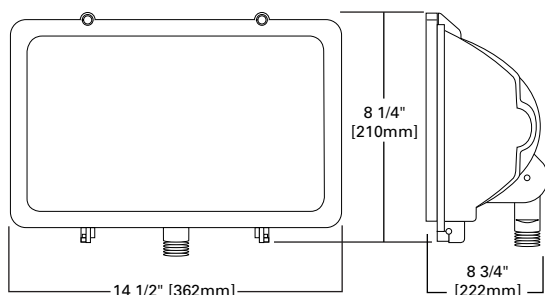
SAMPLE NUMBER: QZ5L



NOTES: 1 Standard unit has 1/2" NPT threaded knuckle for mounting. 2" slipfitter is available as an accessory. 2 120 Volt operation only. 3 Specifications and dimensions subject to change without notice. 4 Products also available in non-US voltages and 50Hz for international markets.

## DESCRIPTION

The Lumark LQL1500 has a heat- and impact-resistant clear glass lens, mounted in a gasketed, die-cast hinged aluminum door with captive screw fasteners for positive latching. U.L. listed and labeled for wet locations. CSA certified.



## SPECIFICATION FEATURES

- Captive screw fasteners provide positive weatherproof seal
- Finished in dark bronze paint
- Clear tempered glass lens is heat- and impact-resistant
- Quartz lamp provides white light for excellent color rendition
- Die-cast aluminum door is sealed with full-circumference gasketing to die-cast aluminum housing installation to J-box and can be wall or eaves mounted
- Integral hinge design permits hands-free relamping and easy door removal
- Adjustable stem mounting arm fits 1/2" NPT outlet box cover
- U.L. listed for wet locations. CSA certified
- Approximate net weight: 4.5 lbs. (2.5 kgs.)



### LQL1500 QUARTZ FLOOD

1500 W (Max.)  
Quartz

FLOODLIGHT

[240V LAMP INCLUDED]

## ORDERING INFORMATION (LAMP INCLUDED)

SAMPLE NUMBER: LQL1500WL240

Catalog Number	Lamp Wattage	Lamp Type	Voltage	Color
LQL1500WL240	1500W	T3 Quartz	240V	Bronze

NOTES: 1 240V T3 lamp included. 2 Specifications and dimensions subject to change without notice. 3 Products also available in non-US voltages and frequencies for international markets. 4 Consult your Cooper Lighting Representative for availability and ordering information.

# COOPER LIGHTING - LUMARK



## SF FALCON

**35-175W**  
High Pressure Sodium  
Pulse Start Metal Halide  
Metal Halide

**26-70W**  
Compact Fluorescent

### LOW WATTAGE FLOODLIGHT

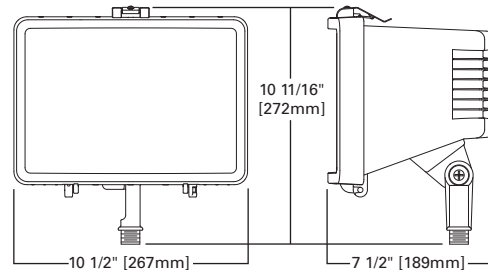
- UL Wet Location Listed
- Tempered glass lens is impact and thermal shock resistant. Easily released die-cast aluminum doorframe with stainless steel toolless latch
- Die-cast aluminum housing is finished in weather and abrasion resistant dark bronze polyester powder paint. Optional colors are available
- Full-circumference silicone gasket seals out external contaminants
- Pulse rated, 4KV, medium-base porcelain lamp socket standard for HID. Electronic compact 4-pin fluorescent sockets standard for CF lamp options
- Formed aluminum hammered reflector optimized beam efficiency and control
- Adjustable ANSI 1G rated stem mounting arm fits 1/2" NPS outlet box cover. (RBC round outlet box cover not included, order separately). Optional heavy-gauge steel adjustable trunnion mounting provides additional durability when required
- Approximate net weight: 18 lbs. (8 kgs.)

### DESCRIPTION

The Lumark Falcon is a stylish and rugged luminaire that combines value and performance with a soft, architecturally appealing form. This soft rounded corner, die-cast construction is excellent for applications that have a high visibility and where a uniform beam distribution is desired.

The Falcon floodlight can be wall or pole mounted, making it ideal for all commercial, industrial and residential low wattage floodlighting applications.

### DIMENSIONS



### ORDERING INFORMATION

SAMPLE NUMBER: MPSF-T-100H-240V-F2-TR-PE-BZ-LL

<b>Lamp<sup>1</sup></b> MP=Pulse Start Metal Halide MH=Metal Halide HP=High Pressure Sodium CF=Compact Fluorescent	<b>Mounting</b> K=Knuckle T=Trunnion	<b>Lamp Wattage<sup>1</sup></b> <table border="1"> <tr> <th>MP</th> <th>CF</th> </tr> <tr> <td>50=50W</td> <td>26=(1) 26W</td> </tr> <tr> <td>70=70W</td> <td>32=(1) 32W</td> </tr> <tr> <td>100=100W</td> <td>42=(1) 42W</td> </tr> <tr> <td>150=150W<sup>4</sup></td> <td>52=(2) 26W</td> </tr> <tr> <td>MH</td> <td>57=(1) 57W</td> </tr> <tr> <td>175=175W<sup>1</sup></td> <td>60=(1) 60W</td> </tr> <tr> <td>HP</td> <td>64=(2) 32W</td> </tr> <tr> <td>35=35W<sup>2,3</sup></td> <td>70=(1) 70W</td> </tr> <tr> <td>50=50W</td> <td></td> </tr> <tr> <td>70=70W</td> <td></td> </tr> <tr> <td>100=100W</td> <td></td> </tr> <tr> <td>150=150W</td> <td></td> </tr> </table>	MP	CF	50=50W	26=(1) 26W	70=70W	32=(1) 32W	100=100W	42=(1) 42W	150=150W <sup>4</sup>	52=(2) 26W	MH	57=(1) 57W	175=175W <sup>1</sup>	60=(1) 60W	HP	64=(2) 32W	35=35W <sup>2,3</sup>	70=(1) 70W	50=50W		70=70W		100=100W		150=150W		<b>Ballast</b> _=Normal Power Factor H=High Power Factor <sup>4</sup>	<b>Voltage<sup>5</sup></b> 120V <sup>6</sup> 208V <sup>7</sup> 240V <sup>7</sup> 277V 347V <sup>8</sup> 480V DT=Dual-Tap MT=Multi-Tap wired 277V TT=Triple-Tap wired 347V <sup>8</sup> E=Electronic (120-277V) <sup>9</sup>	<b>Options &amp; Accessories</b> (See Below)
MP	CF																														
50=50W	26=(1) 26W																														
70=70W	32=(1) 32W																														
100=100W	42=(1) 42W																														
150=150W <sup>4</sup>	52=(2) 26W																														
MH	57=(1) 57W																														
175=175W <sup>1</sup>	60=(1) 60W																														
HP	64=(2) 32W																														
35=35W <sup>2,3</sup>	70=(1) 70W																														
50=50W																															
70=70W																															
100=100W																															
150=150W																															

<b>Series</b> SF=Falcon	<b>Options<sup>10</sup></b> LL=Lamp Included (Must Specify Single Wattage with Fluorescent) TR=Tamper-Resistant Screws PE=Internal Photocontrol (Specify Voltage) PC=Button Type Photocontrol F1=Single Fuse (120, 277 or 347V. Specify Voltage) <sup>11</sup> F2=Double Fuse (208, 240 or 480V. Specify Voltage) <sup>11</sup> BZ=Bronze BK=Black WH=White AP=Grey	<b>Accessories<sup>12</sup></b> FA5-XX=2" Slipfitter for Trunnion Fixture RAB-XX=Right Angle Pipe Bracket for Slipfitters SAB-XX=Steel Angle Bracket for Trunnion PE/MT=Field-Installed Photocontrol RBC-XX=Round Outlet Box Cover SF/VS=Vandal Shield SF/WG=Wire Guard TRSD-6/32=Tamper-Resistant Screwdriver SF/TR=Tamper-Resistant Screw SF/V-XX=Visor SPK=Landscape Post (Standard Color Dark Grey)
----------------------------	---	--

NOTES: 1 All HID lamps are medium-base 175W MH is available for non-US markets only. 2 HP only. 3 120V only. 4 150W MP available in High Power Factor Ballast only. High Power Factor Ballast required on all MP, MH and CF products. 5 Products also available in non-US voltages and 50Hz for international markets. 6 Reactor ballasts used for HP lamps when specified. 7 Not available in Canada. 8 Canada only. 9 Compact fluorescent only. In cold temperatures, Compact Fluorescent lamps produce lower level illumination levels. 10 Add as suffix in the order shown. 11 100W MP maximum. 12 Order separately, replace XX with color suffix. 13 Specifications and dimensions subject to change without notice.

### STOCK SAMPLE NUMBER (LAMP INCLUDED): High Pressure Sodium & Pulse Start Metal Halide

SAMPLE NUMBER: MPSF10K-MT

<b>Lamp Type</b> MP=Pulse Start Metal Halide HP=High Pressure Sodium	<b>Series</b> SF=Falcon	<b>Lamp Options</b> 70=70W 10=100W 15=150W	<b>Mounting</b> K=Knuckle T=Trunnion	<b>Wiring Options</b> DT=Dual Tap (120/277V) MT=Multi-Tap	NOTE: Refer to In-Stock Guide for availability.
--	----------------------------	---	--	---	---

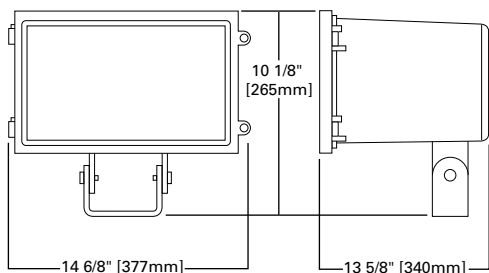
### STOCK SAMPLE NUMBER (LAMP INCLUDED): Compact Fluorescent

SAMPLE NUMBER: CFSF-K-42-E-LL

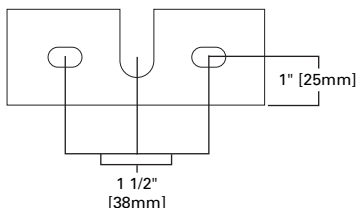
<b>Lamp Type</b> CFSF=Compact Fluorescent Falcon	<b>Mounting</b> K=Knuckle	<b>Lamp Options</b> 42=42W	<b>Wiring Options</b> E=Electronic Ballast	<b>Lamp Included</b> LL=Lamp Included	NOTES: Options not available with stock products. Order Accessories as separate items for field installation. Refer to standard ordering information to add options and accessories. Refer to In-Stock Guide for availability.
---	------------------------------	-------------------------------	---	--	--

<b>Lamp Type</b> Pulse Start Metal Halide (MP) Metal Halide (MH) High Pressure Sodium (HP) Compact Fluorescent (CF)	<b>Wattage</b> 50, 70, 100, 150W 175W 35, 50, 70, 100, 150W (1) 26, (1) 32, (1) 42 (2) 26 (1) 57W (1) 60, (2) 32, (1) 70W	<b>Voltage Chart</b> DT=Dual-Tap MT=Multi-Tap TT=Triple-Tap E=Electronic (CF only)	120/277V (wired 277V) 120/208/240/277V (wired 277V) 120/277/347V (wired 347V) 120-277V (wired 277V (50/60 Hz))
---	--	--	---

## DIMENSIONS



## TRUNNION-MOUNT DRILL PATTERN



EPA-Effected Projected Area: .87 Square Feet

## ORDERING INFORMATION

SAMPLE NUMBER: MPXF25T

<b>Lamp Type</b> MP=Pulse Start Metal Halide MH=Metal Halide <sup>1</sup> HP=High Pressure Sodium	<b>Series<sup>2</sup></b> XF=Falcon	<b>Lamp Wattage (Lamp Included)</b> MP 25=250W 32=320W 35=350W 40=400W MH <sup>1</sup> 25=250W 40=400W HP 25=250W 40=400W	<b>Mounting</b> T=Trunnion	<b>Options<sup>3</sup></b> W=White Housing Finish	<b>Accessories<sup>4</sup></b> XF/WG=Wire Guard XF/SFXX=Slipfitter XF/FCXX=Side and Top Visor XF/GSXX=Glass Replacement Door
--	--	--	-------------------------------	--	--

NOTES: 1 MH available in non-US markets only. 2 Supplied with multi-tap voltages (120/208/240/277V). 3 Add "W" to the end of catalog number for white finish. 4 Order separately. Add "WHT" to the end of accessory number for white finish. (Example: XF/WG-WHT). 5 Specifications and dimensions subject to change without notice.

## STOCK SAMPLE NUMBER (LAMP INCLUDED)

SAMPLE NUMBER: MPXF25T

<b>Lamp Type</b> MP=Pulse Start Metal Halide HP=High Pressure Sodium	<b>Series</b> XF=Falcon	<b>Lamp Wattage</b> 25=250W 32=320W <sup>1</sup> 40=400W	<b>Mounting</b> T=Trunnion
--	----------------------------	---	-------------------------------

NOTE: 1 320W available in MP only. Standard multi-tap and bronze. Refer to In-Stock Guide for availability. Options not available with stock products. Refer to standard order information to add options.

## DESCRIPTION

The compact die-cast aluminum Falcon floodlight blends well in almost any setting. It features an adjustable trunnion which allows exceptional mounting flexibility and light control. U.L. listed and labeled for wet locations. CSA certified.

The Falcon floodlight can be wall or pole mounted, making it perfect for all commercial, industrial and residential low wattage floodlighting applications.



## XF FALCON

250 - 400 W

High Pressure Sodium  
Pulse Start Metal Halide  
Metal Halide

FLOODLIGHT

- UL Wet Location Listed. CSA Certified. EISA Compliant
- Tempered glass lens is impact- and thermal shock-resistant. Four point door connection provides positive seal to housing
- Die-cast aluminum housing is finished in weather- and abrasion-resistant dark bronze polyester powder coat
- Full-circumference silicone gasket seals out external contaminants
- 5KV pulse-rated mogul-base porcelain lamp socket for HID lamps
- Mogul-base lamp included and available up to 400W HP, MP or MH
- Formed-aluminum reflector optimizes beam efficiency and control
- Polyester powder coated steel trunnion mount provides stability and adjustable aiming. Optional slipfitter available (order separately)
- Approximate net weight: 33 lbs. (15 kgs.)

Lamp Type	Wattage
Pulse Start Metal Halide (MP)	250, 320, 350, 400W
Metal Halide (MH)	250, 400W
High Pressure Sodium (HP)	250, 400W

# COOPER LIGHTING - LUMARK



## MS IMPACT FLOOD SMALL

**50-175W**  
High Pressure Sodium  
Pulse Start Metal Halide  
Metal Halide

**26-42W**  
Compact Fluorescent

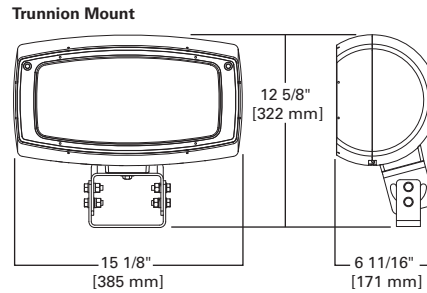
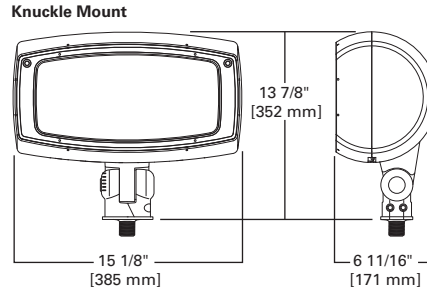
ARCHITECTURAL  
FLOOD LUMINAIRE

- UL Wet Location Listed. CSA Certified
- Rugged one-piece die-cast aluminum housing. One-piece extruded silicone gasket seals the optical and electrical compartment from external contaminants
- Die-cast aluminum door is secured via two (2) tamper resistant stainless steel allen head fasteners
- Impact resistant, clear flat tempered glass sealed to door with a one-piece silicone gasket
- Available in horizontal or vertical lamp orientation. Optics feature medium-base lamp holders for HID
- High power factor ballast are heat sunk to housing for cooler operation and longer life
- Heavy-duty die-cast aluminum knuckle mount utilizes tooth-lock adjustment mechanism for solid engagement and ease of aiming. Optional heavy-gauge adjustable steel trunnion mount provides additional durability when required
- Approximate net weight: 25 lbs. (11.36 kgs.)

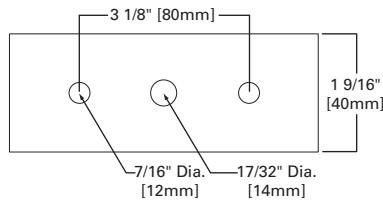
### DESCRIPTION

Impact Flood's cylindrical form blends effortlessly to architectural and landscape environments. Available in wattages up to 175W Metal Halide and High Pressure Sodium, and up to 42W Compact Fluorescent. Impact Flood offers properly scaled solutions for any floodlighting application.

### DIMENSIONS



### TRUNNION DRILL PATTERN



EPA-Effected Projected Area: 1.12

### ORDERING INFORMATION

SAMPLE NUMBER: MPMS-K-HF-150-MT-LL

<p><b>Lamp Type</b><sup>1</sup></p> <p>MP=Pulse Start Metal Halide</p> <p>MH=Metal Halide<sup>2</sup></p> <p>HP=High Pressure Sodium</p> <p>CF=Compact Fluorescent</p>	<p><b>Lamp Wattage</b></p> <p>MP</p> <p>50=50W</p> <p>70=70W</p> <p>100=100W</p> <p>150=150W</p> <p>MH</p> <p>175=175W<sup>2</sup></p> <p>HP</p> <p>50=50W</p> <p>70=70W</p> <p>100=100W</p> <p>150=150W</p> <p>CF</p> <p>26=26W</p> <p>32=32W</p> <p>42=42W</p>	<p><b>Voltage</b><sup>3</sup></p> <p>120V</p> <p>208V</p> <p>240V</p> <p>277V</p> <p>347V</p> <p>480V</p> <p>DT=Dual-Tap</p> <p>MT=Multi-Tap</p> <p>TT=Triple-Tap</p> <p>E=Electronic<sup>4</sup></p>	<p><b>Options</b><sup>5</sup></p> <p>Q=Quartz Restrike (Hot Strike Only)</p> <p>EM=Quartz Restrike with "Delay Relay" (Quartz lamp strikes at both hot and cold starts)</p> <p>EM/SC=Emergency Separate Circuit</p> <p>LL=Lamp Included (Must Specify Single Wattage with Fluorescent)</p> <p>PE=Internal Photocontrol (Specify Voltage)</p> <p>PC=Button Type Photocontrol</p> <p>F1=Single Fuse (120, 277 or 347V. Specify Voltage)</p> <p>F2=Double Fuse (208, 240 or 480V. Specify Voltage)</p>	<p><b>Color</b><sup>6</sup></p> <p>—=Bronze (Standard)</p> <p>WH=White</p> <p>BK=Black</p> <p>AP=Grey</p>	<p><b>Accessories</b><sup>7</sup></p> <p>MS/JB-XX=Architectural J-Box</p> <p>MS/SF-XX=Slipfitter</p> <p>MS/TMA-XX=Twin Mount Arm (EPA .35)</p> <p>MS/WMA-XX=Wall Mount Arm (EPA .22)</p> <p>MS/WM-XX=Wall Mount</p> <p>MS/BD-XX=Barn Doors (EPA 1.03)</p> <p>MS/TV-XX=Top Visor (EPA .51)</p> <p>MS/4V-XX=Four Sided Shield (EPA .87)</p> <p>MS/VS=Vandal Shield</p> <p>MS/WG=Wire Guard</p>
<p><b>Series</b></p> <p>MS=Impact Flood Small</p>	<p><b>Mounting</b></p> <p>K=Knuckle</p> <p>T=Trunnion</p>	<p><b>Distribution</b></p> <p>HF=Horizontal Flood</p> <p>VF=Vertical Flood</p>			

NOTES: 1 All HID lamps are medium-base. 2 175W MH is available for non-US markets only. 3 Products also available in non-US voltages and 50Hz for international markets. 4 Compact Fluorescent lamps only, 120-277V with internal fusing. In cold temperatures compact fluorescent lamps produce lower illumination levels. 5 Add as suffix in the order shown. 6 Other finish colors available. Consult your Cooper Lighting representative. 7 Order separately, replace XX with color suffix. 8 Specifications and dimensions subject to change without notice.

### STOCK SAMPLE NUMBER (Lamp Included)

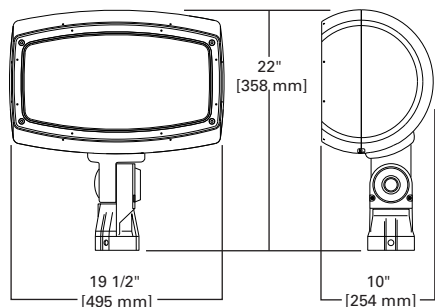
SAMPLE NUMBER: MPMS15

<p><b>Lamp Type</b></p> <p>MP=Pulse Start Metal Halide</p>	<p><b>Series</b></p> <p>MS=Impact Flood Small</p>	<p><b>Lamp Wattage</b></p> <p>70=70W</p> <p>10=100W</p> <p>15=150W</p>	<p><b>Accessories</b> (order separately)</p> <p>MS/TV-BZ=Top Visor</p> <p>MS/4V-BZ=Four Sided Shield</p> <p>MS/BD-BZ=Barn Doors</p> <p>MS/WG=Wire Guard</p>
--	---	--	---

NOTES: Horizontal flood optics, knuckle mount, multi-tap ballast and bronze paint are standard for stock products. Add "W" to the end of the catalog logic to specify white finish (available on small housing 150W only). Stock accessories only available in bronze finish. Options not available with stock products. Refer to standard ordering information. Refer to In-Stock Guide for availability.

<p><b>Lamp Type</b></p> <p>Pulse Start Metal Halide (MP) 50, 70, 100, 150W</p> <p>Metal Halide (MH) 175W</p> <p>High Pressure Sodium (HP) 50, 70, 100, 150W</p> <p>Compact Fluorescent (CF) 26, 32, 42W</p>	<p><b>Voltage Chart</b></p> <p>DT=Dual-Tap 120/277V (wired 277V)</p> <p>MT=Multi-Tap 120/208/240/277V (wired 277V)</p> <p>TT=Triple-Tap 120/277/347V (wired 347V)</p> <p>E=Electronic (CF only) 120-277V (wired 277V (50/60 Hz))</p>
---	--

## DIMENSIONS



## DESCRIPTION

Impact Flood's cylindrical form blends effortlessly to architectural and landscape environments. Available in wattages up to 400W Pulse Start Metal Halide, Metal Halide and High Pressure Sodium, and up to 70W Compact Fluorescent. Impact Flood offers properly scaled solutions for any floodlighting application.



## MM IMPACT FLOOD MEDIUM

**150-400W**  
High Pressure Sodium  
Pulse Start Metal Halide  
Metal Halide

**57-70W**  
Compact Fluorescent

ARCHITECTURAL  
FLOOD LUMINAIRE

## ORDERING INFORMATION

SAMPLE NUMBER: MPMM-K-HF-400-MT-LL

<b>Lamp Type</b> <sup>1</sup> MP=Pulse Start Metal Halide MH=Metal Halide <sup>2</sup> HP=High Pressure Sodium CF=Compact Fluorescent	<b>Lamp Wattage</b> 150=150W 200=200W 250=250W 320=320W <sup>2</sup> 400=400W MH 175=175W <sup>2</sup> 250=250W 400=400W HP 150=150W 250=250W 400=400W CF 57=57W 70=70W	<b>Voltage</b> 120V 208V 240V 277V 347V <sup>4</sup> 480V DT=Dual-Tap MT=Multi-Tap TT=Triple-Tap <sup>4</sup> E=Electronic <sup>5</sup>	<b>Options</b> <sup>6</sup> Q=Quartz Restrike (Hot Strike Only) EM=Quartz Restrike with "Delay Relay" (Quartz lamp strikes at both hot and cold starts) EM/SC=Emergency Separate Circuit LL=Lamp Included (Must Specify Single Wattage with Fluorescent) PE=Internal Photocontrol (Specify Voltage) PC=Button Type Photocontrol F1=Single Fuse (120, 277 or 347V. Specify Voltage) F2=Double Fuse (208, 240 or 480V. Specify Voltage)	<b>Color</b> <sup>6</sup> _=Bronze (Standard) WH=White BK=Black AP=Grey	<b>Accessories</b> <sup>7</sup> MM/SMT-XX=Surface Mount Tenon MM/ST-XX=Stanchion Mount MM/TMT-XX=Twin Mount Tenon (EPA .35) MM/WMT-XX=Wall Mount Tenon (EPA .22) MM/BD-XX=Barn Doors (EPA 2.49) MM/TV-XX=Top Visor (EPA 1.30) MM/4V-XX=Four Sided Shield (EPA 2.21) MM/VS=Vandal Shield MM/WG=Wire Guard
<b>Series</b> MM=Impact Flood Medium					
<b>Mounting</b> K=Knuckle					
<b>Distribution</b> HF=Horizontal Flood VF=Vertical Flood					

NOTES: 1 150W MP is medium-base. 2 350W available in HF distribution only. 3 175, 250 and 400W MH available for non-US markets only. 4 88% efficient EISA Compliant fixtures not available in 347V or Triple-Tap voltages. 5 Compact Fluorescent lamps only, 120-277V with internal fusing. In cold temperatures, compact fluorescent lamps produce lower illumination levels. 6 Add as suffix in the order shown. 7 Order separately, replace XX with color suffix. 8 Specifications and dimensions subject to change without notice.

## STOCK SAMPLE NUMBER (LAMP INCLUDED)

SAMPLE NUMBER: MPMM40

<b>Lamp Type</b> MP=Pulse Start Metal Halide	<b>Series</b> MM=Impact Flood Medium	<b>Lamp Wattage</b> 25=250W 32=320W 40=400W	<b>Accessories</b> (order separately) MM/TV-BZ=Top Visor MM/4V-BZ=Four Sided Shield MM/BD-BZ=Barn Doors MM/WG=Wire Guard
---	---	--	--

NOTES: Horizontal flood optics, multi-tap ballast and bronze paint are standard for stock products. Options not available with stock products. Refer to standard ordering information. Refer to In-Stock Guide for availability.

- UL Wet Location Listed. CSA Certified. EISA Compliant
- Rugged one-piece die-cast aluminum housing. One-piece extruded silicone gasket seals the optical and electrical compartment from external contaminants
- Die-cast aluminum door is secured via four (4) tamper resistant stainless steel allen head fasteners
- Impact resistant, clear flat tempered glass sealed to door with a one-piece silicone gasket
- Available in horizontal or vertical lamp orientation. Optics feature mogul-base lamp holders
- High power factor ballast are heat sunk to housing for cooler operation and longer life
- Heavy-duty die-cast aluminum knuckle mount utilizes tooth-lock adjustment mechanism for solid engagement and ease of aiming. Knuckle fits over standard 2 3/8" O.D. pipe tenon
- Approximate net weight: 40 lbs. (18.18 kgs.)

Lamp Type	Wattage
Pulse Start Metal Halide (MP)	150, 200, 250, 320, 400W
Metal Halide (MH)	175, 250, 400W
High Pressure Sodium (HP)	150, 250, 400W
Compact Fluorescent (CF)	57, 70W

Voltage Chart	
DT=Dual-Tap	120/277V (wired 277V)
MT=Multi-Tap	120/208/240/277V (wired 277V)
TT=Triple-Tap	120/277/347V (wired 347V)
E=Electronic (CF only)	120-277V (wired 277V (50/60 Hz))

# COOPER LIGHTING - LUMARK



## WR WARRIOR

**100-400W**  
High Pressure Sodium  
Pulse Start Metal Halide  
Metal Halide

SLIPFITTER-, TRUNNION-,  
OR YOKE-MOUNTED  
FLOODLIGHT

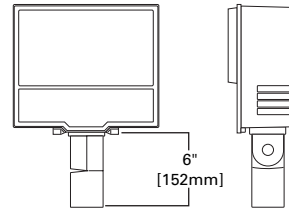
- UL Wet Location Listed. CSA Certified. EISA Compliant
- Corrosion-resistant captive retaining screws
- Watertight die-cast aluminum housing door is finished in dark bronze polyester powder coat. Cast ridge for water tight seal against gasketing
- Full circumference, high-temperature foam-in-place silicone gasketing seals out external contaminants
- Mogul-base porcelain socket, except 150W and below has medium-base
- High power factor ballast with class H insulation. Minimum starting temperature is -40°C (-40° F) for HP and -30°C (-20° F) for MH and MP
- Variable mountings of either 3/16" galvanized steel trunnion (shown below) or integral die-cast aluminum slipfitter (shown in photo to right). Slipfitter fits 2 3/8" - 3" O.D. tenon. Heavy-duty steel yoke provides flexibility in mounting and aiming from a variety of surfaces
- Class I Div 2 Rated
- Approximate net weight: 35 lbs. (16 kgs.)

### DESCRIPTION

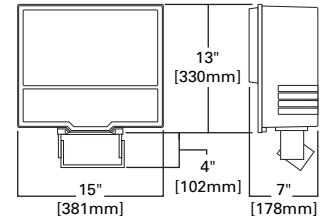
The Lumark Warrior offers a variety of lamp and mounting options in high pressure sodium and metal halide, and can be installed, lamped and serviced with the most basic tools. U.L. listed and labeled for wet locations. CSA certified.

### DIMENSIONS

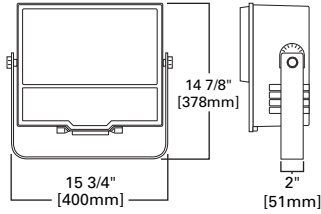
#### Slipfitter Mount



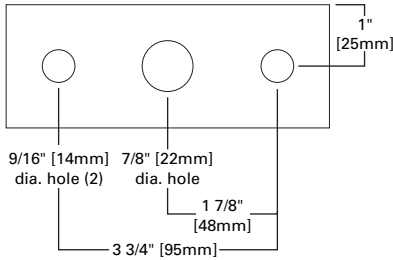
#### Trunnion Mount



#### Yoke Mount



#### TRUNNION YOKE MOUNT DRILL PATTERN



EPA-Effectuated Projected Area: 1.3 @ 45°

For Pole Information Refer to Cooper Lighting Pole Section.

### ORDERING INFORMATION

SAMPLE NUMBER: MPWR-65S-400-MT

Lamp Type	Series	Distribution	Mounting	Lamp Wattage <sup>2</sup>	Voltage <sup>3</sup>	Options & Accessories
MP=Pulse Start Metal Halide	WR=Warrior	65=6 x 5 Beam Spread	S=Slipfitter T=Trunnion Y=Yoke	MP 100=100W 150=150W 200=200W 250=250W 320=320W 350=350W 400=400W MH <sup>1</sup> 175=175W 250=250W 400=400W 250/400=250/400W (wired 250W)	120V 208V 240V 277V 347V <sup>3</sup> 480V MT=Multi-Tap TT=Triple-Tap <sup>3</sup> 5T=5-Tap <sup>4</sup>	(See Below)

#### Options <sup>5</sup>

HAZ=Hazardous Location (Class 1 Division 2 rating) <sup>6</sup>  
 F1=Single Fuse (120, 277 or 347V only)  
 F2=Double Fuse (208, 240 or 480V only)  
 Q=Quartz Restrike (Hot Strike Only)  
 EM=Quartz Restrike with "Delay Relay"  
 (Quartz lamp strikes at both hot and cold starts)  
 EM/SC=Emergency Separate Circuit  
 LL=Lamp Included  
 PER=NEMA Twistlock Photocontrol Receptacle  
 PC=Button Type Photocontrol  
 C23=3' of 12-3 Cord, Prewired (Specify Single Voltage)  
 C42=2' of 14-3 Cord, Prewired (Specify Single Voltage)  
 C43=3' of 14-3 Cord, Prewired (Specify Single Voltage)  
 C63=3' of 16-3 Cord, Prewired (Specify Single Voltage)

#### Accessories

TYS-XX=Trunnion or Yoke Slipfitter for 2 3/8", 3", or 3 1/2" O.D. Tenon  
 WG/WR=Wire Guard  
 VG/WR=Vandal Shield  
 RAB-XX=Right Angle Pipe Bracket for Slipfitter  
 SAB-XX=Steel Angle Bracket for Trunnion  
 OA/RA1014=Photoelectric Control, 120 Volt NEMA Type  
 OA/RA1016=Photoelectric Control, 105-285 Volt NEMA Type  
 OA/RA1027=Photoelectric Control, 480 Volt NEMA Type  
 PB120V=Button Type Photocontrol, Field Installed (120V only)  
 TV/WR-XX=Top Visor

NOTES: 1 Metal Halide available for non-US markets only. 2 Medium-base socket for MP 150W and lower. 3 Products also available in non-us voltages & 50Hz for international markets. 88% efficient EISA MP fixtures not available in 347V and Triple-Tap voltages. 4 5-Tap ballast available in 400W Metal Halide only. 5 Add as suffix in the order shown. 6 Class I Division 2 rating. Not available with NEMA Photocontrol, fusing or Quartz option. Slipfitter only. 7 Specifications and dimensions subject to change without notice.

### STOCK SAMPLE NUMBER (LAMP INCLUDED)

SAMPLE NUMBER: XS15

Series	Lamp Type	Lamp Wattage
X=Slipfitter W=Trunnion	S=High Pressure Sodium P=Pulse Start Metal Halide	15=150W <sup>1</sup> 25=250W 32=320W 40=400W

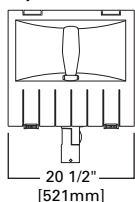
NOTES: 1 150W available in MP only. Options not available with stock products. Order Accessories as separate items for field installation. Refer to standard ordering information to add options and accessories. 320W available in MP only. Refer to In-Stock Guide for availability.

Lamp Type	Wattage
Pulse Start Metal Halide (MP)	100, 150, 200, 250, 320, 350, 400W
Metal Halide (MH)	175, 250, 400, 250/400W
High Pressure Sodium (HP)	100, 150, 250, 400W

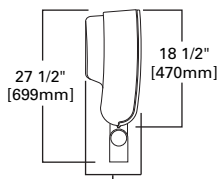
Voltage Chart	
MT=Multi-Tap	120/208/240/277V (wired 277V)
TT=Triple-Tap	120/277/347V (wired 347V)
5T=5-Tap	120/208/240/277/480V (wired 480V)

## DIMENSIONS

### Slipfitter Mount

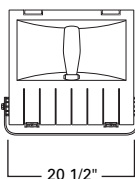


20 1/2"  
[521mm]

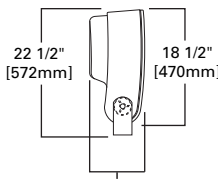


27 1/2"  
[699mm]  
18 1/2"  
[470mm]  
150-400W HPS & MH,  
1000W HPS 9 1/2" [241mm]  
1000W MH 10 1/2" [267mm]

### Yoke Mount

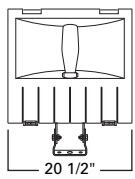


20 1/2"  
[521mm]

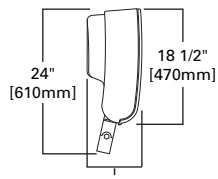


22 1/2"  
[572mm]  
18 1/2"  
[470mm]  
150-400W HPS & MH,  
1000W HPS 9 1/2" [241mm]  
1000W MH 10 1/2" [267mm]

### Trunnion Mount

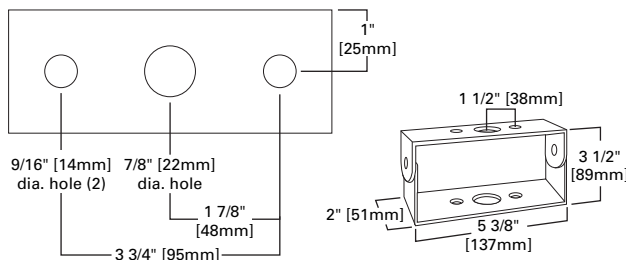


20 1/2"  
[521mm]



24"  
[610mm]  
18 1/2"  
[470mm]  
150-400W HPS & MH,  
1000W HPS 9 1/2" [241mm]  
1000W MH 10 1/2" [267mm]

## YOKE- AND TRUNNION-MOUNT DRILL PATTERN



EPA-Effectuated Projected Area: 2.7

For Pole Information Refer to Cooper Lighting Pole Section.

## ORDERING INFORMATION

SAMPLE NUMBER: MPNK-S76-400-MT-Q

Lamp Type	Series	Mounting Type	Distribution	Lamp Wattage	Voltage <sup>2</sup>	Options & Accessories
MP= Pulse Start Metal Halide	NK=Nighthawk III	S=Slipfitter	76=7H x 6V Beam Spread	MP 150=150W 250=250W 320=320W 400=400W 750=750W 1000=1000W	120V 208V 240V 277V 347V <sup>5</sup> 480V	(See Below)
MH= Metal Halide		T=Trunnion		MH 175=175W 250=250W 400=400W 1000=1000W		
HP= High Pressure Sodium		Y=Yoke		HP 150=150W 250=250W 400=400W 600=600W 750=750W 1000=1000W	MT=Multi-Tap wired 277V TT=Triple-Tap wired 347V <sup>6</sup>	

NOTES: 1 175, 250 and 400W MH available for non-US markets only. 2 Products also available in non-US voltages and 50Hz for international markets. Consult factory for availability and ordering information. 3 88% efficient EISA MP fixtures not available in 347V and Triple-Tap voltages. 4 Add as suffix in the order shown. 5 Not available in 1000W. 6 Lamp is shipped separate from luminaire. Lamp is Cooper designated product based on luminaire requirements. Specified lamps must be ordered as a separate line item. 7 Order separately, replace XX with color suffix. 8 Not available with slipfitter-mount. 9 Specifications and dimensions subject to change without notice.

### Options<sup>4</sup>

F1=Single Fuse (120, 277 or 347V only)  
F2=Double Fuse (208, 240 or 480V only)  
Q=Quartz Restrike (Hot Strike Only)  
EM=Quartz Restrike with "Delay Relay"  
(Quartz lamp strikes at both hot and cold starts)<sup>5</sup>  
LL=Lamp Included<sup>6</sup>  
T=Removable Quick-Disconnect Power Tray<sup>5</sup>  
PER=NEMA Twistlock Photocontrol Receptacle  
PC=Button Type Photocontrol

### Accessories<sup>7</sup>

TYS-XX=Trunnion or Yoke Slipfitter for 2 3/8", 3", or 3 1/2" O.D. Tenon<sup>8</sup>  
VS/NK=Vandal Shield  
WG/NK=Wire Guard  
VS/NK/1000=Vandal Shield for 1000W Units  
OA/RA1016=Photoelectric Control, 105-285 Volt NEMA Type  
OA/RA1201=Photoelectric Control, 347 Volt NEMA Type  
OA/RA1027=Photoelectric Control, 480 Volt NEMA Type  
OA/RA1028=Field Installed NEMA Twistlock Photocontrol Receptacle  
(Order Photocontrol Separately)  
TV/NK-XX=Top or Bottom Visor  
SV1/NK-XX=Single Side Visor  
SV/NK-XX=Double Side Visor  
OA/RA1013=Shorting Cap for NEMA Twistlock Photocontrol Receptacle

## STOCK SAMPLE NUMBER (LAMP INCLUDED)

SAMPLE NUMBER: MPNKS32

Lamp Type	Series	Mounting Type	Lamp Wattage	Accessories
MP= Pulse Start Metal Halide	NK=Nighthawk III <sup>1</sup>	S=Slipfitter	25=250W <sup>2</sup> 32=320W <sup>3</sup> 40=400W 1K=1000W <sup>4</sup>	TYS=Trunnion or Yoke Slipfitter for 2 3/8", 3", or 3 1/2" O.D. Tenon
MH= Metal Halide		Y=Yoke		
HP= High Pressure Sodium				

NOTES: 1 Multi-tap ballast, 7Hx6V beam spread, bronze finish, and lamp are standard for stock product. 2 250W stock product only available with MP lamp and slipfitter mount. 3 250, 320 and 400W available in MP only. 4 1000W available in MH and HPS only.

Refer to In-Stock Guide for Availability.

Lamp Type	Wattage
Pulse Start Metal Halide (MP)	150, 250, 320, 350, 400, 750, 1000W
Metal Halide (MH)	175, 250, 400, 750, 1000W
High Pressure Sodium (HP)	150, 250, 400, 600, 750, 1000W

Voltage Chart	
MT=Multi-Tap	120/208/240/277V (wired 277V)
TT=Triple-Tap	120/277/347V (wired 347V)

## DESCRIPTION

The Lumark Nighthawk III utilizes a soft-cornered aerodynamic design to provide excellent EPA ratings and an aesthetically pleasing appearance. Dark bronze polyester powder coat finish assures corrosion resistance and long-lasting aesthetics.



## NK NIGHTHAWK III

**150-1000W**  
High Pressure Sodium  
Pulse Start Metal Halide  
Metal Halide

SLIPFITTER-, TRUNNION-,  
OR YOKE-MOUNTED  
FLOODLIGHT

- UL Wet Location Listed. CSA Certified. EISA Compliant
- Aerodynamically designed die-cast aluminum housing has low EPA rating
- Flush, draw-action latches offer easy access to lamp compartment without tools and maintain integrity of seal when closed
- Die-cast aluminum door with integral cast hinges for removal without tools
- Heat- and impact-resistant tempered glass. Lens is mounted flush with door surface to reduce wind drag and prevent dirt or moisture from accumulating
- Door gasket is foam-in-place silicone, providing maximum protection of interior components from the elements
- Available in three (3) mounting variations.  
**Slipfitter:** Die-cast aluminum integral slipfitter mounts on 2 3/8" to 3" O.D. tenon. **Yoke:** Heavy-duty steel yoke provides flexibility in mounting from a variety of surfaces. **Trunnion:** Die-formed steel trunnion is easily adapted to many areas and allows easy fixture aiming
- Approximate net weight: 59 lbs. (27 kgs.)

# COOPER LIGHTING - LUMARK



## LP LOW-PROFILE FLOODLIGHT

**250-1000W**  
High Pressure Sodium  
Pulse Start Metal Halide  
Metal Halide

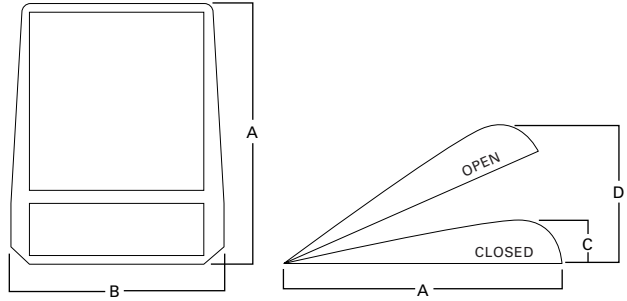
### FLOODLIGHT

- UL Wet Location Listed. CSA Certified. EISA Compliant
- One-piece, hinged asymmetrical reflector with kick auxiliary reflector. Reflectors are anodized for premium performance and durability. Support rod holds reflector open for hands free relamping
- High temperature silicone rubber door gasket
- Die-cast aluminum door frame holds glass lens and is finished in bronze polyester powder coat
- Slipfitter fits 2 3/8" O.D. tenon (Optional Trunnion mount available)
- Optional internally mounted louver blades are designed to provide excellent glare control for such applications as airport ramps and taxiways. When ordering 250/400W units are supplied with 16 louver blades, 1000W supplied with 18 louver blades
- CWA HPF ballast with Class H insulation with optional CWI. Minimum starting temperature is -40°C (-40°F) for HP and -30°C (-20°F) for MH and MP
- U.L. listed for wet locations. CSA certified
- Approximate net weight: 97 lbs. (44 kgs.)

### DESCRIPTION

The LP Low-Profile Floodlight utilizes an asymmetrical reflector to produce a highly defined rectangular pattern. A die-cast aluminum door frame forms a solid foundation for the electrical components and an anodized aluminum reflector. Ideal for low glare applications.

### DIMENSIONS



### DIMENSION-INCHES

Lamp Source	A	B	C	D	EPA (sq. ft.)		Shipping Volume (cu. ft.)
					Front	Side	
250/400W	26 1/2" [673mm]	22 1/8" [562mm]	7 7/8" [200mm]	18" [457mm]	2.72	0.67	4.06
1000W	38 1/8" [968mm]	28 5/8" [727mm]	11 3/4" [298mm]	22" [559mm]	4.62	1.31	11.06

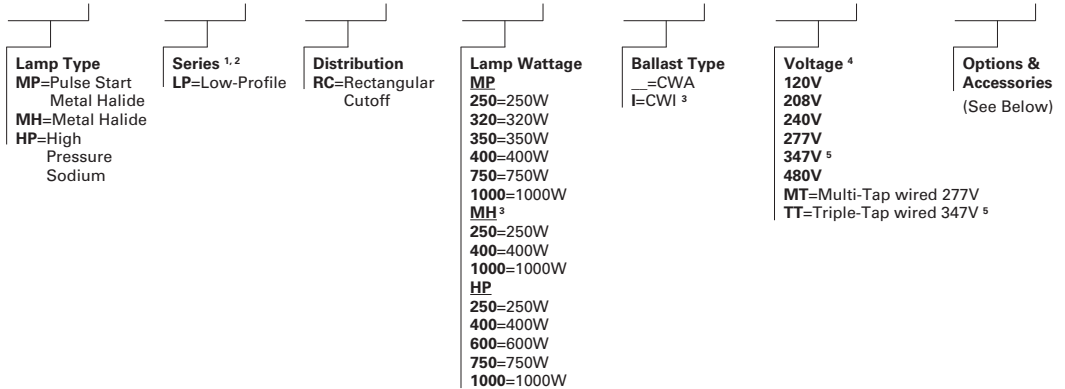
NOTE: EPA ratings at recommended 30° aiming angle.

EPA-Effectuated Projected Area: 2.72 (250/400W) 4.62 (100W)

For Pole Information Refer to Cooper Lighting Pole Section.

### ORDERING INFORMATION

SAMPLE NUMBER: MPLP-RC-1000-120V



#### Options 6

F1=Single Fuse (120, 277 or 277V only)  
F2=Double Fuse (208, 240 or 480V only)  
PER=NEMA Twistlock Photocontrol Receptacle  
PC=Button Type Photocontrol  
VS=Vandal Shield 7  
N=Louver

#### Accessories 8

OA1058=Base for Flat Surface Mount  
OA/RA1016=Photoelectric Control 105V-285V NEMA Type  
OA/RA1027=Photoelectric Control 480V NEMA Type  
OA1059=Hood for 250/400W Units  
OA1060=Hood for 1000W Units

NOTES: 1 Suitable for horizontal burn lamps only. 2 Bronze is standard color (only door and slipfitter). Other finish colors available. Consult your Cooper Lighting Representative. 3 250 and 400W MH for non-US markets only CWI ballasts available for non-US markets. 4 Products also available in non-US voltages and frequencies for international markets. 5 88% efficient EISA Compliant fixtures not available in 347V or Triple-Tap voltages. 6 Add as suffix in the order shown. 7 Vandal shield-1/8" thick polycarbonate external shield on large units (1000W), .187" thick polycarbonate lens in place of standard lens on small units (250-400W). 8 Order separately. 9 Specifications and dimensions subject to change without notice.

Lamp Type	Wattage
Pulse Start Metal Halide (MP)	250, 320, 350, 400, 750, 1000W
Metal Halide (MH)	250, 400, 1000W
High Pressure Sodium (HP)	250, 400, 600, 750, 1000W

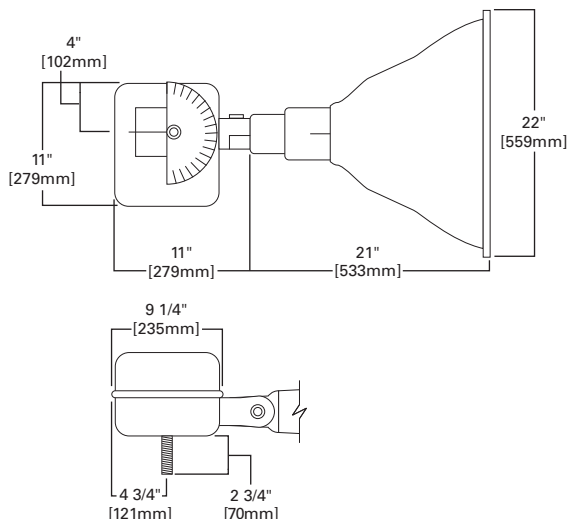
#### Voltage Chart

DT=Dual-Tap	120/277V (wired 277V)
MT=Multi-Tap	120/208/240/277V (wired 277V)
TT=Triple-Tap	120/277/347V (wired 347V)



# COOPER LIGHTING - LUMARK

## DIMENSIONS



## DESCRIPTION

Computer-designed optics and a precise aiming mechanism make the Eagle XL the right choice for amateur or professional sports facilities. U.L. listed for wet locations. CSA certified.



## XL EAGLE

**1000-1500W**  
High Pressure Sodium  
Pulse Start Metal Halide  
Metal Halide

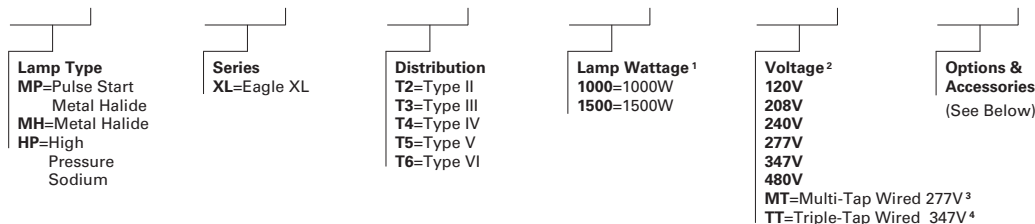
### SPORTS FLOODLIGHTING

EPA-Effected Projected Area: 2.45

For Pole Information Refer to Cooper Lighting Pole Section.

## ORDERING INFORMATION

SAMPLE NUMBER: HPXL-T3-1000-MT



### Options<sup>5</sup>

- F1=Single Fuse (120, 277 or 347V only)
- F2=Double Fuse (208, 240 or 480V only)
- LL=Lamp Included<sup>6</sup>
- C3=3' Cord with no plug (Must use with FH-1 or FL-1 or SHK)<sup>7</sup>

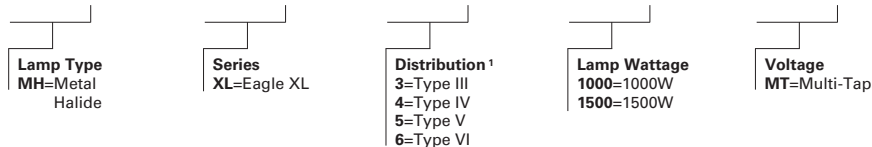
### Accessories<sup>8</sup>

- S/XL=Slipfitter Mount, Field Installed (Fits 2-3/8" O.D. Tenon pipe)
- VS/XL=Vandal Shield
- HD/XL=Heavy-duty Shroud
- TV/XL=Top Visor
- S2C2WP=Two-in-line Crossarm for Wood Pole (EPA .9)
- S3C3WPM=Three-in-line Offset Crossarm for Wood Pole (EPA 3.6)
- S4C4WP=Four-in-line Crossarm for Wood Pole (EPA 4.5)
- WB/XL=Wood Crossarm Bolt

**NOTES:** 1 All lamps are mogul-base. Lamp not included. Pulse Start Metal Halide (MP) and Metal Halide (MH) available in 1000W only. 2 Products also available in non-US voltages and 50Hz for international markets. 3 Multi-Tap ballast is 120/208/240/277V wired 277V. 4 Triple-Tap ballast is 120/277/347V wired 347V. 5 Add as suffix in the order shown. 6 Lamp is shipped separate from luminaire. Lamp is Cooper designated product based on luminaire requirements. Specified lamps must be ordered as a separate line item. 7 Specify desired length in unit of feet (Example: C6 for 6' cord). 8 Order separately. 9 Specifications and dimensions subject to change without notice.

## STOCK SAMPLE NUMBER

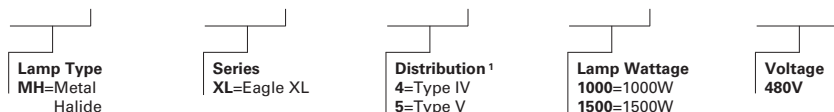
SAMPLE NUMBER: MHXL-3-1000-MT



**NOTES:** 1 Type VI available in 1000W only. Options not available with stock products. Order accessories as separate items for field installation. Refer to standard ordering information to add options and accessories. Refer to In-Stock Guide for availability.

## STOCK SAMPLE NUMBER (INCLUDES REFLECTOR AND DOOR)

SAMPLE NUMBER: MHXL-4-1000-480V



**NOTES:** 1 Type IV available in 1500W only. Options not available with stock products. Order accessories as separate items for field installation. Refer to standard ordering information to add options and accessories. Refer to In-Stock Guide for availability.

Lamp Type	Wattage	Voltage Chart
Pulse Start Metal Halide (MP)	1000W	MT=Multi-Tap 120/208/240/277V (wired 277V)
Metal Halide (MH)	1000W, 1500W	TT=Triple-Tap 120/277/347V (wired 347V)

- UL Wet Location Listed. CSA Certified
- Rugged aluminum ballast housing is finished in corrosion-resistant dark bronze polyester powder coat
- Ballast/capacitor compartment provides cooler operation and extended component life.
- Vertical aiming quadrant with repositioning stop combines with horizontal aiming protractor to allow pre-aiming while pole is on the ground
- Die-cast socket housing has silicone gasket to keep out contaminants
- Computer-designed spun-aluminum reflector produces repeatable beam distributions blades (std.)
- 1/8" tempered, heat- and shock-resistant lens sealed with closed-cell neoprene gasketing protects optics from dust and contaminants and is hinged for easy access
- Approximate net weight: 45 lbs. (20 kgs.)

# COOPER LIGHTING - LUMARK



## AS ALLSTAR

**1000-1650W**  
Pulse Start Metal Halide  
Metal Halide

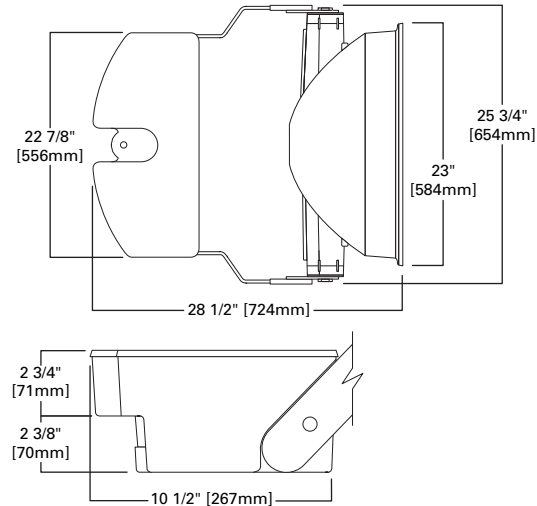
### SPORTS LIGHTING

- UL Wet Location Listed. CSA Certified
- Rugged die-cast aluminum ballast housing finished in corrosion resistant white polyester powder coat. Transverse mounting with cast-in horizontal aiming protractor and single bolt mounting
- Isolated components for coolest component operation and extended component life. Ballast is rated to start and operate lamp in ambient temperatures down to -20° C
- Stainless steel mounting arms feature separate vertical aiming pivot bolts and rear re-lamping hinge bolts prevent mis-aiming and provide permanent fixed aiming. Aiming degree markers on both sides of the optical allow for easy pre-aiming on the ground or after installation
- 1/8" tempered, heat- and shock-resistant glass lens is sealed with high temperature silicone gasket to protect optics from dirt and contaminants and is mounted in hinged stainless steel door frame with stainless steel latches
- Die-cast aluminum socket castings are sealed with a high temperature silicone gasket to keep out contaminants
- Approximate net weight: 73 lbs. (33 kgs.)

### DESCRIPTION

The "state-of-the-art" All Star sports floodlight features industry leading computer designed horizontal optics with optional internal glare/spill light control, and is the perfect choice for both amateur field lighting and professional sports stadiums and arenas. U.L. Listed for wet location. CSA certified. Rated for 55° C indoor ambient temperature environments.

### DIMENSIONS



EPA-Effected Projected Area: 2.9

For Pole Information Refer to Cooper Lighting Pole Section.

### ORDERING INFORMATION

SAMPLE NUMBER: MHAS-MS-1500-480V-U3

Lamp Type	Series	Distribution	Internal Louvers	Lamp Wattage <sup>1</sup>	Voltage <sup>2</sup>	Options (See Below)
MP=Pulse Start Metal Halide MH=Metal Halide	AS=ALLSTAR Sports Floodlight	N=Narrow M=Medium W=Wide	=None S=Spill Light Control Louvers	1000=1000W 1500=1500W 1650=1650W	120V 208V 240V 277V 347V 480V MT=Multi-Tap wired 277V <sup>3</sup> TT=Triple Tap wired 347V <sup>4</sup> 220/50HZ	

#### Options \*

- F1=Single Fuse (120, 277 or 347V only)
- F2=Double Fused (208, 240 or 480V only)
- HD=Heavy-Duty Shroud
- Q=Quartz Restrike (Hot Strike Only)
- EM=Quartz Restrike Cold Start Time Delay
- RQ=Remote Quartz\*
- RT=Remote Quartz Cold Start Time Delay\*
- HC=LumaWatt Fixture Module<sup>7</sup>
- C3=3' Cord, Prewired with no plug (Must use with FH-1 or FL-1 or SHK)
- C6=6' Cord, Prewired (Specify Voltage)
- U3=3' USL Water Tight Cord & Plug for USL System (Specify Voltage)
- TV=Top Visor (Black Polyester Powder Coated)

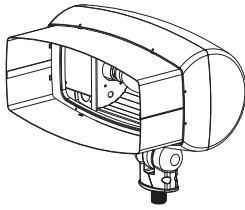
NOTES: 1 All lamps are mogul-base. Lamp not included. Pulse Start Halide (MP) and Metal Halide (MH) available in 1000W only. 2 Products also available in non-US voltages and 50 Hz for international markets. 3 Multi-Tap ballast 120/208/240/277V wired 277V. 4 Triple-Tap ballast 120/277/347V wired 347V. 5 Add as suffix in the order shown. 6 Wiring pulled for remote 1000W maximum Quartz Flood. 7 1000 & 1500W MH only. 6 Specifications and dimensions subject to change without notice.

Lamp Type	Wattage
Pulse Start Metal Halide (MP)	1000W
Metal Halide (MH)	1000, 1500, 1650W

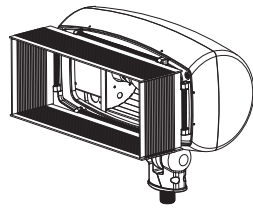
Voltage Chart	
MT=Multi-Tap	120/208/240/277V (wired 277V)
TT=Triple-Tap	120/277/347V (wired 347V)

# COOPER LIGHTING - LUMARK

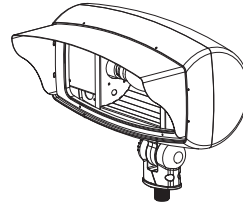
## IMPACT FLOOD ACCESSORIES [SMALL + MEDIUM]



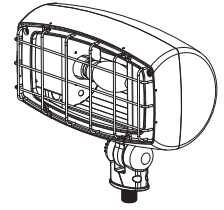
**MS/4V + MM/4V**  
4-Sided Shield



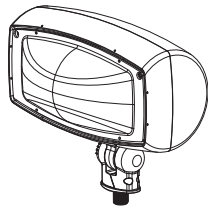
**MS/BD + MM/BD**  
Barn Doors



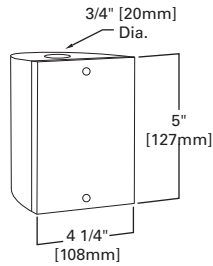
**MS/TV + MM/TV**  
Top Visor



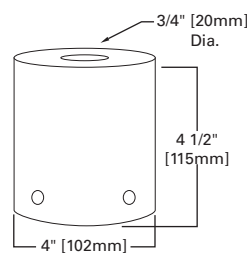
**MS/WG + MM/WG**  
Wire Guard



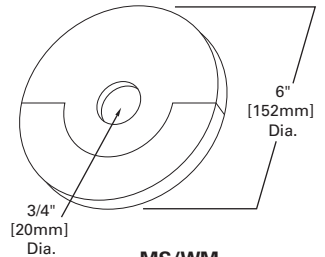
**MS/VS + MM/VS**  
Vandal Shield



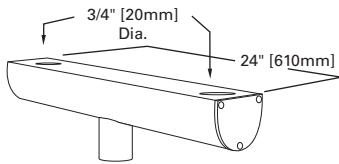
**MS/JB**  
Junction Box



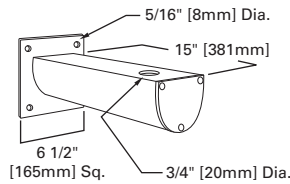
**MS/SF**  
Slipfitter  
(Fits 2 3/8" O.D. Tenon)



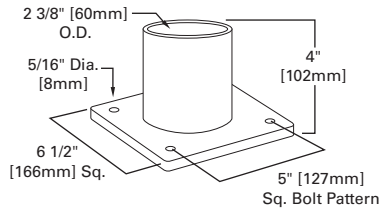
**MS/WM**  
Wall Mount



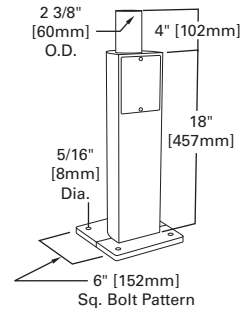
**MS/TMA**  
Twin Mount Arm  
(Fits 2 3/8" O.D. Tenon)



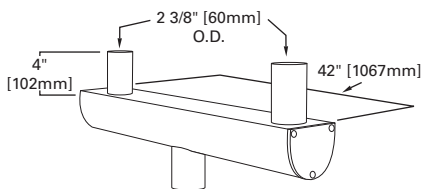
**MS/WMA**  
Wall Mount Arm



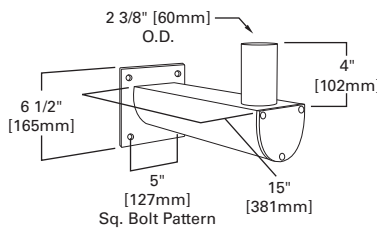
**MM/SMT**  
Surface Mount Tenon



**MM/ST**  
Stanchion Mount Tenon



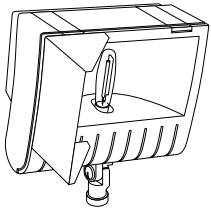
**MM/TMT**  
Twin Mount Tenon  
(Fits 2 3/8" O.D. Tenon)



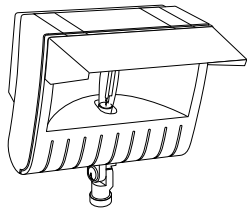
**MM/WMT**  
Wall Mount Tenon

# COOPER LIGHTING - LUMARK

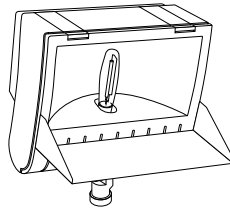
## NIGHTHAWK ACCESSORIES



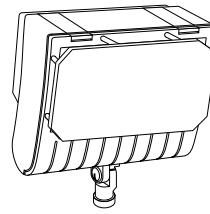
**SV1/NK**  
Side Visor



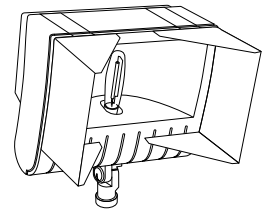
**TV/NK**  
Top/Bottom Visor



**TV/NK**  
Top/Bottom Visor

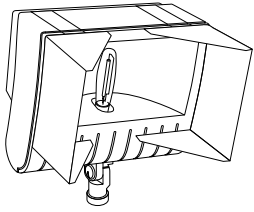


**VS/NK**  
Vandal Shield  
**VS/NK/1000**  
Vandal Shield for 1000W Units

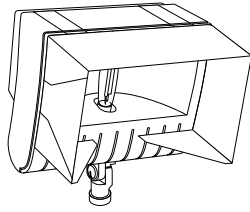


**SV/NK**  
Double Side Visor

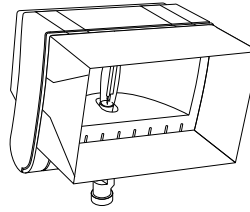
Each kit contains one visor only



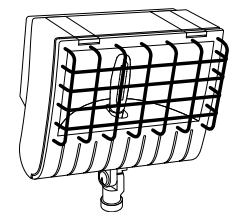
**SV/NK**  
Double Side Visor



**SV/NK Double Side Visor +  
TV/NK Top Visor [Shown]**

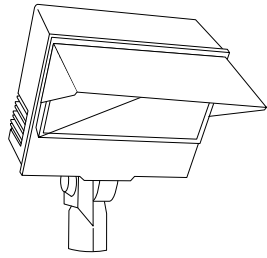


Double Side Visor [SV/NK] +  
(2) Top/Bottom Visors [TV/NK]  
Shown

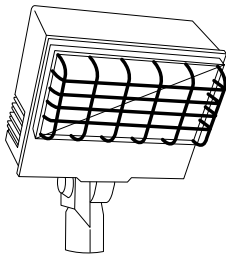


**WG/NK**  
Wire Guard

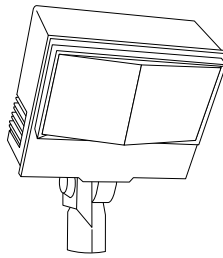
## WARRIOR ACCESSORIES



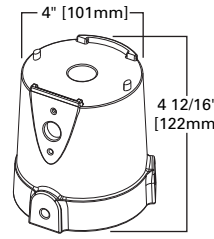
**TV/WR**  
Top Visor



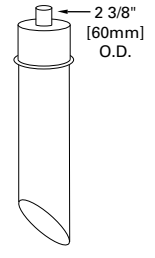
**WG/WR**  
Wire Guard



**VG/WR**  
Vandal Guard

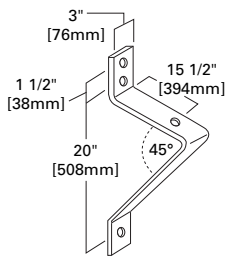


**TYS**  
Slipfitter Adapter  
(Fits 2 3/8", 3", 3 1/2" O.D. Tenon)

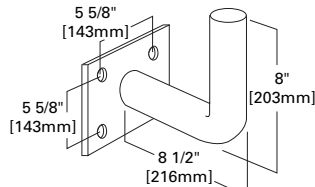


**SPK**  
Landscape Post

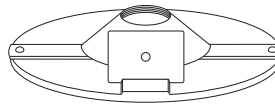
## FLOODLIGHTING ACCESSORIES



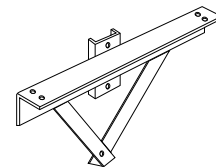
**SAB**  
Steel Angle Bracket



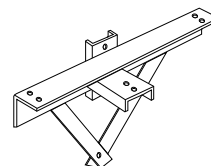
**RAB**  
Right Angle Pipe Bracket  
(2 3/8" O.D.)



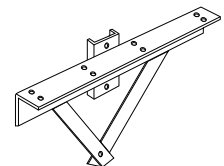
**RBC**  
Outlet Box Cover  
(1/2" Entry)



**S2C2WP (EPA .9)**  
Two-in-line crossarm



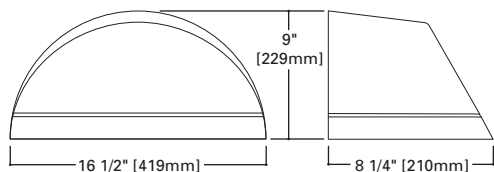
**S3C3WP (EPA 3.6)**  
Three-in-line crossarm



**S4C4WP (EPA 4.5)**  
Four-in-line crossarm

# COOPER LIGHTING - LUMARK

## DIMENSIONS



## DESCRIPTION

The IMPACT Wedge full cutoff wall luminaire makes an ideal complement to site design. U.L. Listed and CSA Certified for wet locations in down mount applications and damp locations in up mounted applications.

Rugged construction and full cutoff classified optics provide facade and security lighting for light restricted zones surrounding schools, office complexes, apartments, and recreational facilities.



## IP IMPACT WEDGE



NOTE: In down light applications only.

### 50-175W

High Pressure Sodium  
Pulse Start Metal Halide  
Metal Halide

### 26-84W

Compact Fluorescent

### FULL CUTOFF WALL MOUNT LUMINAIRE

## ORDERING INFORMATION

SAMPLE NUMBER: MHIP-W-150-MT-LL

Lamp Type <sup>1</sup>	Fixture Type	Fixture Shape	Lamp Wattage <sup>1</sup>	Voltage <sup>2</sup>	Options
MP=Pulse Start Metal Halide	IP=Impact	W=Wedge	MP 50=50W 70=70W 100=100W 150=150W	120V 208V 240V 277V 347V 480V	(See Below)
MH=Metal Halide <sup>1</sup>			MH <sup>1</sup> 175=175W		
HP=High Pressure Sodium			HP 32=(1) 32W 42=(1) 42W 52=(2) 26W 64=(2) 32W 84=(2) 42W		
CF=Compact Fluorescent			CF 26=(1) 26W 32=(1) 32W 42=(1) 42W 52=(2) 26W 64=(2) 32W 84=(2) 42W		
				DT=Dual-Tap MT=Multi-Tap wired 277V TT=Triple-Tap wired 347V E=Electronic 120-277V <sup>4</sup>	

### Options

- F1=Single Fuse, Specify Voltage (120, 277 or 347V)
- F2=Double Fuse, Specify Voltage (208 or 240V)
- PE=Button Photocontrol (Must Specify Voltage)<sup>3</sup>
- BK=Black
- WH=White
- AP=Grey
- GM=Graphite Metallic
- DP=Dark Platinum
- LL=Lamp Included (Must Specify Wattage on CF)
- TR=Tamper Resistant Screw (Door and Mounting Plate)
- HS=House-side Shield Glass<sup>4</sup>
- PL=Polycarbonate Lens<sup>4,5</sup>
- Q=Quartz Restrike (1) T4 Lamp<sup>6</sup>
- EM=Emergency Quartz Restrike (1) T4 Lamp With Time Delay Relay<sup>6</sup>
- EM/SC=Emergency Separate Circuit (1) T4 Lamp<sup>6,7</sup>
- QMR=Quartz Restrike (1) MR16 Lamp<sup>8,9</sup>
- 2QMR=Quartz Restrike (2) MR16 Lamp<sup>8,9</sup>
- 2QMR/SC=Quartz Restrike (2) MR16 Lamp and (1) Emergency Separate Circuit MR16 Lamp<sup>7,8,9</sup>

- EMMR=Emergency Quartz Restrike (1) MR16 Lamp With Time Delay Relay<sup>8,9</sup>
- 2EMMR=Emergency Quartz Restrike (2) MR16 Lamp With Time Delay Relay<sup>8,9</sup>
- EM/SC/MR=Emergency Separate Circuit (1) MR16 Lamp<sup>7,9,10</sup>
- 2EM/SC/MR=Emergency Separate Circuit (2) MR16 Lamp<sup>7,9,10</sup>
- 2EMMR/SC=Emergency Quartz Restrike With Time Delay Relay (1) MR16 and (1) MR16 Emergency Separate Circuit Lamp<sup>7,8,9</sup>
- EM/SC/12V=Emergency Separate Circuit 12V Low Voltage (1) MR16 Lamp<sup>7,11</sup>
- 2EM/SC/12V=Emergency Separate Circuit 12V Low Voltage (2) MR16 Lamp<sup>7,11</sup>
- EMI40=Emergency Cold Temperature (UL924 Listed) Power Pack -18°C / 0°F, (1) CF Lamp, Specify Voltage<sup>12</sup>
- CF-EM=Emergency CF Power Pack (UL924 Listed) (1) CF Lamp. 0°C / 32°F. Specify Voltage<sup>13</sup>

NOTES: 1 Lamp type not available in all wattages - see wattage table. HID lamps are medium-base. 480V not available in 50W or 70W. 175W MH is available for non-U.S. markets only. 2 Products also available in non-US voltages and 50Hz for international markets. Consult your Cooper Representative for availability and ordering information. 3 PE not available with 480V. 4 Available with CF Option only. In cold temperatures, compact fluorescent lamps produce lower illumination levels. 5 Down lighting position only. 6 (1) 120V Lamp, 100W maximum quartz lamp. Utility power may need to cycle to allow HID lamp to cool in warm climates. Not available with CF Option. Lamp supplied by others. 7 Leads out of the back of the unit for auxiliary 120V. 8 Not available with CF lamps. 9 (1) or (2) 120V Lamps. GU10 base, 50W maximum each. Lamps supplied by others. 10 Not Available with 52, 64, 84 CF wattages. 11 (1) or (2) 12V bi-pin lamp, socket GU5.3 base, 35W maximum. Power supplied by low voltage DC source (supplied by others). Lamps supplied by others. 12 Specify 120 or 277V, (-18°C) minimum temperature. 13 Specify 120 or 277V, (0°C) minimum temperature. 14 Specifications and dimensions subject to change without notice.

## STOCK SAMPLE NUMBER (LAMP INCLUDED)

SAMPLE NUMBER: MPIW15

Lamp Type	Fixture Type	Lamp Wattage
MP=Pulse Start Metal Halide	IP=IMPACT	10=100W
HP=Metal Halide	Wedge	15=150W

NOTES: Standard multi-tap and bronze. Refer to In-Stock Guide for availability. Options not available with stock products. Refer to standard order information to add options.

- U.L. listed for wet locations. CSA certified
- Two-piece die-cast aluminum housing
- Rigid steel mounting attachment fits directly to 4" J-Box or wall with "Hook-N-Lock" mechanism for quick installation
- HID luminaires supplied with high power factor ballast with Class H insulation. Minimum starting temperatures are -40°C (-40°F) for HP and -30°C (-22°F) for MP/MH. Compact Fluorescent luminaires feature electronic universal 120-277V high efficient 50/60Hz ballast with -18°C (0°F) minimum starting
- Die-cast door features 1/8" heat- and impact-resistant clear tempered glass lens. Hinged door secured in place via two (2) captive fasteners
- Durable polyester powder coat finish. Standard color is bronze. Other finish colors available
- Approximate net weight: 18 lbs. (8 kgs.)

Lamp Type	Wattage	Distribution	Voltage Chart
Pulse Start Metal Halide (MP)	50, 70, 100, 150W	Type II	DT=Dual-Tap 120/277V (wired 277V)
Metal Halide (MH)	175W	Type II	MT=Multi-Tap 120/208/240/277V (wired 277V)
High Pressure Sodium (HP)	50, 70, 100, 150W	Type II	TT=Triple-Tap 120/277/347V (wired 347V)
Compact Fluorescent (CF)	(1) 26, (1) 32, (1) 42W, (2) 26, (2) 32, (2) 42W	Type II	E=Electronic (CF only) 120-277V (wired 277V) (50/60 Hz)

# COOPER LIGHTING - LUMARK



## IP IMPACT TRAPEZOID

**50-175W**  
High Pressure Sodium  
Pulse Start Metal Halide  
Metal Halide

**26-84W**  
Compact Fluorescent

**FULL CUTOFF  
WALL MOUNT LUMINAIRE**

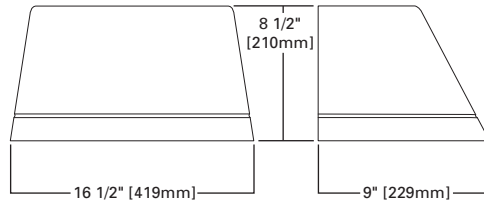
- U.L. listed for wet locations. CSA certified
- Two-piece die-cast aluminum housing
- Rigid steel mounting attachment fits directly to 4" J-Box or wall with "Hook-N-Lock" mechanism for quick installation
- HID luminaires supplied with high power factor ballast with Class H insulation. Minimum starting temperatures are -40°C (-40°F) for HP and -30°C (-22°F) for MP/MH. Compact Fluorescent luminaires feature electronic universal 120-277V high efficient 50/60Hz ballast with -18°C (0°F) minimum starting
- Die-cast door features 1/8" heat- and impact-resistant clear tempered glass lens. Hinged door secured in place via two (2) captive fasteners
- Durable polyester powder coat finish. Standard color is bronze. Other finish colors available
- Approximate net weight: 18 lbs. (8 kgs.)

### DESCRIPTION

The IMPACT Trapezoid full cutoff wall luminaire makes an ideal complement to site design. U.L. Listed and CSA Certified for wet locations in down mount applications and damp locations in up mounted applications.

Rugged construction and full cutoff classified optics provide facade and security lighting for light restricted zones surrounding schools, office complexes, apartments, and recreational facilities.

### DIMENSIONS



NOTE: In down light applications only.

### ORDERING INFORMATION

SAMPLE NUMBER: MHIP-T-150-MT-LL

<b>Lamp Type</b> <sup>1</sup> MP=Pulse Start Metal Halide MH=Metal Halide <sup>1</sup> HP=High Pressure Sodium CF=Compact Fluorescent	<b>Fixture Type</b> IP=Impact	<b>Fixture Shape</b> T=Trapezoid	<b>Lamp Wattage</b> <sup>1</sup> MP 50=50W 70=70W 100=100W 150=150W MH 175=175W HP 50=50W 70=70W 100=100W 150=150W CF 26=(1) 26W 32=(1) 32W 42=(1) 42W 26=(2) 26W 32=(2) 32W 42=(2) 42W	<b>Voltage</b> <sup>2</sup> 120V 208V 240V 277V 347V 480V DT=Dual-Tap MT=Multi-Tap wired 277V TT=Triple-Tap wired 347V E=Electronic 120-277V <sup>5</sup>	<b>Options</b> (See Below)
---	----------------------------------	-------------------------------------	--	---	-------------------------------

#### Options

- F1=Single Fuse, Specify Voltage (120, 277 or 347V)
- F2=Double Fuse, Specify Voltage (208 or 240V)
- PE=Button Photocontrol (Must Specify Voltage)<sup>3</sup>
- BK=Black
- WH=White
- AP=Grey
- GM=Graphite Metallic
- DP=Dark Platinum
- LL=Lamp Included (Must Specify Wattage on CF)
- TR=Tamper Resistant Screw (Door and Mounting Plate)
- UP10=10% Uplight<sup>4</sup>
- HS=House-side Shield Glass<sup>5</sup>
- PL=Polycarbonate Lens<sup>5,6</sup>
- Q=Quartz Restrike (1) T4 Lamp<sup>7</sup>
- EM=Emergency Quartz Restrike (1) T4 Lamp With Time Delay Relay<sup>7</sup>
- EM/SC=Emergency Separate Circuit (1) T4 Lamp<sup>7,8</sup>
- QMR=Quartz Restrike (1) MR16 Lamp<sup>4,9</sup>
- 2QMR=Quartz Restrike (2) MR16 Lamp<sup>4,9</sup>
- 2QMR/SC=Quartz Restrike (2) MR16 Lamp and (1) Emergency Separate Circuit MR16 Lamp<sup>4,8,9</sup>
- EMMR=Emergency Quartz Restrike (1) MR16 Lamp With Time Delay Relay<sup>4,9</sup>
- 2EMMR=Emergency Quartz Restrike (2) MR16 Lamp With Time Delay Relay<sup>4,9</sup>
- EM/SC/MR=Emergency Separate Circuit (1) MR16 Lamp<sup>8,9,10</sup>
- 2EM/SC/MR=Emergency Separate Circuit (2) MR16 Lamp<sup>8,9,10</sup>
- 2EMMR/SC=Emergency Quartz Restrike With Time Delay Relay (1) MR16 and (1) MR16 Emergency Separate Circuit Lamp<sup>4,8,9</sup>
- EM/SC/12V=Emergency Separate Circuit 12V Low Voltage (1) MR16 Lamp<sup>8,11</sup>
- 2EM/SC/12V=Emergency Separate Circuit 12V Low Voltage (2) MR16 Lamp<sup>8,11</sup>
- EMI40=Emergency Cold Temperature (UL924 Listed) Power Pack -18°C / 0°F, (1) CF Lamp, Specify Voltage<sup>12</sup>
- CF-EM=Emergency CF Power Pack (UL924 Listed) (1) CF Lamp. 0°C / 32°F. Specify Voltage<sup>13</sup>

NOTES: 1 Lamp type not available in all wattages - see wattage table. HID lamps are medium-base. 480V not available in 50W or 70W. 175W MH is available for non-U.S. markets only. 2 Products also available in non-US voltages and 50Hz for international markets. Consult your Cooper Representative for availability and ordering information. 3 PE not available with 480V. 4 Not available with CF lamps. 5 Available with CF Option only. In cold temperatures, compact fluorescent lamps produce lower illumination levels. 6 Down lighting position only. 7 (1) 120V Lamp, 100W maximum quartz lamp. Utility power may need to cycle to allow HID lamp to cool in warm climates. Not available with CF Option. Lamp supplied by others. 8 Leads out of the back of the unit for auxiliary 120V. 9 (1) or (2) 120V Lamps. GU10 base, 50W maximum each. Lamps supplied by others. 10 Not Available with 52, 64, 84 CF wattages. 11 (1) or (2) 12V bi-pin lamp, socket GU5.3 base, 35W maximum. Power supplied by low voltage DC source (supplied by others). Lamps supplied by others. 12 Specify 120 or 277V, (-18°C) minimum temperature. 13 Specify 120 or 277V, (0°C) minimum temperature. 14 Specifications and dimensions subject to change without notice.

### STOCK SAMPLE NUMBER (LAMP INCLUDED)

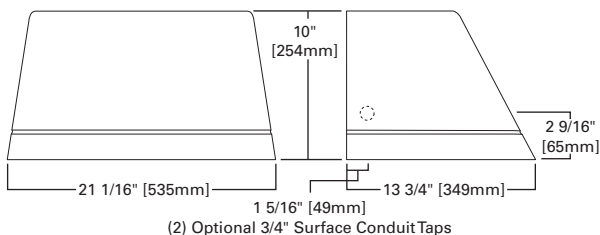
SAMPLE NUMBER: MPIT15

<b>Lamp Type</b> MP=Pulse Start Metal Halide HP=Metal Halide	<b>Fixture Type</b> IT=IMPACT Trapezoid	<b>Lamp Wattage</b> 10=100W 15=150W
--	--	---

NOTES: Standard multi-tap and bronze. Refer to In-Stock Guide for availability. Options not available with stock products. Refer to standard order information to add options.

Lamp Type	Wattage	Distribution	Voltage Chart
Pulse Start Metal Halide (MP)	50, 70, 100, 150W	Type II	DT=Dual-Tap 120/277V (wired 277V)
Metal Halide (MH)	175W	Type II	MT=Multi-Tap 120/208/240/277V (wired 277V)
High Pressure Sodium (HP)	50, 70, 100, 150W	Type II	TT=Triple-Tap 120/277/347V (wired 347V)
Compact Fluorescent (CF)	(1) 26, (1) 32, (1) 42W, (2) 26, (2) 32, (2) 42W	Type II	E=Electronic (CF only) 120-277V (wired 277V) (50/60 Hz)

## DIMENSIONS



NOTE: In down light applications only.

## DESCRIPTION

The IMPACT Trapezoid full cutoff wall luminaire makes an ideal complement to site design. U.L. Listed and CSA Certified for wet locations in down mount applications and damp locations in up mounted applications.

Rugged construction and full cutoff classified optics provide facade and security lighting for light restricted zones surrounding schools, office complexes, apartments, and recreational facilities.



## IPTM IMPACT TRAPEZOID MEDIUM

### 175-400W

High Pressure Sodium  
Pulse Start Metal Halide  
Metal Halide

### 32-120W

Compact Fluorescent

### FULL CUTOFF WALL MOUNT LUMINAIRE

## ORDERING INFORMATION

SAMPLE NUMBER: MPIP-TM-400-4-MT-LL

Lamp Type <sup>1</sup>	Fixture Type	Fixture Shape	Lamp Wattage <sup>2</sup>	Distribution	Voltage <sup>4,5</sup>	Options & Accessories
MP= Pulse Start Metal Halide MH= Metal Halide <sup>1</sup> HP= High Pressure Sodium CF= Compact Fluorescent	IP= Impact	TM= Trapezoid Medium	MP 150=150W 200=200W 250=250W 320=320W 350=350W 400=400W HP 250=250W 400=400W CF <sup>3</sup> 60=(1) 60W 70=(1) 70W 85=(1) 85W 96=(3) 32W 114=(2) 57W 120=(1) 120W 126=(3) 42W	HID 3= Type III 4= Type IV CF 2= Type II <sup>3</sup> 4= Type IV <sup>3</sup>	120V 208V 240V 277V 347V <sup>4</sup> 480V DT= Dual-Tap MT= Multi-Tap wired 277V TT= Triple-Tap wired 347V <sup>4</sup> E= Electronic 120-277V	(See Below)

### Options

F1= Single Fuse, Specify Voltage (120, 277, or 347V)  
F2= Double Fuse, Specify Voltage (208 or 240V)  
PE= Button Photocontrol (Specify Voltage)<sup>5</sup>  
BK= Black  
WH= White  
AP= Grey  
GM= Graphite Metallic  
DP= Dark Platinum  
LL= Lamp Included (Must Specify Wattage on CF)  
TR= Tamper Resistant Hardware (2 Screws)  
UP10= 10% Uplight  
UP30= 30% Uplight<sup>6</sup>  
HS= House-side Shield Glass<sup>7</sup>  
SC= Surface Conduit Entry Taps (2) 3/4" NPT<sup>8</sup>  
HAB= High Ambient 40°C Fixture (HID Lamp)<sup>9</sup>  
CSW= Circuit Switching<sup>10</sup>  
DIM= CF Dimming Ballast (CF Lamp/Must Specify Number of Lamps)<sup>11</sup>  
FR= Frosted Glass<sup>12</sup>  
Q= Quartz Restrike (1) T4 Lamp<sup>13, 14</sup>  
EM= Emergency Quartz Restrike (1) T4 Lamp with Time Delay Relay<sup>13, 14</sup>  
EM/SC= Emergency Separate Circuit (1) T4 Lamp<sup>13, 14, 15</sup>  
QMR= Quartz Restrike (1) MR16 Lamp<sup>14, 15</sup>

### Accessories

WG/ITM= Wire Guard<sup>22</sup>  
VS/ITM= Vandal Resistant Shield<sup>23</sup>

NOTES: 1 Lamp type not available in all wattages - see wattage table. 175W, 250W and 400W available for non-U.S. markets only. 2 All HID MP lamps are mogul-base, reduced envelope ED-28 except 200W MP is T15. All HID HP lamps are mogul-base ED-18. 3 Type II 60, 70, 85, 96, 114 or 126W CF only. Type IV - 60, 85 and 120W CF only. In cold temperatures, compact fluorescent lamps produce lower illumination levels. 4 Products also available in non-US voltages and 50HZ for international markets. 88% EISA Compliant MP fixtures not available in 347V and Triple-Tap voltages. 5 Not available with SC option teamed with 320-400W, not available with 480V. 6 Type III only. Not available with CF lamps. 7 Not available with 320 thru 400W. 8 Not available in Type IV 320V through 400W. Not available in Type III with F1, F2 with 320W through 400W. 9 Rated for 40°C for 250W and below fixture. Not available with CF lamps. 10 Each ballast independently wired. Available on 96, 114 or 126W CF wattages. 11 Specify CF option 96 or 126W, not available with HS, FR, or VS options. Must specify number of lamps. 12 Not available with 320W thru 400W or 114 or 126W CF options. 13 (1) 120V Lamp, 150W maximum quartz lamp. Utility power may need to cycle to allow HID lamp to cool in warm climates. 14 Emergency lamps supplied by others. 15 Emergency lamp leads out of the back of the unit to auxiliary 120V. 16 (1) or (2) 120V Lamps. GU10 base, 50W maximum each. Lamps supplied by others. 17 Power supplied by low voltage DC source (supplied by others). (1) or (2) 12V bi-pin socket GU5.3 base lamps, 35W maximum each. 18 Specify 120 or 277V, (-18°C) minimum temperature, not available with UP10 or CSW option, 70W CF maximum. 19 Specify 120 or 277V, (-18°C) minimum temperature, supports (2) 32W CF lamps, not available with UP10 or CSW option. 20 Specify 120 or 277V, (0°C) minimum, not available with UP10 or CSW option, 70W CF maximum. 21 Specify 120 or 277V, (0°C) minimum, not available with UP10 or CSW option, supports (2) 32W CF lamps. 22 Not available with VS option. 23 Not available with 320 thru 400W. Not available with wire guard. 24 Specifications and dimensions subject to change without notice.

Lamp Type	Wattage	Distribution
Pulse Start Metal Halide (MP)	150, 200, 250, 320, 350, 400W	Type III, IV
Metal Halide (MH)	175, 250, 400W	Type III, IV
High Pressure Sodium (HP)	250, 400W	Type III, IV
Compact Fluorescent (CF)	(1) 60, (1) 70, (1) 85W, (2) 120, (2) 57, (3) 32, (3) 42W	Type II, IV

## STOCK SAMPLE NUMBER (LAMP INCLUDED)

SAMPLE NUMBER: MPITM25

Lamp Type	Fixture Type	Lamp Wattage
MP= Pulse Start Metal Halide	ITM= IMPACT Trapezoid Medium	25=250W 32=320W 40=400W

NOTES: Standard multi-tap and bronze. Refer to In-Stock Guide for availability. Options not available with stock products. Refer to standard order information to add options.

Voltage Chart	
DT= Dual-Tap	120/277V (wired 277V)
MT= Multi-Tap	120/208/240/277V (wired 277V)
TT= Triple-Tap	120/277/347V (wired 347V)
E= Electronic (CF only)	120-277V (wired 277V) (50/60 Hz)

- U.L. listed for wet locations. CSA certified. EISA Compliant
- Two-piece die-cast aluminum housing
- Rigid steel mounting attachment anchored directly to wall over 4" J-Box with "Hook-N-Lock" mechanism for quick installation
- HID luminaires supplied with high power factor ballast with Class H insulation. Minimum starting temperatures are -40°C (-40°F) for HP and -30°C (-22°F) for MP/MH. Compact Fluorescent luminaires feature electronic universal 120-277V high efficient 50/60Hz ballast with -18°C (0°F) minimum starting
- Die-cast door features 1/8" heat- and impact-resistant clear tempered glass lens. Hinged removable door secured in place via two (2) captive fasteners
- Durable polyester powder coat finish. Standard color is bronze. Other finish colors available
- Approximate net weight: 42 lbs. (19 kgs.)

# COOPER LIGHTING - LUMARK



## IP IMPACT CYLINDER

**50-175W**  
High Pressure Sodium  
Pulse Start Metal Halide  
Metal Halide

**26-84W**  
Compact Fluorescent

**FULL CUTOFF  
WALL MOUNT LUMINAIRE**

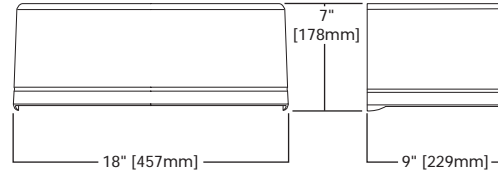
- U.L. listed for wet locations. CSA certified
- Two-piece die-cast aluminum housing
- Rigid steel mounting attachment fits directly to 4" J-Box or wall with "Hook-N-Lock" mechanism for quick installation
- HID luminaires supplied with high power factor ballast with Class H insulation. Minimum starting temperatures are -40°C (-40°F) for HP and -30°C (-22°F) for MP/MH. Compact Fluorescent luminaires feature electronic universal 120-277V high efficient 50/60Hz ballast with -18°C (0°F) minimum starting
- Die-cast door features 1/8" heat- and impact-resistant clear tempered glass lens. Hinged door secured in place via two (2) captive fasteners
- Durable polyester powder coat finish. Standard color is bronze. Other finish colors available
- Approximate net weight: 18 lbs. (8 kgs.)

### DESCRIPTION

The IMPACT Cylinder full cutoff wall luminaire makes an ideal complement to site design. U.L. Listed and CSA Certified for wet locations in down mount applications and damp locations in up mounted applications.

Rugged construction and full cutoff classified optics provide facade and security lighting for light restricted zones surrounding schools, office complexes, apartments, and recreational facilities.

### DIMENSIONS



NOTE: In down light applications only.

### ORDERING INFORMATION

SAMPLE NUMBER: MHIP-C-150-MT-LL

Lamp Type <sup>1</sup>	Fixture Type	Fixture Shape	Lamp Wattage <sup>1</sup>	Voltage <sup>2</sup>	Options
MP=Pulse Start Metal Halide	IP=Impact	C=Cylinder	MP	120V	(See Below)
MH=Metal Halide <sup>1</sup>			MH <sup>1</sup>	208V	
HP=High Pressure Sodium			CF	240V	
CF=Compact Fluorescent			50=50W	277V	
			70=70W	347V	
			100=100W	480V	
			150=150W	DT=Dual-Tap	
				MT=Multi-Tap wired 277V	
				TT=Triple-Tap wired 347V	
				E=Electronic 120-277V <sup>6</sup>	

### Options

- F1=Single Fuse, Specify Voltage (120, 277 or 347V)
- F2=Double Fuse, Specify Voltage (208 or 240V)
- PE=Button Photocontrol (Must Specify Voltage)<sup>3</sup>
- BK=Black
- WH=White
- AP=Grey
- GM=Graphite Metallic
- DP=Dark Platinum
- LL=Lamp Included (Must Specify Wattage on CF)
- TR=Tamper Resistant Screw (Door and Mounting Plate)
- UP10=10% Uplight<sup>4</sup>
- UP50=50% Uplight<sup>5</sup>
- HS=House-side Shield Glass<sup>6</sup>
- PL=Polycarbonate Lens<sup>6,7</sup>
- Q=Quartz Restrike (1) T4 Lamp<sup>8</sup>
- EM=Emergency Quartz Restrike (1) T4 Lamp With Time Delay Relay<sup>8</sup>
- EM/SC=Emergency Separate Circuit (1) T4 Lamp<sup>8,9</sup>
- QMR=Quartz Restrike (1) MR16 Lamp<sup>4,10</sup>
- EMMR=Emergency Quartz Restrike (1) MR16 Lamp With Time Delay Relay<sup>4,10</sup>
- EM/SC/MR=Emergency Separate Circuit (1) MR16 Lamp<sup>9,10,11</sup>
- EM/SC/12V=Emergency Separate Circuit 12V Low Voltage (1) MR16 Lamp<sup>9,12</sup>
- 2EM/SC/12V=Emergency Separate Circuit 12V Low Voltage (2) MR16 Lamp<sup>9,12</sup>
- EMI40=Emergency Cold Temperature (UL924 Listed) Power Pack -18°C / 0°F, (1) CF Lamp, Specify Voltage<sup>13</sup>
- CF-EM=Emergency CF Power Pack (UL924 Listed) (1) CF Lamp. 0°C / 32°F. Specify Voltage<sup>14</sup>

NOTES: 1 Lamp type not available in all wattages - see wattage table. HID lamps are medium-base. 480V not available in 50W or 70W. 175W MH is available for non-U.S. markets only. 2 Products also available in non-US voltages and 50Hz for international markets. Consult your Cooper Representative for availability and ordering information. 3 PE not available with 480V. 4 Not available with CF lamps. 5 Not available with dual CF lamps. 6 Available with CF Option only. In cold temperatures, compact fluorescent lamps produce lower illumination levels. 7 Down lighting position only. 8 (1) 120V Lamp, 100W maximum quartz lamp. Utility power may need to cycle to allow HID lamp to cool in warm climates. Not available with CF Option. Lamp supplied by others. 9 Leads out of the back of the unit for auxiliary 120V. 10 (1) or (2) 120V Lamps. GU10 base, 50W maximum each. Lamps supplied by others. 11 Not Available with 52, 64, 84 CF wattages. 12 (1) or (2) 12V bi-pin lamp, socket GU5.3 base, 35W maximum. Power supplied by low voltage DC source (supplied by others). Lamps supplied by others. 13 Specify 120 or 277V, (-18°C) minimum temperature. 14 Specify 120 or 277V, (0°C) minimum temperature. 15 Specifications and dimensions subject to change without notice.

### STOCK SAMPLE NUMBER (LAMP INCLUDED)

SAMPLE NUMBER: MPC15

Lamp Type	Fixture Type	Lamp Wattage
MP=Pulse Start Metal Halide	IC=IMPACT Cylinder	10=100W
HP=Metal Halide		15=150W

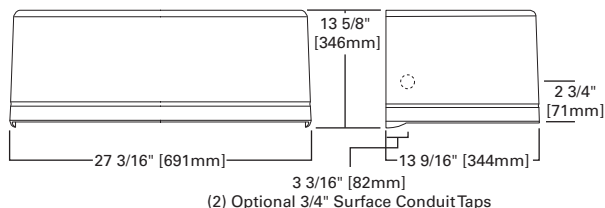
NOTES: Standard multi-tap and bronze. Refer to In-Stock Guide for availability. Options not available with stock products. Refer to standard order information to add options.

Lamp Type	Wattage	Distribution	Voltage Chart
Pulse Start Metal Halide (MP)	50, 70, 100, 150W	Type II	DT=Dual-Tap 120/277V (wired 277V)
Metal Halide (MH)	175W	Type II	MT=Multi-Tap 120/208/240/277V (wired 277V)
High Pressure Sodium (HP)	50, 70, 100, 150W	Type II	TT=Triple-Tap 120/277/347V (wired 347V)
Compact Fluorescent (CF)	(1) 26, (1) 32, (1) 42W, (2) 26, (2) 32, (2) 42W	Type II	E=Electronic (CF only) 120-277V (wired 277V) (50/60 Hz)



# COOPER LIGHTING - LUMARK

## DIMENSIONS



(2) Optional 3/4" Surface Conduit Taps



NOTE: In down light applications only.

## DESCRIPTION

The IMPACT Cylinder full cutoff wall luminaire makes an ideal complement to site design. U.L. Listed and CSA Certified for wet locations in down mount applications and damp locations in up mounted applications.

Rugged construction and full cutoff classified optics provide facade and security lighting for light restricted zones surrounding schools, office complexes, apartments, and recreational facilities.



## IPCM IMPACT CYLINDER MEDIUM

### 175-400W

High Pressure Sodium  
Pulse Start Metal Halide  
Metal Halide

### 32-120W

Compact Fluorescent

### FULL CUTOFF

### WALL MOUNT LUMINAIRE

## ORDERING INFORMATION

SAMPLE NUMBER: MPIP-CM-400-4-MT-LL

Lamp Type <sup>1</sup>	Fixture Type	Fixture Shape	Lamp Wattage <sup>2</sup>	Distribution	Voltage <sup>4,5</sup>	Options & Accessories	
MP= Pulse Start Metal Halide MH= Metal Halide <sup>1</sup> HP= High Pressure Sodium CF= Compact Fluorescent	IP= Impact	CM= Cylinder Medium	MP 150=150W 200=200W 250=250W 320=320W 350=350W 400=400W MH <sup>1</sup> 175=175W 250=250W 400=400W	HP 250=250W 400=400W CF <sup>3</sup> 60=(1) 60W 70=(1) 70W 85=(1) 85W 96=(3) 32W 114=(2) 57W 120=(1) 120W 126=(3) 42W	HID 3= Type III 4= Type IV CF 2= Type II <sup>3</sup> 4= Type IV <sup>3</sup>	120V 208V 240V 277V 347V <sup>4</sup> 480V DT= Dual-Tap MT= Multi-Tap wired 277V TT= Triple-Tap wired 347V <sup>4</sup> E= Electronic 120-277V	(See Below)

### Options

- F1=Single Fuse, Specify Voltage (120, 277, or 347V)
- F2=Double Fuse, Specify Voltage (208 or 240V)
- PE=Button Photocontrol (Specify Voltage)<sup>5</sup>
- BK=Black
- WH=White
- AP=Grey
- GM=Graphite Metallic
- DP=Dark Platinum
- LL=Lamp Included (Must Specify Wattage on CF)
- TR=Tamper Resistant Hardware (2 Screws)
- UP10=10% Uplight
- UP30=30% Uplight<sup>6</sup>
- HS=House-side Shield Glass<sup>7</sup>
- SC=Surface Conduit Entry Taps (2) 3/4" NPT<sup>8</sup>
- HAB=High Ambient 40°C Fixture (HID Lamp)<sup>9</sup>
- CSW=Circuit Switching<sup>10</sup>
- DIM=CF Dimming Ballast (CF Lamp/Must Specify Number of Lamps)<sup>11</sup>
- FR=Frosted Glass<sup>12</sup>
- Q=Quartz Restrike (1) T4 Lamp<sup>13, 14</sup>
- EM=Emergency Quartz Restrike (1) T4 Lamp with Time Delay Relay<sup>13, 14</sup>
- EM/SC=Emergency Separate Circuit (1) T4 Lamp<sup>13, 14, 15</sup>
- QMR=Quartz Restrike (1) MR16 Lamp<sup>14, 16</sup>

- 2QMR=Quartz Restrike (2) MR16 Lamps<sup>14, 16</sup>
- 2QMR/SC=Quartz Restrike (1) MR16 Lamp and (1) Emergency Separate Circuit MR16 Lamp<sup>14, 15, 16</sup>
- EMMR=Emergency Quartz Restrike (1) MR16 Lamp with Time Delay Relay<sup>14, 16</sup>
- 2EMMR=Emergency Quartz Restrike (2) MR16 Lamps with Time Delay Relay<sup>14, 16</sup>
- EM/SC/MR=Emergency Separate Circuit (1) MR16 Lamp<sup>14, 15, 16</sup>
- 2EM/SC/MR=Emergency Separate Circuit (2) MR16 Lamps<sup>14, 15, 16</sup>
- 2EMMR/SC=Emergency Quartz Restrike with Time Delay Relay (1) MR16 and (1) MR16 Emergency Separate Circuit Lamp<sup>14, 15, 16</sup>
- EM/SC/12V=Emergency Separate Circuit 12V Low Voltage (1) MR16 Lamp<sup>14, 15, 17</sup>
- 2EM/SC/12V=Emergency Separate Circuit 12V Low Voltage (2) MR16 Lamps<sup>14, 15, 17</sup>
- EMI40=Emergency Cold Temperature (UL924 Listed) Power Pack -18°C / 0°F, (1) CF Lamp, Specify Voltage<sup>18</sup>
- EMI40-2L=Emergency Cold Temperature (UL924 Listed) Power Pack (2) CF Lamps -18°C / 0°F. (Specify Voltage)<sup>18</sup>
- CF-EM=Emergency CF Power Pack (UL924 Listed) (1) CF Lamp. 0°C / 32°F. Specify Voltage<sup>20</sup>
- CF-EM/2L=Emergency CF Power Pack (UL924 Listed) (2) CF Lamps, 0°C / 32°F. Specify Voltage<sup>21</sup>

### Accessories

- WG/ICM=Wire Guard<sup>22</sup>
- VS/ICM=Vandal Resistant Shield<sup>23</sup>

**NOTES:** 1 Lamp type not available in all wattages - see wattage table. 175W, 250W and 400W available for non-U.S. markets only. 2 All HID MH lamps are mogul-base, reduced envelope ED-28 except 200W MP is T15. All HID HP lamps are mogul-base ED-18. 3 Type II 60, 70, 85, 96, 114 or 126W CF only. Type IV - 60, 85 and 120W CF only. In cold temperatures, compact fluorescent lamps produce lower illumination levels. 4 Products also available in non-US voltages and 50Hz for international markets. 88% EISA Compliant MP fixtures not available in 347V and Triple-Tap voltages. 5 Not available with SC option teamed with 320-400W, not available with 480V. 6 Type III only. Not available with CF lamps. 7 Not available with 320 thru 400W. 8 Not available in Type IV 320V through 400V. Not available in Type III with F1, F2 with 320W through 400W. 9 Rated for 40°C for 250W and below fixture. Not available with CF lamps. 10 Each ballast independently wired. Available on 96, 114 or 126W CF wattages. 11 Specify CF option 96 or 126W, not available with HS, FR, or VS options. Must specify number of lamps. 12 Not available with 320W thru 400W or 114 or 126W CF options. 13 (1) 120V Lamp, 150W maximum quartz lamp. Utility power may need to cycle to allow HID lamp to cool in warm climates. 14 Emergency lamps supplied by others. 15 Emergency lamp leads out of the back of the unit to auxiliary 120V. 16 (1) or (2) 120V Lamps. GU10 base, 50W maximum each. Lamps supplied by others. 17 Power supplied by low voltage DC source (supplied by others). (1) or (2) 12V bi-pin socket GU5.3 base lamps, 35W maximum each. 18 Specify 120 or 277V, (-18°C) minimum temperature, not available with UP10 or CSW option, 70W CF maximum. 19 Specify 120 or 277V, (-18°C) minimum temperature, supports (2) 32W CF lamps, not available with UP10 or CSW option. 20 Specify 120 or 277V, (0°C) minimum, not available with UP10 or CSW option, 70W CF maximum. 21 Specify 120 or 277V, (0°C) minimum, not available with UP10 or CSW option, supports (2) 32W CF lamps. 22 Not available with VS option. 23 Not available with 320 thru 400W. Not available with wire guard. 24 Specifications and dimensions subject to change without notice.

- U.L. listed for wet locations. CSA certified. EISA Compliant
- Two-piece die-cast aluminum housing
- Rigid steel mounting attachment anchored directly to wall over 4" J-Box with "Hook-N-Lock" mechanism for quick installation
- HID luminaires supplied with high power factor ballast with Class H insulation. Minimum starting temperatures are -40°C (-40°F) for HP and -30°C (-22°F) for MP/MH. Compact Fluorescent luminaires feature electronic universal 120-277V high efficient 50/60Hz ballast with -18°C (0°F) minimum starting
- Die-cast door features 1/8" heat- and impact-resistant clear tempered glass lens. Hinged removable door secured in place via two (2) captive fasteners
- Durable polyester powder coat finish. Standard color is bronze. Other finish colors available
- Approximate net weight: 48 lbs. (22 kgs.)

Lamp Type	Wattage	Distribution	Voltage Chart
Pulse Start Metal Halide (MP)	150, 200, 250, 320, 350, 400W	Type III, IV	DT= Dual-Tap 120/277V (wired 277V)
Metal Halide (MH)	175, 250, 400W	Type III, IV	MT= Multi-Tap 120/208/240/277V (wired 277V)
High Pressure Sodium (HP)	250, 400W	Type III, IV	TT= Triple-Tap 120/277/347V (wired 347V)
Compact Fluorescent (CF)	(1) 60, (1) 70, (1) 85W, (2) 120, (2) 57, (3) 32, (3) 42W	Type II, IV	E= Electronic (CF only) 120-277V (wired 277V) (50/60 Hz)

# COOPER LIGHTING - LUMARK



## IP IMPACT QUARTER SPHERE

**50-175W**  
High Pressure Sodium  
Pulse Start Metal Halide  
Metal Halide

**26-84W**  
Compact Fluorescent

**FULL CUTOFF  
WALL MOUNT LUMINAIRE**

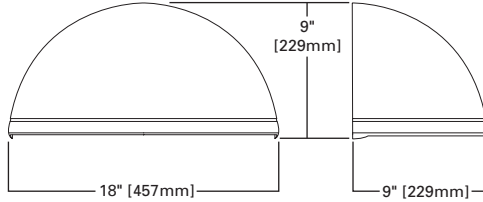
- U.L. listed for wet locations. CSA certified
- Two-piece die-cast aluminum housing
- Rigid steel mounting attachment fits directly to 4" J-Box or wall with "Hook-N-Lock" mechanism for quick installation
- HID luminaires supplied with high power factor ballast with Class H insulation. Minimum starting temperatures are -40°C (-40°F) for HP and -30°C (-22°F) for MP/MH. Compact Fluorescent luminaires feature electronic universal 120-277V high efficient 50/60Hz ballast with -18°C (0°F) minimum starting
- Die-cast door features 1/8" heat- and impact-resistant clear tempered glass lens. Hinged door secured in place via two (2) captive fasteners
- Durable polyester powder coat finish. Standard color is bronze. Other finish colors available
- Approximate net weight: 18 lbs. (8 kgs.)

### DESCRIPTION

The IMPACT Quarter Sphere full cutoff wall luminaire makes an ideal complement to site design. U.L. Listed and CSA Certified for wet locations in down mount applications and damp locations in up mounted applications.

Rugged construction and full cutoff classified optics provide facade and security lighting for light restricted zones surrounding schools, office complexes, apartments, and recreational facilities.

### DIMENSIONS



NOTE: In down light applications only.

### ORDERING INFORMATION

SAMPLE NUMBER: MHIP-S-150-MT-LL

<b>Lamp Type</b> MP=Pulse Start Metal Halide MH=Metal Halide HP=High Pressure Sodium CF=Compact Fluorescent	<b>Fixture Type</b> IP=Impact	<b>Fixture Shape</b> S=Quarter Sphere	<b>Lamp Wattage<sup>1</sup></b> MP 50=50W 70=70W 100=100W 150=150W MH 175=175W <sup>1</sup> HP 50=50W 70=70W 100=100W 150=150W CF 26=(1) 26W 32=(1) 32W 42=(1) 42W 26=(2) 26W 32=(2) 32W 42=(2) 42W	<b>Voltage<sup>2</sup></b> 120V 208V 240V 277V 347V 480V DT=Dual-Tap MT=Multi-Tap wired 277V TT=Triple-Tap wired 347V <sup>4</sup> E=Electronic 120-277V <sup>10</sup>	<b>Options</b> (See Below)
---	----------------------------------	--	--	--	-------------------------------

#### Options<sup>12</sup>

F1=Single Fuse, Specify Voltage (120, 277 or 347V)  
F2=Double Fuse, Specify Voltage (208 or 240V)  
PE=Button Photocontrol (Must Specify Voltage)  
BK=Black  
WH=White  
AP=Grey  
GM=Graphite Metallic  
DP=Dark Platinum  
LL=Lamp Included (Must Specify Wattage on CF)  
TR=Tamper Resistant Screw (Door and Mounting Plate)  
HS=House-side Shield Glass  
PL=Polycarbonate Lens  
Q=Quartz Restrike (1) T4 Lamp  
EM=Emergency Quartz Restrike (1) T4 Lamp With Time Delay Relay

EM/SC=Emergency Separate Circuit (1) T4 Lamp  
QMR=Quartz Restrike (1) MR16 Lamp  
EMMR=Emergency Quartz Restrike (1) MR16 Lamp With Time Delay Relay  
EM/SC/MR=Emergency Separate Circuit (1) MR16 Lamp  
2EM/SC/MR=Emergency Separate Circuit (2) MR16 Lamp  
2EMMR=Emergency Quartz Restrike (1) MR16 Lamp With Time Delay Relay and (1) MR16 Emergency Separate Circuit Lamp  
EM/SC/12V=Emergency Separate Circuit 12V Low Voltage (1) MR16 Lamp  
EMI40=Emergency Cold Temperature (UL924 Listed) Power Pack -18°C / 0°F, (1) CF Lamp, Specify Voltage  
CF-EM=Emergency CF Power Pack (UL924 Listed) (1) CF Lamp. 0°C / 32°F. Specify Voltage

NOTES: 1 Lamp type not available in all wattages - see wattage table. HID lamps are medium-base. 480V not available in 50W or 70W. 175W MH is available for non-U.S. markets only. 2 Products also available in non-US voltages and 50HZ for international markets. Consult your Cooper Representative for availability and ordering information. 3 PE not available with 480V. 4 Available with CF Option only. In cold temperatures, compact fluorescent lamps produce lower illumination levels. 5 Down lighting position only. 6 (1) 120V Lamp, 100W maximum quartz lamp. Utility power may need to cycle to allow HID lamp to cool in warm climates. Not available with CF Option. Lamp supplied by others. 7 Leads out of the back of the unit for auxillary 120V. 8 Not available with CF lamps. 9 (1) or (2) 120V Lamps. GU10 base, 50W maximum each. Lamps supplied by others. 10 Not Available with 52, 64, 84 CF wattages. 11 (1) or (2) 12V bi-pin lamp, socket GU5.3 base, 35W maximum. Power supplied by low voltage DC source (supplied by others). Lamps supplied by others. 12 Specify 120 or 277V, (-18°C) minimum temperature. 13 Specify 120 or 277V, (0°C) minimum temperature. 14 Specifications and dimensions subject to change without notice.

### STOCK SAMPLE NUMBER (LAMP INCLUDED)

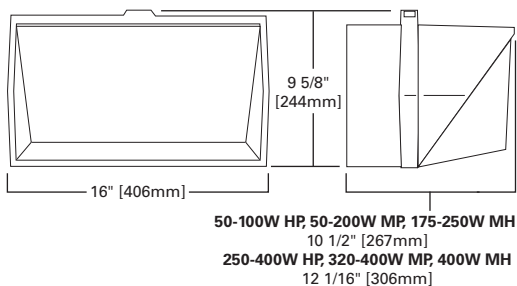
SAMPLE NUMBER: MPIS15

<b>Lamp Type</b> MP=Pulse Start Metal Halide HP=Metal Halide	<b>Fixture Type</b> IS=IMPACT Quarter Sphere	<b>Lamp Wattage<sup>1</sup></b> 10=100W Type II 15=150W
--	--	--

NOTES: Standard multi-tap and bronze. Refer to In-Stock Guide for availability. Options not available with stock products. Refer to standard order information to add options.

Lamp Type	Wattage	Distribution	Voltage Chart
Pulse Start Metal Halide (MP)	50, 70, 100, 150W	Type II	DT=Dual-Tap 120/277V (wired 277V)
Metal Halide (MH)	175W	Type II	MT=Multi-Tap 120/208/240/277V (wired 277V)
High Pressure Sodium (HP)	50, 70, 100, 150W	Type II	TT=Triple-Tap 120/277/347V (wired 347V)
Compact Fluorescent (CF)	(1) 26, (1) 32, (1) 42W, (2) 26, (2) 32, (2) 42W	Type II	E=Electronic (CF only) 120-277V (wired 277V) (50/60 Hz)

## DIMENSIONS



## DESCRIPTION

The Lumark Wal-Pak provides a durable and efficient exterior light source for any application requiring maximum performance and minimum maintenance. The rugged, die-cast aluminum housing, stainless steel hardware and gasket sealed optics compartment combine to make the Wal-Pak virtually impenetrable to contaminants.



## WL WAL-PAK

### 50 - 400 W

High Pressure Sodium  
Pulse Start Metal Halide  
Metal Halide

### WALL MOUNT LUMINAIRE

- U.L. listed for wet locations. CSA certified. EISA Compliant
- Captive corrosion resistant, single point mounting screw
- Die-cast aluminum housing is finished in dark bronze polyester powder coat
- Impact resistant borosilicate prismatic glass or polycarbonate refractor with aluminum reflector that provides maximum photometric performance and beam efficiency
- High-temperature silicone gasketing seals out external contaminants
- Mogul-base porcelain socket, except 150W and below has medium-base
- Normal or High power factor ballast with class H insulation. Minimum starting temperature is -40°C (-40°F) for HP and -30° C (-20°F) for MH and MP
- Door assembly is hinged at bottom for ease of maintenance
- 3/4" threaded entry on top for surface conduit entry or field installation of photocontrol
- Approximate net weight: 32-42 lbs. (15-19 kgs.)

## ORDERING INFORMATION

SAMPLE NUMBER: MPWL-250-MT-LL

Lamp Type	Series	Lamp Wattage <sup>3</sup>	Voltage <sup>4</sup>	Options & Accessories (See Below)
<b>MP</b> =Pulse Start Metal Halide	<b>WL</b> =Wal-Pak/Borosilicate Glass Lens/HPF	<b>MP</b> 50=50W 70=70W 100=100W 150=150W 200=200W 250=250W 320=320W 350=350W 400=400W	<b>MH</b> <sup>1</sup> 175=175W 250=250W 400=400W <b>HP</b> 50=50W 70=70W 100=100W 150=150W 250=250W 400=400W	<b>120V</b> <b>208V</b> <b>240V</b> <b>277V</b> <b>347V</b> <sup>5</sup> <b>480V</b> <b>MT</b> =Multi-Tap wired 277V <b>TT</b> =Triple-Tap wired 347V <sup>5</sup> <b>5T</b> =5-Tap <sup>6</sup>
<b>MH</b> =Metal Halide <sup>1</sup>	<b>PL</b> =Wal-Pak/Polycarbonate Lens/HPF <sup>2</sup>			
<b>HP</b> =High Pressure Sodium	<b>WE</b> =Wal-Pak/Borosilicate Glass Lens/NPF			

### Options<sup>7</sup>

**F1**=Single Fuse (120, 277 or 347V only)  
**F2**=Double Fuse (208, 240 or 480V only)  
**TR**=Tamper-resistant Screws  
**Q**=Quartz Restrike (Hot Strike Only)  
**EM**=Quartz Restrike with "Delay Relay"  
(Quartz lamp strikes at both hot and cold start)  
**EM/SC**=Emergency Separate Circuit  
**LL**=Lamp Included<sup>8</sup>  
**PE**=Internal Photocontrol (Specify Voltage)  
**PC**=Button Type Photocontrol

### Accessories<sup>9</sup>

**WG/WL**=Wire Guard<sup>10</sup>  
**VS/WL-XX**=Visor Cutoff Shield<sup>10</sup>  
**FC/WL**=Full Cutoff Shield  
**FSC/WL**=Semi Cutoff Shield  
**WLR**=Replacement Glass Lens  
**PLL**=Replacement Polycarbonate Lens (150W maximum)  
**PE-347V**=Field-installed Photocontrol, 347V  
**PE-480V**=Field-installed Photocontrol, 480V  
**PE/MT**=Field-installed Photocontrol  
**TRSD-1/4-20**=Tamper-resistant Screwdriver  
**PCS**=Polycarbonate Vandal Shield<sup>12</sup>  
**TWC**=Thru-way Conduit

**NOTES:** 1 175W, 250W and 400 MH available for non-US markets only. 2 150W maximum in HP and MP and 175W in MH. 3 Consult IES Photometric files for lamp information. 4 Products also available in non-US voltages and 50HZ for international markets. 5 88% Efficient EISA MP fixtures not available in 347V and Triple-tap voltages. 6 5-Tap ballast available in 400W MH only. 7 Add as suffix in the order shown. 8 Lamp is shipped separate from luminaire. Lamp is Cooper designated product based on luminaire requirements. Specified lamps must be ordered as a separate line item. 9 Order separately. 10 Wire guard, visor and shields can not be used together on the same unit. 11 Specifications and dimensions subject to change without notice.

## STOCK SAMPLE NUMBER (LAMP INCLUDED)

SAMPLE NUMBER: PS10

Series	Lamp Type	Lamp Wattage <sup>1</sup>
<b>P</b> =Wal-Pak	<b>S</b> =High Pressure Sodium <b>P</b> =Pulse Start Metal Halide	<b>10</b> =100W <b>15</b> =150W <b>25</b> =250W <b>32</b> =320W <b>40</b> =400W

**NOTES:** 1 320W available in MP only. 100W available in HP only. 2 Shipped with multi-tap ballast, wired 277V. Options not available with stock products. Order Accessories as separate items for field installation. Refer to standard ordering information to add options and accessories. Refer to in Stock Guide for availability.

Lamp Type	Wattage
Pulse Start Metal Halide (MP)	50, 70, 100, 150, 200, 250, 320, 350, 400W
Metal Halide (MH)	175, 250, 400W
High Pressure Sodium (HP)	50, 70, 100, 150, 250, 400W

Voltage Chart	
MT=Multi-Tap	120/208/240/277V (wired 277V)
TT=Triple-Tap	120/277/347V (wired 347V)
5T=5-Tap	120/208/277/347/480V (wired 480V)

# COOPER LIGHTING - LUMARK



## MN MON-2

**35-150W**  
High Pressure Sodium  
Pulse Start Metal Halide

### CUTOFF WALL MOUNT LUMINAIRE

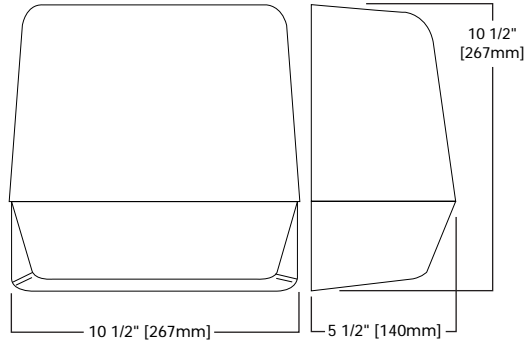
- U.L. listed for wet locations. CSA certified
- One-piece, durable die-cast aluminum housing in a pleasing soft-corner design
- Dark bronze polyester powder coat (standard) finish is both weather- and abrasion-resistant
- Compact ballast core and coil assembly
- Pulse-rated medium-base porcelain lamp socket
- Specular polished aluminum reflectors provide sharp cutoff and minimum glare with maximum spacing between luminaires
- Standard and tamper-proof lens screws included with each fixture
- Closed-cell gas-filled high-temperature silicone gasketing
- Approximate net weight: 9 lbs. (4 kgs.)

### DESCRIPTION

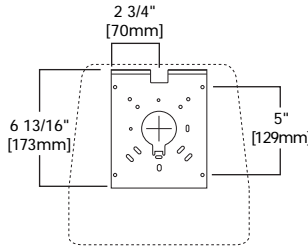
Energy-saving long-life HID lamps within a sealed and gasketed optics compartment reduce maintenance to a minimum. A polished-aluminum specular reflector system promotes maximum luminaire performance.



### DIMENSIONS



### MOUNTING DETAILS



### ORDERING INFORMATION

SAMPLE NUMBER: HPMN-70-120V-LL

<b>Lamp Type</b> MP=Pulse Start Metal Halide <sup>1</sup> HP=High Pressure Sodium	<b>Series</b> MN=Mon-2	<b>Lamp Wattage</b> <sup>2</sup> MP 50=50W 70=70W 100=100W 150=150W HP 35=35W 50=50W 70=70W 100=100W 150=150W	<b>Ballast</b> H=High Power Factor <sup>3,4</sup> =Normal Power Factor	<b>Voltage</b> <sup>5</sup> 120V	<b>Options</b> <sup>6</sup> LL=Lamp Included <sup>7</sup> F1=Single Fuse (120, 277 or 347V only) <sup>8</sup> PE=Internal Photocontrol (Specify Voltage) PC=Button Type Photocontrol	<b>Accessories</b> <sup>9</sup> WA1XX=277V Adapter (Specify Color. Bronze is Standard) WA1347XX=347V Adapter (Specify Color. Bronze is Standard) WA2=Forward Throw Reflector WA3XX=Pole Mount Adapter (Specify Color. Bronze is Standard) WA4XX=Glare Shield (Specify Color. Bronze is Standard) SD2925PK=Screwdriver for Tamper-Resistant Screws
---	---------------------------	--	--	-------------------------------------	--	---

NOTES: 1 100W MP maximum. 2 All lamps are medium-base. 3 Not available in 100W MP. 4 High Power Factor ballast is required on all MP products. 5 Products also available in non-US voltages and 50Hz for international markets. Consult factory for availability and ordering information. 6 Add as suffix in the order shown. 7 Lamp is shipped separate from luminaire. Lamp is Cooper designated product based on luminaire requirements. Specified lamps must be ordered as a separate line item. 8 Mon-2 F1 single fuse available in 120V only. 9 Order separately. 10 Specifications and dimensions subject to change without notice.

### STOCK SAMPLE NUMBER (LAMP INCLUDED)

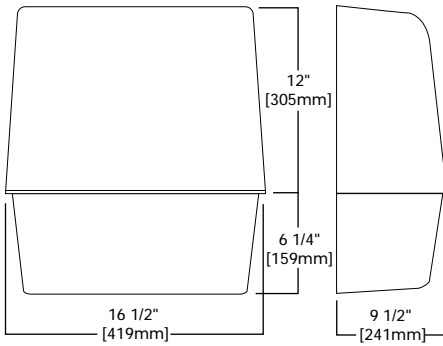
SAMPLE NUMBER: HPMN70-120V-LL

<b>Series/Lamp Type</b> HPMN=High Pressure Sodium	<b>Lamp Wattage</b> 70=70W 15=150W	<b>Voltage</b> 120V	<b>Option</b> LL=Lamp Included
--	--	------------------------	-----------------------------------

NOTES: 1 Options not available with stock products. Order accessories as separate items for field installation. Refer to standard ordering information to add options and accessories. Refer to In-Stock Guide for availability. 3 Specifications and dimensions subject to change without notice.

Lamp Type	Wattage
Pulse Start Metal Halide (MP)	50, 70, 100, 150W
High Pressure Sodium (HP)	35, 50, 70, 100, 150W

## DIMENSIONS



## DESCRIPTION

The Lumark MON-4 features an injection-molded polycarbonate housing / lens and a die-cast aluminum back plate for rugged durability.



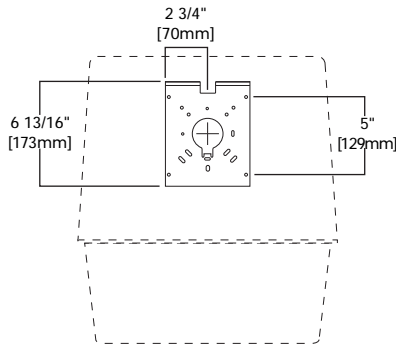
## M4 MON-4

**70-400W**

High Pressure Sodium  
Pulse Start Metal Halide  
Metal Halide

CUTOFF WALL MOUNT  
LUMINAIRE

## MOUNTING DETAILS



## ORDERING INFORMATION

SAMPLE NUMBER: MPM4-GL-250-MT-LL

<b>Lamp Type</b> MP=Pulse Start Metal Halide MH=Metal Halide <sup>1,2</sup> HP=High Pressure Sodium	<b>Lens Type</b> P=Polycarbonate <sup>3</sup> GL=Borosilicate Glass	<b>Lamp Wattage</b> <sup>2</sup> MP 70=70W 100=100W 150=150W 200=200W 250=250W 320=320W <sup>4</sup> 350=350W <sup>4</sup> 400=400W <sup>4</sup> MH <sup>2</sup> 175=175W 250=250W 400=400W HP 70=70W 100=100W 150=150W 250=250W 400=400W	<b>Voltage</b> <sup>5</sup> 120V 208V 240V 277V 347V <sup>6</sup> 480V MT=Multi-Tap wired 277V TT=Triple-Tap wired 347V <sup>6</sup> 5T=5-Tap <sup>7</sup>	<b>Options</b> <sup>8</sup> F1=Single Fuse (120, 277 or 347V only) <sup>9</sup> F2=Double Fuse (208, 240 or 480V only) <sup>9</sup> LL=Lamp Included <sup>10</sup> Q=Quartz Restrike (Cold Start) <sup>9</sup> EM=Quartz Restrike with "Delay Relay" (Quartz lamp strikes at both hot and cold starts) <sup>9</sup> QLL=Quartz Lamp Included <sup>9,10</sup> PE=Internal Photocontrol (Specify Voltage) <sup>9</sup>	<b>Accessories</b> <sup>11</sup> SD2925PK=Screwdriver for Tamper-resistant Screws
<b>Series</b> M4=Mon-4					

**NOTES:** 1 All lamps are mogul-base except 150W MP and lower are medium-base. Lamp included. 2 175 and 250W MH available to non-US markets only. 3 Polycarbonate lens available from 70-250W HP, 70-150W MP and 175W MH. 4 Consult factory for availability. 5 Products also available in non-US voltages and 50Hz for international markets. 6 88% efficient EISA compliant fixtures not available in 347V or Triple-tap voltages. 7 5-Tap available in 400W MH only. 8 Add as suffix in the order shown. 9 250W maximum MP or MH. 10 Lamp is shipped separate from luminaire. Lamp is Cooper designated product based on luminaire requirements. Specified lamps must be ordered as a separate line item. 11 Order separately. 12 Specifications and dimensions subject to change without notice.

- U.L. listed for wet locations. CSA certified. EISA Compliant
- One-piece, heavy-duty, die-cast aluminum housing is finished in dark bronze polyester powder coat
- Normal or high power factor compact coil and core ballast with class H insulation
- Anodized aluminum reflector is designed for optimum light control and sharp cutoff (adjustable from 70° to 86°)
- Mogul-base porcelain enclosed screw-shell socket, except 150W MP and lower which is medium-base
- Closed-cell high-temperature silicone gasketing seals out external contaminants
- Lens lowers on spring-loaded retaining wires for quick access to internal components during relamping and maintenance
- Approximate net weight: 47 lbs. (21 kgs.)

Lamp Type	Wattage
Pulse Start Metal Halide (MP)	70, 100, 150, 200, 250, 320, 350, 400W
Metal Halide (MH)	175, 250, 400W
High Pressure Sodium (HP)	70, 100, 150, 250, 400W

Voltage Chart	
MT=Multi-Tap	120/208/240/277V (wired 277V)
TT=Triple-Tap	120/277/347V (wired 347V)
5T=5-Tap	120/208/277/347/480V (wired 480V)

# COOPER LIGHTING - LUMARK



## WM WAL-LITE

**35-70W**  
High Pressure Sodium

**42W**  
Compact Fluorescent

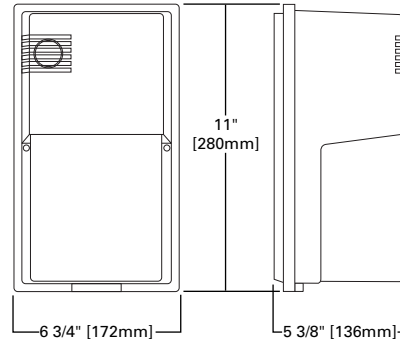
### COMPACT WALL MOUNT LUMINAIRE

- U.L. listed for wet locations. CSA certified
- Die-cast aluminum back plate for rugged durability
- Injection-molded polycarbonate housing. Standard color bronze. Optional white finish available
- Aluminum reflector and prismatic refractor directs light down and out, reducing glare and wasted light
- HID: HP up to 70W, lamp included. CF: 42W, lamp included with stock models
- HID: 4Kv medium 3PSE socket. CF: Gx24q-4 (4-pin)
- Housing is sealed and gasketed
- 1/2" NPS entry point for direct mount applications where internal wiring is desired
- Can be mounted to any vertical surface
- Approximate net weight: 4.6-7 lbs. (2.04-3 kgs.)

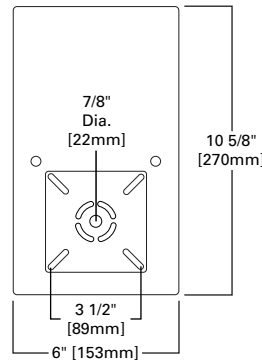
#### DESCRIPTION

The Lumark WAL-LITE features a injection-molded polycarbonate housing / lens and a die-cast aluminum back plate for rugged durability.

#### DIMENSIONS

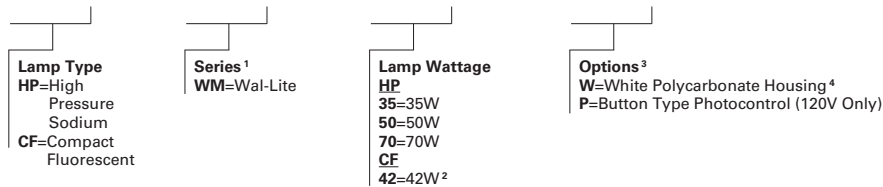


#### MOUNTING DETAIL



#### ORDERING INFORMATION (LAMP INCLUDED)

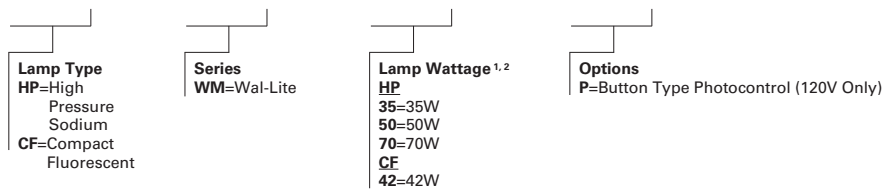
SAMPLE NUMBER: HPWM70



NOTES: 1 HP 120V only. CF 120-277V electronic ballast. 2 In cold temperatures, compact fluorescent lamps produce lower illumination levels. 3 Add as suffix in the order shown. 4 Not available in 35W HP and 42W CF. 5 Products also available in non-US voltages for international markets. 6 Specifications and dimensions subject to change without notice.

#### STOCK SAMPLE NUMBER (LAMP INCLUDED)

SAMPLE NUMBER: HPWM70

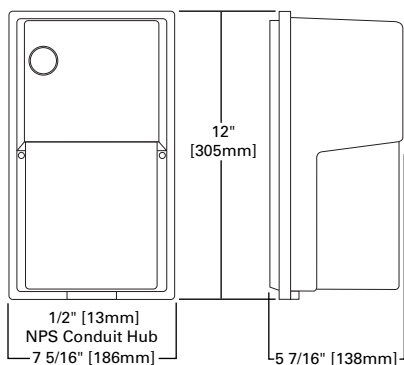


NOTES: 1 42W available in CF only. 2 35, 50, 70W fixtures are 120V. 42W CF without option without photocontrol option is 120-277V. 3 Specifications and dimensions subject to change without notice.

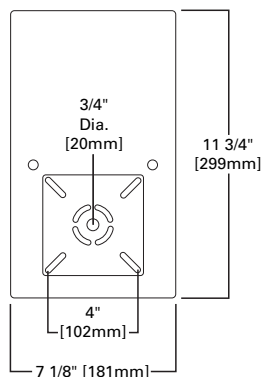
Lamp Type	Wattage
High Pressure Sodium (HP)	35, 50, 70W
Compact Fluorescent (CF)	42W

# COOPER LIGHTING - LUMARK

## DIMENSIONS



## MOUNTING DETAIL



## DESCRIPTION

The Lumark Wal-Lite Glass features a clear prismatic impact-resistant borosilicate glass lens and a die-cast aluminum back plate for rugged durability.

Wal-Lite Glass can be mounted to any vertical surface, and delivers excellent beam control for areas such as entrance/eaves, corridors, parking garages, pathways, recreational, retail, security, transportation and warehouse applications.



## WM WAL-LITE GLASS

**50-100W**

Pulse Start Metal Halide

COMPACT GLASS  
WALL MOUNT  
LUMINAIRE

- U.L. listed for wet locations. CSA certified
- Die-cast aluminum back plate
- Die-cast aluminum housing finished in bronze polyester powder coat
- Formed aluminum reflector and prismatic borosilicate glass refractor
- 4KV pulse-rated medium-base porcelain socket
- Housing is sealed and gasketed
- 1/2" NPS entry point for direct mount applications where internal wiring is desired
- Flush-mount to vertical surface via die-cast aluminum back plate over recessed J-box or direct to wall and run supply wires through bottom 1/2" NPS entry
- Approximate net weight: 12 lbs. (5.4 kgs.)

## ORDERING INFORMATION (LAMP INCLUDED)

SAMPLE NUMBER: MPWM10G

<b>Lamp Type</b> <sup>1</sup> MP=Pulse Start Metal Halide	<b>Series</b> WM=Wal-Lite	<b>Lamp Wattage</b> 50=50W 70=70W 10=100W	<b>Lens Type</b> G=Glass	<b>Accessories</b> <sup>2,3</sup> PB120V=Button Type Photocontrol Field Installed (120V only) PB-208/240V=Button Type Photocontrol Field Installed (208/240V only) PB-277V=Button Type Photocontrol Field Installed (277V only) PE/MT=Field Installed Photocontrol
---	------------------------------	--	-----------------------------	--

NOTES: 1 All lamps are medium-base. Lamp is included. 2 Order separately. 3 Products also available in non-US voltages and frequencies for international markets. 4 Specifications and dimensions subject to change without notice.

# COOPER LIGHTING - LUMARK



## WP WAL-EYE

**70-175W**  
High Pressure Sodium  
Pulse Start Metal Halide  
Metal Halide

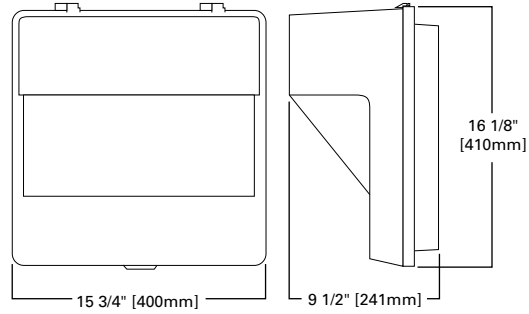
**WALL MOUNT  
LUMINAIRE**

- Die-cast aluminum base housing is U.L. listed for wet locations and CSA certified
- One-piece polycarbonate front cover with choice of prismatic or clear lens area
- Specially formulated finish on inside of unit for maximum weather resistance
- Formed, specular anodized aluminum reflector
- Cast-in gasket-retaining channel positively locates door gasket
- Molded-in latch for toolless entry
- Approximate net weight: 20 lbs. (9 kgs.)

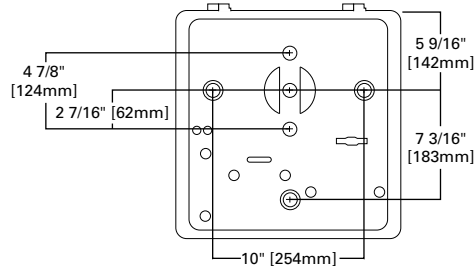
### DESCRIPTION

The Lumark WAL-Eye blends durable polycarbonate construction and efficient illumination with an exciting design to deliver lasting performance in virtually any architectural setting.

### DIMENSIONS



### MOUNTING DETAILS



### ORDERING INFORMATION

SAMPLE NUMBER: MPWP-150H-MT-Q

<b>Lamp Type</b> MP=Pulse Start Metal Halide MH=Metal Halide <sup>1</sup> HP=High Pressure Sodium	<b>Lamp Wattage</b> MP 70=70W 100=100W 150=150W <sup>3</sup> MH <sup>1,4</sup> 175=175W <sup>4</sup> HP 70=70W 100=100W 150=150W <sup>3</sup>	<b>Ballast</b> H=High Power Factor <sup>5</sup> _=Normal Power Factor	<b>Voltage</b> <sup>6</sup> 120V 208V 240V 277V 347V 480V MT=Multi-Tap wired 277V TT=Triple-Tap wired 347V	<b>Options</b> <sup>7</sup> F1=Single Fuse (120, 277 or 347V only) F2=Double Fuse (208, 240 or 480V only) TR=Tamper-Resistant Screws Q=Quartz Restrike (Hot Restrike Only) LL=Lamp Included <sup>8</sup> R=Omit Hinge Pins and include Vandal-Proof Screws PE=Internal Photocontrol (Specify Voltage) PC=Button Type Photocontrol	<b>Accessories</b> <sup>9</sup> SPA=Square Pole Adapter SCK Surf Cond Kit=Surface Conduit Kit
<b>Series</b> <sup>2</sup> WP=WAL-Eye w/ Prismatic Polycarbonate WC=WAL-Eye w/ Clear Polycarbonate					

NOTES: 1 175W MH available in non-US markets only. 2 Standard lens is prismatic polycarbonate. To specify clear polycarbonate change "WP" in catalog number to "WC". 3 Uses S-55 (55 Volt) lamp only. 4 Uses coated lamp. 5 High Power Factor ballast is required on all MP and MH products. 6 Products also available in non-US voltages and 50Hz for international markets. 7 Add as suffix in the order shown. 8 Lamp is shipped separate from luminaire. Lamp is Cooper designated product based on luminaire requirements. Specified lamps must be ordered as a separate line item. 9 Order separately. 10 Specifications and dimensions subject to change without notice.

### STOCK SAMPLE NUMBER

SAMPLE NUMBER: MPWP-150H-MT

<b>Lamp Type</b> MP=Pulse Start Metal Halide HP=High Pressure Sodium	<b>Series</b> WP=Wal-Eye	<b>Lamp Wattage</b> 150H=150W	<b>Voltage</b> MT=Multi-Tap
--	-----------------------------	----------------------------------	--------------------------------

NOTES: Standard multi-tap and bronze. Refer to In-Stock Guide for availability. Options not available with stock products. Order accessories as separate item for field installation. Refer to standard ordering information to add options and accessories.

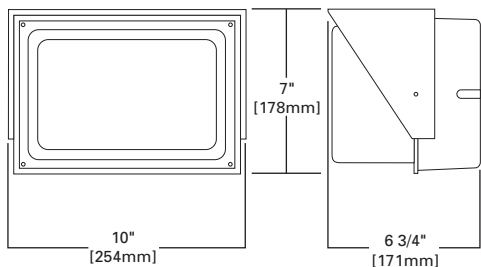
Lamp Type	Wattage
Pulse Start Metal Halide (MP)	70, 100, 150W
Metal Halide (MH)	175W
High Pressure Sodium (HP)	70, 100, 150W

Voltage Chart	
DT=Dual-Tap	120/277V (wired 277V)
MT=Multi-Tap	120/208/240/277V (wired 277V)
TT=Triple-Tap	120/277/347V (wired 347V)



# COOPER LIGHTING - LUMARK

## DIMENSIONS



## DESCRIPTION

The Lumark Glass-Pak is constructed of premium die-cast aluminum and features a borosilicate glass lens.

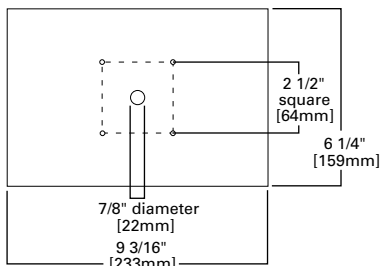


## GP GLASS-PAK

**35-175W**  
High Pressure Sodium  
Pulse Start Metal Halide  
Metal Halide

WALL MOUNT  
LUMINAIRE

## MOUNTING DETAIL



## ORDERING INFORMATION

SAMPLE NUMBER: MPPG-150H-MT-LL

<b>Lamp Type</b> <b>MP</b> =Pulse Start Metal Halide <b>MH</b> =Metal Halide <sup>1</sup> <b>HP</b> =High Pressure Sodium <b>Series</b> <b>GP</b> =Glass-Pak	<b>Lamp Wattage</b> <sup>1</sup> <b>MP</b> 50=50W 70=70W 100=100W 150=150W <b>MH</b> 175=175W <sup>1</sup> <b>HP</b> 35=35W <sup>3</sup> 50=50W <sup>3</sup> 70=70W 100=100W 150=150W	<b>Ballast</b> <sup>4</sup> <b>H</b> =High Power Factor <b>=</b> =Normal Power Factor	<b>Voltage</b> <sup>5</sup> 120V 208V 240V 277V 347V 480V <sup>3</sup> <b>DT</b> =Dual-Tap <b>MT</b> =Multi-Tap wired 277V <b>TT</b> =Triple-Tap wired 347V	<b>Options</b> <sup>6</sup> <b>LL</b> =Lamp Included <sup>7</sup> <b>TR</b> =Tamper Resistant Screws <b>F1</b> =Single Fuse (120, 277 or 347V only) <b>F2</b> =Double Fused (208, 240 or 480V only) <b>PE</b> =Internal Photocontrol (Specify Voltage) <b>PC</b> =Button Type Photocontrol	<b>Accessories</b> <sup>8</sup> <b>UB-U Universal BKT</b> =Universal Mounting Bracket <b>WG/GP-GS</b> =Wire Guard <b>PE-480V</b> =Field Installed Photocontrol, 480V <b>PE-347V</b> =Field Installed Photocontrol, 347V <b>PE/MT</b> =Field Installed Photocontrol <b>TRSD-8/32</b> =Tamper-Resistant Screwdriver
---	--	---	--	--	---

**NOTES:** 1 All HID lamps are medium-base. 175W MH is available for non-US markets only. 2 35W is HP only, 120V only. 3 480V not available in 35 or 50W. 4 High Power Factor ballast required on all MP and MH products. 5 Products also available in non-US voltages and 50Hz for international markets. Consult factory for availability and ordering. 6 Add as suffix in the order shown. 7 Lamp is shipped separate from luminaire. Lamp is Cooper designated product based on luminaire requirements. Specified lamps must be ordered as a separate line item. 8 Order separately. 9 Specifications and dimensions subject to change without notice.

## STOCK SAMPLE NUMBER (LAMP INCLUDED)

SAMPLE NUMBER: MPPG-70H-DT-LL

<b>Lamp Type</b> <b>MP</b> =Pulse Start Metal Halide	<b>Series</b> <b>GP</b> =Glass Pak	<b>Lamp Wattage</b> 70H=70W 100H=100W 150H=150W	<b>Voltage</b> <b>DT</b> =Dual-Tap <sup>1</sup> <b>MT</b> =Multi-Tap	<b>Options</b> <b>LL</b> =Lamp Included
---	---------------------------------------	--	--	--

**NOTES:** 1 Dual-Tap available on 70W. Standard multi-tap and bronze. Refer to In-Stock Guide for availability. Options not available with stock products. Order accessories as separate item for field installation. Refer to standard ordering information to add options and accessories.

- U.L. listed for wet locations. CSA certified
- Die-cast aluminum housing finished in architectural dark bronze polyester powder coat
- Precision aluminum reflector/visor system directs light down and out, eliminating glare and wasted light
- Optical system is sealed with foam-in-place silicone gasketing
- Can be mounted to any vertical surface. 1/2" knockouts on side of housing accommodate surface-mounted conduit, or back plate can be mounted to 4" octagonal J-box
- Prismatic borosilicate glass refractor provides excellent beam distribution without lens yellowing
- Approximate net weight: 18 lbs. (8 kgs.)

Lamp Type	Wattage
Pulse Start Metal Halide (MP)	70, 100, 150W
Metal Halide (MH)	175W
High Pressure Sodium (HP)	70, 100, 150W

Voltage Chart	
DT=Dual-Tap	120/277V (wired 277V)
MT=Multi-Tap	120/208/240/277V (wired 277V)
TT=Triple-Tap	120/277/347V (wired 347V)

# COOPER LIGHTING - LUMARK



## GS SUPER SMOKEY

**35-175W**  
High Pressure Sodium  
Pulse Start Metal Halide  
Metal Halide

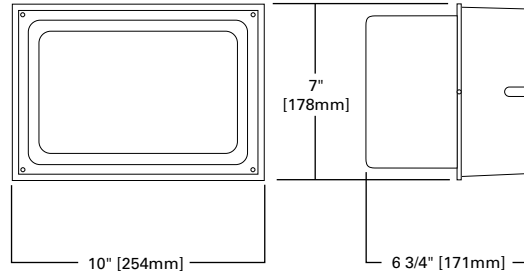
WALL MOUNT  
LUMINAIRE

- U.L. listed for wet locations. CSA certified
- Die-cast aluminum housing finished in architectural dark bronze polyester powder coat
- Prismatic borosilicate glass refractor and aluminum reflector provide excellent beam distribution without lens yellowing
- Foam-in-place door gasketing seals out external contaminants
- 1/2" K.O.s inside for surface mounted conduit and drill spots in back for mounting to 4" octagonal J-box
- Approximate net weight: 18 lbs. (8 kgs.)

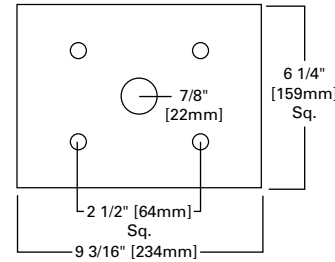
### DESCRIPTION

The Lumark Super Smokey is constructed of premium die-cast aluminum and features a borosilicate glass lens. The housing forms a solid foundation for the electrical components and an anodized aluminum reflector.

### DIMENSIONS



### MOUNTING DETAIL



### ORDERING INFORMATION

SAMPLE NUMBER: MPGS-150H-120V-LL

Lamp Type	Series	Lamp Wattage <sup>1</sup>	Ballast <sup>5</sup>	Voltage <sup>6</sup>	Options <sup>7</sup>	Accessories <sup>10</sup>
MP=Pulse Start Metal Halide	GS=Super Smokey	MP 50=50W <sup>2</sup> 70=70W 100=100W 150=150W	H=High Power Factor _=Normal Power Factor	120V 120/277V <sup>4</sup> 208V 240V 277V 347V 480V	LL=Lamp Included <sup>8</sup> TR=Tamper Resistant Screws F1=Single Fuse (120, 277 or 347V only) F2=Double Fused (208, 240 or 480V only) PE=Internal Photocontrol (Specify Voltage) <sup>9</sup> PC=Button Type Photocontrol	UB-U Universal BKT=Universal Mounting Bracket WG/GP-GS=Wire Guard PE-347V=Field Installed Photocontrol, 347V PE-480V=Field Installed Photocontrol, 480V PE/MT=Field Installed Photocontrol TRSD-8/32=Tamper-Resistant Screwdriver
MH=Metal Halide		MH 175=175W <sup>4</sup>		DT=Dual-Tap MT=Multi-Tap wired 277V TT=Triple-Tap wired 347V		
HP=High Pressure Sodium		HP 35=35W <sup>2,3</sup> 50=50W <sup>2</sup> 70=70W				

NOTES: 1 All lamps are medium-base. 2 480V not available in 35 or 50W. 3 35W is HP, 120V only. 4 175W MH available in non-US markets only. 175W available in 120/277V. 5 Ballast for 120V units are Normal Power Factor Reactor type. High Power Factor ballast is required on all MP and MH products. 6 Products also available in non-US voltages and 50Hz for international markets. 7 Add as suffix in the order shown. 8 Lamp is Cooper designated product based on luminaire requirements. Specified lamps must be ordered as a separate line item. 9 Single voltage only. Not available in 175W MH. 10 Order separately. 11 Specifications and dimensions subject to change without notice.

### STOCK SAMPLE NUMBER (LAMP INCLUDED)

SAMPLE NUMBER: MPGS-15-MT-LL

Lamp Type	Series	Lamp Wattage	Voltage	Options
MP=Pulse Start Metal Halide	GS=Super Smokey	15=150W	MT=Multi-Tap	LL=Lamp Included

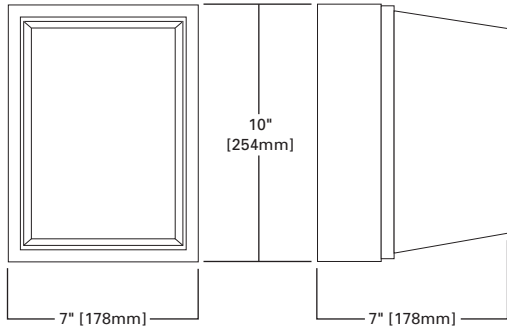
NOTES: Options not available with stock products. Order accessories as separate item for field installation. Refer to standard ordering information to add options and accessories. Refer to In-Stock Guide for availability.

Lamp Type	Wattage
Pulse Start Metal Halide (MP)	50, 70, 100, 150W
Metal Halide (MH)	175W
High Pressure Sodium (HP)	35, 50, 70W

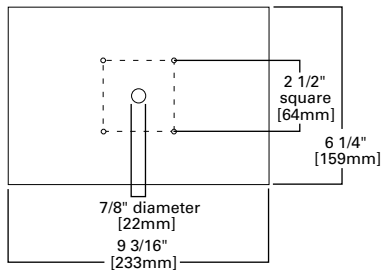
Voltage Chart	
DT=Dual-Tap	120/277V (wired 277V)
MT=Multi-Tap	120/208/240/277V (wired 277V)
TT=Triple-Tap	120/277/347V (wired 347V)

# COOPER LIGHTING - LUMARK

## DIMENSIONS



## MOUNTING DETAIL



## DESCRIPTION

The Lumark Smokey combines contemporary design with a premium die-cast aluminum housing and sturdy injection-molded polycarbonate refractor, creating a fixture which is both durable and attractive.



## VR SMOKEY

### 35-100W

High Pressure Sodium  
Pulse Start Metal Halide

### 13-56W

Compact Fluorescent

COMPACT WALL MOUNT  
LUMINAIRE

## ORDERING INFORMATION

SAMPLE NUMBER: MPVR-PC-50-120V-LL

<b>Lamp Type</b> <b>MP</b> =Pulse Start Metal Halide <b>HP</b> =High Pressure Sodium <b>CF</b> =Compact Fluorescent	<b>Refractor Type</b> <b>PC</b> =Clear Polycarbonate <b>PW</b> =White Polycarbonate <sup>1</sup>	<b>Lamp Wattage</b> <sup>2</sup> <b>MP</b> 50=50W <sup>4</sup> 70=70W 100=100W <sup>3</sup> <b>HP</b> 35=35W <sup>3,4</sup> 50=50W 70=70W <sup>4</sup> 100=100W <b>CF</b> 13=13W 26=26W 52=(2) 26W	<b>Voltage</b> <sup>5</sup> 120V 208V 240V 277V 347V 480V <sup>6</sup> <b>MT</b> =Multi-Tap wired 277V <b>TT</b> =Triple-Tap wired 347V <b>E</b> =Electronic 120-277V <sup>6</sup>	<b>Options</b> <sup>7</sup> <b>LL</b> =Lamp Included <sup>8</sup> <b>TR</b> =Tamper Resistant Screws <b>F1</b> =Single Fuse (120, 277 or 347V only) <b>F2</b> =Double Fused (208, 240 or 480V only) <b>PE</b> =Internal Photocontrol (Specify Voltage) <b>PC</b> =Button Type Photocontrol	<b>Accessories</b> <sup>9</sup> <b>UB-U Universal BKT</b> =Universal Mounting Bracket <b>WG/GP-GS</b> =Wire Guard <b>PE-347V</b> =Field Installed Photocontrol, 347V <b>PE-480V</b> =Field Installed Photocontrol, 480V <b>TRSD-8/32</b> =Tamper-Resistant Screwdriver <b>PE/MT</b> =Field Installed Photocontrol <b>HV/VR-XX</b> =Horizontal Visor <b>VV/VR</b> =Vertical Visor
--	--	---	---	--	--

NOTES: 1 70W maximum. 2 All HID lamps are medium-base. 3 120V only. 4 480V not available in 35 or 50W. 5 Products also available in non-US voltages and 50Hz for international markets. 6 Electronic ballast available on 26 and 52W CF units. 7 Add as suffix in the order shown. 8 Lamp is Cooper designated product based on luminaire requirements. Specified lamps must be ordered as a separate line item. 9 Order separately, replace XX with color specification. 10 Specifications and dimensions subject to change without notice.

## STOCK SAMPLE NUMBER (LAMP INCLUDED)

SAMPLE NUMBER: BS10

<b>Series</b> <b>B</b> =Smokey	<b>Lamp Type</b> <b>S</b> =High Pressure Sodium	<b>Lamp Wattage</b> 50=50W 70=70W 10=100W
-----------------------------------	--	--

NOTES: Options not available with stock products. Order Accessories as separate items for field installation. Refer to standard ordering information to add options and accessories. Refer to In-Stock Guide for availability.

- U.L. listed for wet locations. CSA certified
- Die-cast aluminum housing finished in architectural dark bronze polyester powder coat
- Optical system is sealed with closed-cell, gas-filled, high-temperature silicone gasketing
- Can be ceiling, wall or pole mounted in horizontal or vertical position. 1/2" knockouts on side of housing accommodate surface-mounted conduit, or back plate can be mounted to 4" octagonal J-box
- Injection-molded prismatic polycarbonate refractor is available in white or clear
- Approximate net weight: 6 lbs. (3 kgs.)

Lamp Type	Wattage
Pulse Start Metal Halide (MP)	50, 70, 100W
High Pressure Sodium (HP)	35, 50, 70W
Compact Fluorescent (CF)	13, 26, (2) 26W

Voltage Chart	
MT=Multi-Tap	120/208/240/277V (wired 277V)
TT=Triple-Tap	120/277/347V (wired 347V)
E=Electronic (CF only)	120/277V

# COOPER LIGHTING - LUMARK



## MP MICRO-PAK

**35-100W**  
High Pressure Sodium  
Pulse Start Metal Halide

**13-36W**  
Compact Fluorescent

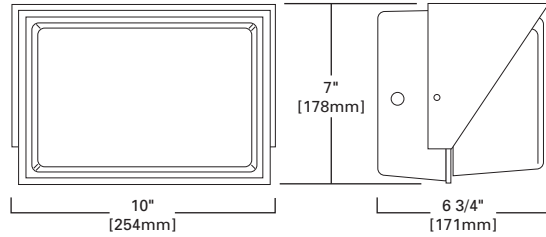
COMPACT WALL MOUNT  
LUMINAIRE

- U.L. listed wet locations. CSA certified
- Die-cast aluminum housing finished in architectural dark bronze polyester powder coat
- Precision aluminum reflector / visor system directs light down and out, eliminating glare and wasted light
- Optical system is sealed with foam-in-place silicone gasketing
- Can be mounted to any vertical surface. 1/2" knockouts on side of housing accommodate surface-mounted conduit, or back plate can be mounted to 4" octagonal J-box
- Injection-molded polycarbonate refractor is available in white or clear prismatic
- Approximate net weight: 7 lbs. (3 kgs.)

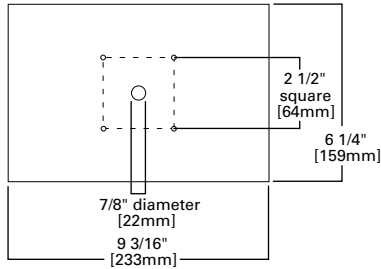
### DESCRIPTION

The Lumark Micro-Pak features premium die-cast aluminum construction for durability and precision-designed optics to throw light down and out and eliminate glare and wasted light.

### DIMENSIONS

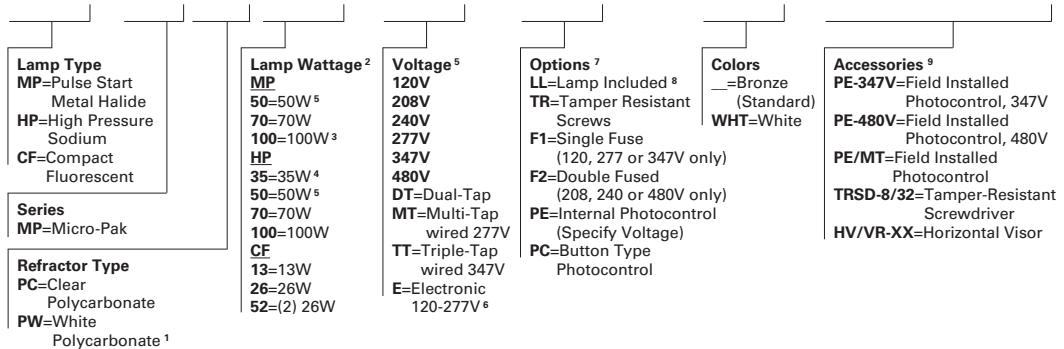


### MOUNTING DETAIL



### ORDERING INFORMATION

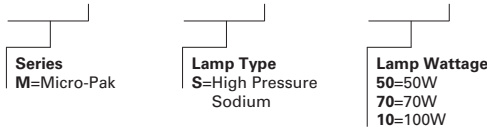
SAMPLE NUMBER: MPMP-PC-50-120V-LL



**NOTES:** 1 70W maximum. 2 All HID lamps are medium-base. 3 120V only. 4 Not available in 480V. 5 Products also available in non-US voltages and 50Hz for international markets. 6 Electronic ballast available on 26 and 52W CF units. In cold temperature, compact fluorescent lamps produce lower illumination levels. 7 Add as suffix in the order shown. 8 Lamp is shipped separate from luminaire. Lamp is Cooper designated product based on luminaire requirements. Specified lamps must be ordered as a separate line item. 9 Order separately. 10 Specifications and dimensions subject to change without notice.

### STOCK SAMPLE NUMBER (Lamp Included: High Pressure Sodium)

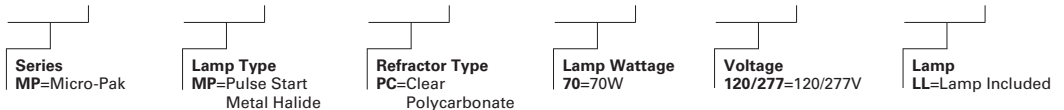
SAMPLE NUMBER: MS10



**NOTES:** Options not available with stock products. Order accessories as separate item for field installation. Refer to standard ordering information to add options and accessories. Refer to In-Stock Guide for availability.

### STOCK SAMPLE NUMBER (Lamp Included: Pulse Start Metal Halide)

SAMPLE NUMBER: MPMP-PC-70-120/277-LL



**NOTES:** Options not available with stock products. Order accessories as separate item for field installation. Refer to standard ordering information to add options and accessories. Refer to In-Stock Guide for availability.

Lamp Type	Wattage	Voltage Chart
Pulse Start Metal Halide (MP)	50, 70, 100W	MT=Multi-Tap 120/208/240/277V (wired 277V)
High Pressure Sodium (HP)	35, 50, 70W	TT=Triple-Tap 120/277/347V (wired 347V)
Compact Fluorescent (CF)	13, 26, (2) 26W	E=Electronic (CF only) 120/277V

## DESCRIPTION

Lumark's Cutoff Wally is a cutoff classified wall luminaire. Combining compact, aerodynamic styling with higher wattage performance, it is ideal for areas where spill light and glare control must be managed effectively.



## SPECIFICATION FEATURES

- U.L. listed for wet locations
- Die-cast aluminum housing finished standard bronze polyester powder coat
- HID: 4Kv medium-base socket. CFL: Gx24q-4 (4-pin)
- HID: Medium-base lamp included and available in 150W High Pressure Sodium or 100W Pulse Start Metal Halide. CFL: Supplied with 4-pin, 42W Compact Fluorescent lamp
- Special one-piece door design held in place with slot-head captive screws, provides low-glare cutoff lighting. Silicone gasketing seals out dirt and contaminants
- Patterned tempered glass lens minimizes direct lamp imaging
- Ships completely prewired and preassembled. Easily mounts to J-box, wall for quick installation
- Approximate net weight: 7-11 lbs. (3-5 kgs.)

## ORDERING INFORMATION (LAMP INCLUDED)

Catalog Number	Lamp Type	Lamp Wattage	Ballast Type	Voltage	Color
<b>High Pressure Sodium</b>					
LS50C	ED17	50	Reactor/NPF	120V	Bronze
LS70C	ED17	70	Reactor/NPF	120V	Bronze
LS10C	ED17	100	Reactor/NPF	120V	Bronze
LS15C	ED17	150	Reactor/NPF	120V	Bronze
<b>Pulse Start Metal Halide</b>					
LP70C	ED17	70	Hi. Reac/NPF	120V/277V	Bronze
LP10C	ED17	100	Hi. Reac/NPF	120V/277V	Bronze
<b>Compact Fluorescent</b>					
LC42C	Gx24q-4 (4-pin)	42	Electronic	120V/277V	Bronze

**NOTE:** Add "W" to the end of catalog number for white finish. Add "WHT" to the end of accessory for white finish (Example: WY/CO-WHT). Not available in 42W Compact Fluorescent. In cold temperatures, Compact Fluorescent lamps produce lower illumination levels.

**Accessories** (order separately)

**WY/CO**=Cutoff Replacement Door (Bronze). Not available in 42W Compact Fluorescent.

**WY/FC/CO**=Full Cutoff Visor for Cutoff (Bronze)



## WALLY CUTOFF

**50-150W**  
High Pressure Sodium  
Pulse Start Metal Halide

**42W**  
Compact Fluorescent

WALL MOUNT  
LUMINAIRE

## DESCRIPTION

The Lumark Wally Glass combines contemporary styling and optimum performance. A variety of mounting options add to the versatility of this compact fixture.

## SPECIFICATION FEATURES

- U.L. listed for wet locations. CSA certified
- Die-cast aluminum housing finished in a durable bronze polyester powder coat finish
- HID: 4Kv medium-base socket. CFL: Gx24q-4 (4-pin)
- HID: Medium-base lamp included and available in 150W High Pressure Sodium or 100W Pulse Start Metal Halide. Supplied with 4-pin, 42W Compact Fluorescent lamp
- Special one-piece hinged door design held in place with slot-head captive screws. Silicone gasketing seals out dirt and contaminants
- Borosilicate glass lens or polycarbonate lens minimizes direct lamp imaging
- Ships completely prewired and preassembled. Easily mounts to J-box, wall for quick installation
- Approximate net weight: 7-11 lbs. (3-5 kgs.)

## ORDERING INFORMATION (LAMP INCLUDED)

Catalog Number	Lamp Type	Lamp Wattage	Ballast Type	Voltage	Color
<b>High Pressure Sodium</b>					
LS50G	ED17	50	Reactor/NPF	120V	Bronze
LS70G	ED17	70	Reactor/NPF	120V	Bronze
LS10G	ED17	100	Reactor/NPF	120V	Bronze
LS15G	ED17	150	Reactor/NPF	120V	Bronze
<b>Pulse Start Metal Halide</b>					
LP70G	ED17	70	Hi. Reac/NPF	120V/277V	Bronze
LP10G	ED17	100	Hi. Reac/NPF	120V/277V	Bronze
<b>Compact Fluorescent</b>					
LC42	Gx24q-4 (4-pin)	42	Electronic	120V/277V	Bronze

**NOTE:** Add "W" to the end of catalog number for white finish for Pulse Start Metal Halide or High Pressure Sodium models only. Add "WHT" to the end of accessory for white finish (Example: WY/WG-WHT). In cold temperatures, Compact Fluorescent lamps produce lower illumination levels.

**Accessories** (order separately)

**WY/WG**=Glass Wire Guard

**WY/GS**=Glass Door Replacement (Bronze)

**WY/FC/GS**=Full Cutoff Visor for Glass (Bronze)

**WY/PC**=Polycarbonate replacement lens. Not for use with WY/WG and WY/FC.



## WALLY

**50-150W**  
High Pressure Sodium  
Pulse Start Metal Halide

**42W**  
Compact Fluorescent

WALL MOUNT  
LUMINAIRE

# COOPER LIGHTING - LUMARK



## Z-PAK CUTOFF

**150-175W**  
High Pressure Sodium  
Pulse Start Metal Halide  
Metal Halide

**84W**  
Compact Fluorescent

CUTOFF WALL MOUNT  
LUMINAIRE

### DESCRIPTION

Lumark's cutoff Z-Pack is a low angle / low glare classified wall luminaire. Combining compact, aerodynamic styling with higher wattage performance, it is ideal for areas where spill light and glare control must be managed effectively.

### SPECIFICATION FEATURES

- U.L. listed for wet locations. CSA certified
- Die-cast aluminum housing finished in a standard bronze polyester powder coat finish
- HID: 4Kv medium-base socket. CFL: Gx24q-4 (4-pin)
- HID: Medium-base lamp included and available in 150W High Pressure Sodium, 150W Pulse Start Metal Halide or 175W Metal Halide (*International Use Only*). CFL: (2) 42W CF lamps included
- Mounts to J-box or can be surface mounted through tapped openings
- Special one-piece door design provides low-glare cutoff lighting. Silicone gasketing seals out dirt and contaminants. Ships completely prewired and preassembled. Easily mounts to J-box, wall for quick installation
- Patterned tempered glass lens minimizes direct lamp imaging. Lens assembly is hinged on the side for easy relamping and maintenance
- Approximate net weight: 11-18 lbs. (5-8 kgs.)

### ORDERING INFORMATION (LAMP INCLUDED)

Catalog Number	Lamp Type	Lamp Wattage	Ballast Type	Voltage	Color
<b>High Pressure Sodium</b>					
HPFZ15C	B17	150	Reactor/NPF	120V	Bronze
<b>Pulse Start Metal Halide</b>					
MPFZ15C	ED17	150	CWA	Multi-Tap	Bronze
<b>Metal Halide (International Use Only)</b>					
MHFZ17C	ED28	175	CWA	Multi-Tap	Bronze
<b>Compact Fluorescent</b>					
CFFZ84C	GX24q-4	84 (2-42W)	Electronic	120-277V	Bronze

**NOTE:** Add "W" to the end of catalog number for white finish. Not available in 84W Compact Fluorescent. In cold temperatures, Compact Fluorescent lamps produce lower illumination levels.

**Accessories** (order separately)

FZ/CO=Cutoff Door Replacement (Bronze)

FZ/FC/CO=Full Cutoff Visor for Cutoff (Bronze)

FZ/VS/CO=Vandal Shield for Cutoff (Bronze)

**NOTE:** Add "WHT" to the end of accessory for white finish (Example: FZ/CO-WHT).



## Z-PAK

**150-175W**  
High Pressure Sodium  
Pulse Start Metal Halide  
Metal Halide

**84W**  
Compact Fluorescent

CUTOFF WALL MOUNT  
LUMINAIRE

### DESCRIPTION

The Lumark Z-Pak provides a durable and efficient exterior light source for any application requiring maximum performance and minimum maintenance. The rugged, die-cast aluminum housing, stainless steel hardware and sealed and gasketed optics compartment combine to make the Z-Pak virtually impenetrable to contaminant's.

### SPECIFICATION FEATURES

- U.L. listed for wet locations. CSA certified
- Die-cast aluminum housing finished in a durable bronze polyester powder coat
- HID: 4Kv medium-base socket. CFL: Gx24q-4 (4-pin)
- HID: Medium-base lamp included and available in 150W High Pressure Sodium, 150W Pulse Start Metal Halide or 175W Metal Halide (*International Use Only*). CFL: (2) 42W CF lamps included
- One-piece die-cast door assembly is hinged on the side for easy relamping and maintenance. A silicone gasket seals out dirt and contaminants
- Impact-resistant borosilicate glass refractor
- Mounts to J-box or can be surface mounted through tapped openings
- Approximate net weight: 11-18 lbs. (5-8 kgs.)

### ORDERING INFORMATION (LAMP INCLUDED)

Catalog Number	Lamp Type	Lamp Wattage	Ballast Type	Voltage	Color
<b>High Pressure Sodium</b>					
HPFZ15	B17	150	Reactor/NPF	120V	Bronze
<b>Pulse Start Metal Halide</b>					
MPFZ15	ED17	150	CWA	Multi-Tap	Bronze
<b>Metal Halide (International Use Only)</b>					
MHFZ17	ED28	175	CWA	Multi-Tap	Bronze
<b>Compact Fluorescent</b>					
CFFZ84	Gx24q-4	84 (2-42W)	Electronic	120-277V	Bronze

**NOTE:** Add "W" to the end of catalog number for white finish. Not available in 84W Compact Fluorescent. In cold temperatures, Compact Fluorescent lamps produce lower illumination levels.

**Accessories** (order separately)

FZ/WG=Wire Guard

FZ/GS=Glass Door Replacement (Bronze)

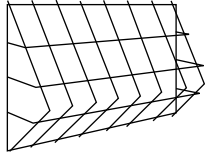
FZ/FC/GS=Full Cutoff Visor for Glass (Bronze)

FZ/VS/GS=Vandal Shield for Glass (Bronze)

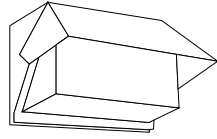
**NOTE:** Add "WHT" to the end of accessory for white finish (Example: FZ/WG-WHT).

## WALL-MOUNTED ACCESSORIES

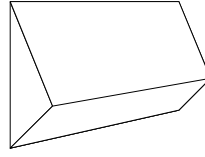
---



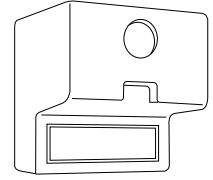
**WG/WL**  
Wire Guard for Wal-Pak  
(Not compatible with PCS)



**VS/WL**  
For Wal-Pak  
Visor Cutoff Shield



**PCS**  
Polycarbonate Shield  
(Not Compatible with WG/WL)



**UB**  
Universal Mounting Bracket

---

# COOPER LIGHTING - LUMARK



## ETERNALUME AREA LIGHT

### 70-150W

High Pressure Sodium  
Pulse Start Metal Halide

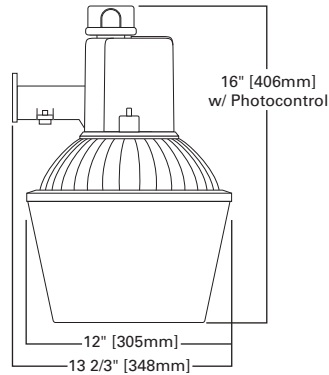
LOW WATTAGE  
SECURITY LUMINAIRE

- UL Wet Location Listed. CSA Certified
- NEMA twistlock style photocontrol for automatic dusk-to-dawn operation
- Precision die-cut aluminum housing with natural finish
- Reactor, NPF Core and coil ballast for durable operation
- Can be pole or wall mounted. 1 5/8" O.D. slipfitter hardware included
- HP: 120/60Hz, Reactor, NPF core and coil magnetic ballast. MP: 120/60Hz, High reactance (Hx) NPF core and coil magnetic ballast
- Porcelain mogul- or medium-base screw shell socket with spring loaded center contact HP: Mogul-base. MP: Medium-base (protected)
- Fluted, formed specular aluminum reflector fastens to main housing for secure fit
- 12" open bottom, acrylic refractor
- Pulse Start Metal Halide or High Pressure Sodium lamp included
- Approximate net weight: 11 lbs. (5 kgs.)

### DESCRIPTION

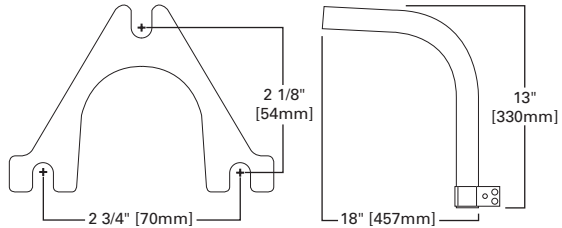
The Lumark Eternalume is ideal for perimeter area lighting, residential and commercial security lighting, residential streets, parking areas, and loading platforms.

### SPECIFICATION FEATURES



### DIRECT MOUNT

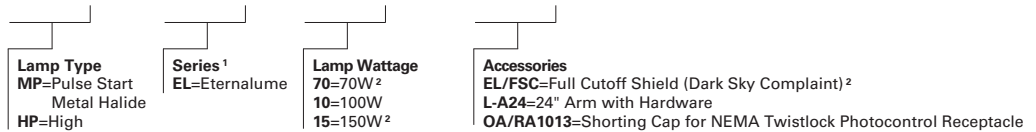
### 18" ARM



EPA-Effected Projected Area: 1.2

### ORDERING INFORMATION

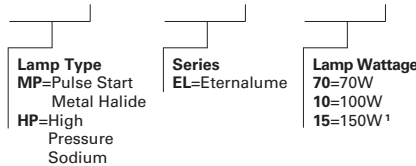
SAMPLE NUMBER: MPEL70



NOTES: 1 Includes 18" arm, lamp and 120V photocontrol. 2 HP only. 3 All products are 120V. 4 Specifications and dimensions subject to change without notice.

### STOCK SAMPLE NUMBER (LAMP INCLUDED)

SAMPLE NUMBER: MPEL10

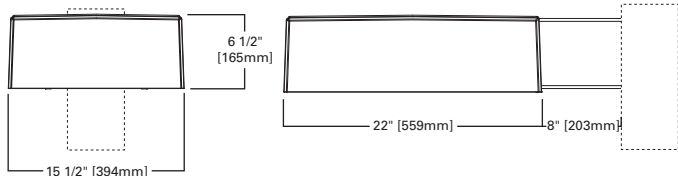


NOTES: 1 HP only. 2 All products are 120V. 3 Specifications and dimensions subject to change without notice. Options not available with stock products. Refer to standard ordering information to add options and accessories.

Lamp Type	Wattage
Metal Halide (MP)	70, 100W
High Pressure Sodium (HP)	70, 100, 150W

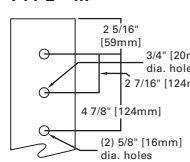


## DIMENSIONS

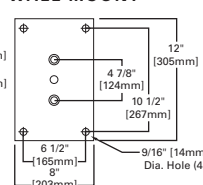


## DRILLING PATTERNS

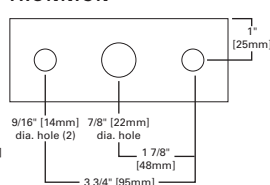
### TYPE "M"



### WALL MOUNT



### TRUNNION



## DESCRIPTION

The Lumark Tribute Series is the most versatile, functionally designed, universally adaptable outdoor luminaire available. The Tribute brings outstanding performance to walkways, parking lots, roadways, loading docks, building areas, and any security lighting application.



**DARK SKY COMPLIANT** **FCO Full Cutoff**

## TRIBUTE

**70-400W**

High Pressure Sodium  
Pulse Start Metal Halide  
Metal Halide

## AREA LUMINAIRE

EPA-Effected Projected Area: 1.19 (without arm)

For Pole Information Refer to Cooper Lighting Pole Section.

## ORDERING INFORMATION

SAMPLE NUMBER: MHTR-SL-400-MT-LL

Lamp Type	Series <sup>1</sup>	Distribution	Lamp Wattage <sup>2</sup>	Voltage <sup>5</sup>	Options & Accessories (See Below)
MP=Pulse Start Metal Halide MH=Metal Halide HP=High Pressure Sodium	TR=Tribute	2F=Type II Formed 2S=Type II Segmented 3F=Type III Formed 3S=Type III Segmented 4F=Type IV Formed 4S=Type IV Segmented 5F=Type V Formed 5S=Type V Segmented SL=Spill Light Eliminator	MP=70W MH=175W 100=100W 250=250W 150=150W 400=400W 200=200W HP=70W 250=250W 100=100W 350=350W 150=150W 400=400W 250=250W 400=400W	120V 208V 240V 277V 347V <sup>6</sup> 480V MT=Multi-Tap wired 277V TT=Triple-Tap wired 347V <sup>6</sup> 5T=5-Tap wired 480V <sup>5</sup>	

### Options<sup>7,8</sup>

F1=Single Fuse (120, 277 or 347V only)<sup>9</sup>  
F2=Double Fuse (208, 240 or 480V only)<sup>9</sup>  
Q=Quartz Restrike (Hot strike only)<sup>10</sup>  
LL=Lamp Included  
EM=Quartz Restrike with "Delay Relay" (Quartz lamps strikes at both hot and cold starts)<sup>10</sup>  
EM/SC=Emergency Separate Circuit<sup>10</sup>  
LL=Lamp Included  
S=1 1/4"-2 3/8" Internal Mast Arm Mount  
TM=Trunnion Mount  
PT=Electrical Power Tray  
HS=House Side Cutoff<sup>11</sup>  
LA=Less Arm (Order Mounting Separately)  
PER=NEMA Twistlock Photocontrol Receptacle  
PC=Button Type Photocontrol  
WH=White  
BK=Black  
AP=Grey  
DP=Dark Platinum  
GM=Graphite Metallic

### Accessories<sup>12</sup>

MA1201-XX=Direct Wall Mount Kit<sup>1</sup>  
MA1218-XX=Direct Mount for Pole<sup>1</sup>  
MA1219-XX=Wall Mount Plate  
OA1090-XX=Adjustable Slipfitter Arm for Tenon Mount 2 3/8" O.D.<sup>1</sup>  
MA1221-XX=External House Side Shield Kit [EPA=0.38]  
MA1222=Internal House Side Shield Kit for 2S/3S  
MA1223=Internal House Side Shield Kit for 4S  
MA1224=Internal House Side Shield Kit for 2F/3F  
MA1225=Internal House Side Shield Kit for 4F  
MA1010-XX=Single Tenon Adapter for 3 1/2" O.D. Tenon  
MA1011-XX=2 @ 180° Tenon Adapter for 3 1/2" O.D. Tenon  
MA1012-XX=3 @ 120° Tenon Adapter for 3 1/2" O.D. Tenon  
MA1013-XX=4 @ 90° Tenon Adapter for 3 1/2" O.D. Tenon  
MA1014-XX=2 @ 90° Tenon Adapter for 3 1/2" O.D. Tenon  
MA1015-XX=2 @ 120° Tenon Adapter for 3 1/2" O.D. Tenon  
MA1016-XX=3 @ 90° Tenon Adapter for 3 1/2" O.D. Tenon  
MA1017-XX=Single Tenon Adapter for 2 3/8" O.D. Tenon  
MA1018-XX=2 @ 180° Tenon Adapter for 2 3/8" O.D. Tenon  
MA1019-XX=3 @ 120° Tenon Adapter for 2 3/8" O.D. Tenon  
MA1045-XX=4 @ 90° Tenon Adapter for 2 3/8" O.D. Tenon  
MA1048-XX=2 @ 90° Tenon Adapter for 2 3/8" O.D. Tenon  
MA1049-XX=3 @ 90° Tenon Adapter for 2 3/8" O.D. Tenon  
OA/RA1016=Photoelectric Control 105-285V NEMA Type  
OA/RA1201=Photoelectric Control 347V NEMA Type  
OA/RA1027=Photoelectric Control 480V NEMA Type  
OA/RA1013=Shorting Cap  
TR/VS=Field Installed Vandal Shield<sup>13</sup>

NOTES: 1 1/8" arm and round pole adapter included with fixture. Specify Less Arm "LA" option when mounting accessory is ordered separately. 2 Standard with mogul-base socket for 150-400W and medium-base socket 100W and below. 3 175, 250 and 400W MH available for non-US markets only. 4 Requires reduced envelope lamp. 5 Products also available in non-US voltages for international markets. Consult factory for availability and ordering information. 6 88% efficient EISA compliant MP fixtures not available in 347V or Triple-tap. 7 Custom and RAL color matching available upon request. Consult Cooper Lighting Representative for further information. 8 Add as suffix. 9 Must specify voltage. 10 Quartz options not available with SL optic. 11 House side shield not available on 5S, 5F or SL optics. 12 Order separately/replace with color specification. 13 Not available with SL optic or House Side Shield. 14 Specifications and dimensions subject to change without notice.

## STOCK SAMPLE NUMBER (LAMP INCLUDED)

SAMPLE NUMBER: MPTR2340

Lamp Type	Series <sup>1</sup>	Distribution	Lamp Wattage
MP=Pulse Start Metal Halide HP=High Pressure Sodium <sup>2</sup>	TR=Tribute	23=Type II/III Formed 4F=Type IV Formed <sup>3</sup>	15=150W 25=250W 32=320W 40=400W

NOTES: 1 Short logic fixtures are finished bronze include multi-tap ballast, lamp, arm and round pole adapter. Other options not available. Refer to standard ordering logic. 2 Available in 150, 250 and 400W. 3 Available in 320 and 400W MP & HP. Refer to In-Stock Guide for availability.

Lamp Type	Wattage
Pulse Start Metal Halide (MP)	70, 100, 150, 200, 250, 320, 350, 400W
Metal Halide (MH)	175, 250, 400W
High Pressure Sodium (HP)	70, 100, 150, 250, 400W

Voltage Chart	
DT=Dual-Tap	120/277V (wired 277V)
MT=Multi-Tap	120/208/240/277V (wired 277V)
TT=Triple-Tap	120/277/347V (wired 347V)
5T=5-Tap	120/208/277/347/480V (wired 480V)

- UL Wet Location Listed. CSA Certified. EISA Compliant
- Rugged one-piece die-cast aluminum housing and door
- One-piece silicone gasket protects the optical chamber from performance degrading contaminants
- One (1) stainless steel spring latch and two (2) stainless steel hinges allow toolless opening and removal of door frame
- Choice of nine high efficiency optical distributions (Formed, Segmented and Spill Light Eliminator)
- Optical modules are field rotatable in 90° increments
- Standard with mogul-base lampholders for 150-400W assemblies or medium-base for 100W and below
- Optional swing-down power tray with integral handle and quick-disconnect
- Optional internal mast arm mount accepts 1 1/4" to 2 3/8" O.D. horizontal tenon, while a 4-bolt clamping mechanism secures fixture
- Approximate net weight: 39 lbs. (17.73 kgs.)

# COOPER LIGHTING - LUMARK



## PFT TRIBUTE AND POLE COMBO (SINGLE)

**150-400W**  
High Pressure Sodium  
Pulse Start Metal Halide

**15'-30'**  
Square Straight Steel Pole

### POLE AND FIXTURE COMBO

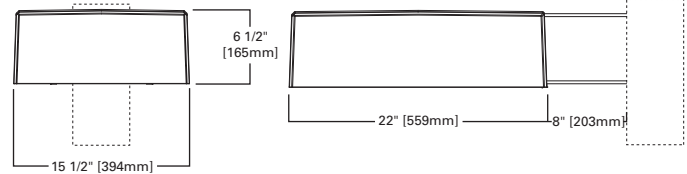
- UL Wet Location Listed. CSA Certified. EISA Compliant
- Rugged one-piece die-cast aluminum housing and door
- One-piece silicone gasket protects the optical chamber from performance degrading contaminants
- One (1) stainless steel spring latch and two (2) stainless steel hinges allow toolless opening and removal of door frame
- Optical modules are field rotatable in 90° increments
- Standard with mogul-base lampholders
- Includes 8" arm complete with lamp, square straight steel pole and necessary anchorage
- Available in dual configuration
- Approximate net weight: 39 lbs. (17.73 kgs.)

### DESCRIPTION

The Lumark Tribute Pole/Fixture Combo is an all inclusive package that allows for easy selection and installation of poles and fixtures. Each combo includes a, die-cast Tribute area luminaire, 8" arm, lamp, square straight steel pole and necessary anchorage. Available in single or dual fixture combinations.

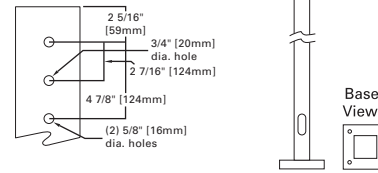


### DIMENSIONS



### DRILLING PATTERN

#### TYPE "M"



EPA-Effected Projected Area: 1.62

### ORDERING INFORMATION (LAMP INCLUDED)

SAMPLE NUMBER: PFT11523M15

Series	No. of Fixtures	Lamp Wattage	Distribution	Lamp Type <sup>1</sup> (Included) P=Pulse Start Metal Halide H=High Pressure Sodium	Pole Height (ft.)	Zone <sup>1</sup>	Options <sup>2</sup>
PFT=Tribute	1=1	15=150W 25=250W 32=320W 40=400W	23=Type II/III Formed 4F=Type IV Formed		15=15' 20=20' 25=25' 30=30'	9=90 mph 0=100 mph	N/AB=No Anchor Bolts (Used when ordered separately)

NOTES: 1 8" arm and lamp included with fixture. 2 N/AB models available by specifying N/AB (Example: PFT11523P15N/AB). 3 Supplied with multi-tap ballast 120/208/240/277V (wired 277V) with square straight steel shaft, anchor bolts, template, base cover and hardware.

Lamp Source/Number of Fixtures	Pole Height	Wattage	Distribution	80 MPH	90 MPH <sup>1</sup>	100 MPH <sup>1</sup>
--------------------------------	-------------	---------	--------------	--------	---------------------	----------------------

#### PULSE START METAL HALIDE

Single Fixture	15' Pole	150W MP	Type II/III	PFT11523P15 <sup>2</sup>	PFT11523P15 <sup>2</sup>	PFT11523P15 <sup>2</sup>	
			Type IV	PFT1154FP15 <sup>2</sup>	PFT1154FP15 <sup>2</sup>	PFT1154FP15 <sup>2</sup>	
		20' Pole	250W MP	Type II/III	PFT12523P20 <sup>2</sup>	PFT12523P20 <sup>2</sup>	PFT12523P20 <sup>2</sup>
				Type IV	PFT1254FP20 <sup>2</sup>	PFT1254FP20 <sup>2</sup>	PFT1254FP20 <sup>2</sup>
	25' Pole	320W MP	Type II/III	PFT13223P20 <sup>2</sup>	PFT13223P20 <sup>2</sup>	PFT13223P20 <sup>2</sup>	
			Type IV	PFT1324FP20 <sup>2</sup>	PFT1324FP20 <sup>2</sup>	PFT1324FP20 <sup>2</sup>	
		400W MP	Type II/III	PFT14023P20 <sup>2</sup>	PFT14023P20 <sup>2</sup>	PFT14023P20 <sup>2</sup>	
			Type IV	PFT1404FP20 <sup>2</sup>	PFT1404FP20 <sup>2</sup>	PFT1404FP20 <sup>2</sup>	
	30' Pole	250W MP	Type II/III	PFT12523P25 <sup>2</sup>	PFT12523P25 <sup>2</sup>	PFT12523P25 <sup>2</sup>	
			Type IV	PFT1254FP25 <sup>2</sup>	PFT1254FP25 <sup>2</sup>	PFT1254FP25 <sup>2</sup>	
		320W MP	Type II/III	PFT13223P25 <sup>2</sup>	PFT13223P25 <sup>2</sup>	PFT13223P25 <sup>2</sup>	
			Type IV	PFT1324FP25 <sup>2</sup>	PFT1324FP25 <sup>2</sup>	PFT1324FP25 <sup>2</sup>	
400W MP	Type II/III	PFT14023P25 <sup>2</sup>	PFT14023P25 <sup>2</sup>	PFT14023P25 <sup>2</sup>			
	Type IV	PFT1404FP25 <sup>2</sup>	PFT1404FP25 <sup>2</sup>	PFT1404FP25 <sup>2</sup>			
	250W MP	Type II/III	PFT12523P30 <sup>3</sup>	PFT12523P30 <sup>3</sup>	PFT12523P300 <sup>4</sup>		
		Type IV	PFT1254FP30 <sup>3</sup>	PFT1254FP30 <sup>3</sup>	PFT1254FP300 <sup>4</sup>		
320W MP	Type II/III	PFT13223P30 <sup>3</sup>	PFT13223P30 <sup>3</sup>	PFT13223P300 <sup>4</sup>			
	Type IV	PFT1324FP30 <sup>3</sup>	PFT1324FP30 <sup>3</sup>	PFT1324FP300 <sup>4</sup>			
	400W MP	Type II/III	PFT14023P30 <sup>3</sup>	PFT14023P30 <sup>3</sup>	PFT14023P300 <sup>4</sup>		
		Type IV	PFT1404FP30 <sup>3</sup>	PFT1404FP30 <sup>3</sup>	PFT1404FP300 <sup>4</sup>		

#### HIGH PRESSURE SODIUM

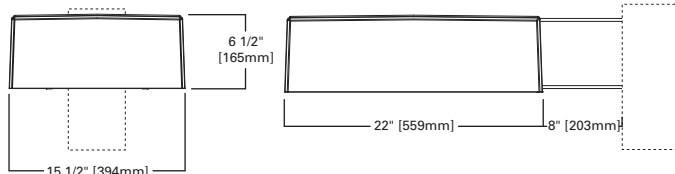
Single Fixture	15' Pole	150W HP	Type II/III	PFT11523H15 <sup>2</sup>	PFT11523H15 <sup>2</sup>	PFT11523H15 <sup>2</sup>
			Type IV	PFT1154FH15 <sup>2</sup>	PFT1154FH15 <sup>2</sup>	PFT1154FH15 <sup>2</sup>
	20' Pole	250W HP	Type II/III	PFT12523H20 <sup>2</sup>	PFT12523H20 <sup>2</sup>	PFT12523H20 <sup>2</sup>
			Type IV	PFT1254FH20 <sup>2</sup>	PFT1254FH20 <sup>2</sup>	PFT1254FH20 <sup>2</sup>
		400W HP	Type II/III	PFT14023H20 <sup>2</sup>	PFT14023H20 <sup>2</sup>	PFT14023H20 <sup>2</sup>
			Type IV	PFT1404FH20 <sup>2</sup>	PFT1404FH20 <sup>2</sup>	PFT1404FH20 <sup>2</sup>
	25' Pole	250W HP	Type II/III	PFT12523H25 <sup>2</sup>	PFT12523H25 <sup>2</sup>	PFT12523H25 <sup>2</sup>
			Type IV	PFT1254FH25 <sup>2</sup>	PFT1254FH25 <sup>2</sup>	PFT1254FH25 <sup>2</sup>
		400W HP	Type II/III	PFT14023H25 <sup>2</sup>	PFT14023H25 <sup>2</sup>	PFT14023H25 <sup>2</sup>
			Type IV	PFT1404FH25 <sup>2</sup>	PFT1404FH25 <sup>2</sup>	PFT1404FH25 <sup>2</sup>
	30' Pole	250W HP	Type II/III	PFT12523H30 <sup>3</sup>	PFT12523H30 <sup>3</sup>	PFT12523H300 <sup>4</sup>
			Type IV	PFT1254FH30 <sup>3</sup>	PFT1254FH30 <sup>3</sup>	PFT1254FH300 <sup>4</sup>
400W HP		Type II/III	PFT14023H30 <sup>3</sup>	PFT14023H30 <sup>3</sup>	PFT14023H300 <sup>4</sup>	
		Type IV	PFT1404FH30 <sup>3</sup>	PFT1404FH30 <sup>3</sup>	PFT1404FH300 <sup>4</sup>	

NOTES: 1 0 or 9 are noted where needed to designate a heavier gauge pole. 2 Supplied with 4A Square Straight Steel shaft (SSS), anchor bolts (AB1), template (TMP1) and base cover. 15' combo SSS4A15SFM4, 20' combo SSS4A20SFM4 and 25' combo SSS4A25SFM4. 3 Supplied with 5A Square Straight Steel shaft (SSS), anchor bolts (AB1), template (TMP1) and base cover. 25' combo SSS5A25SFM4 and 30' combo SSS5A30SFM4. 4 Supplied with 5M Square Straight Steel shaft (SSS), anchor bolts (AB1), template (TMP1) and base cover. 30' combo SSS5M30SFM4. 5 Supplied with 6M Square Straight Steel shaft (SSS), anchor bolts (AB3), template (TMP2) and base cover. 30' combo SSS6M30SFM4.

Lamp Type	Wattage
Pulse Start Metal Halide (P)	150, 250, 320, 400W
High Pressure Sodium (H)	150, 250, 400W

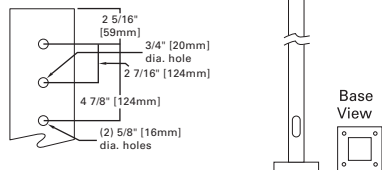
# COOPER LIGHTING - LUMARK

## DIMENSIONS



## DRILLING PATTERN

### TYPE "M"



## DESCRIPTION

The Lumark Tribute Pole/Fixture Combo is an all inclusive package that allows for easy selection and installation of poles and fixtures. Each combo includes a, die-cast Tribute area luminaire, 8" arm, lamp, square straight steel pole and necessary anchorage. Available in single or dual fixture combinations.



## PFT TRIBUTE AND POLE COMBO (DUAL)

**150-400W**

High Pressure Sodium Pulse Start Metal Halide

**15'-30'**

Square Straight Steel Pole

POLE AND FIXTURE COMBO

EPA-Effected Projected Area: 3.24

## ORDERING INFORMATION (LAMP INCLUDED)

SAMPLE NUMBER: PFT21523M15

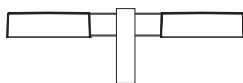
Series	No. of Fixtures	Lamp Wattage	Distribution	Lamp Type <sup>1</sup> (Included)	Pole Height (ft.)	Zone <sup>1</sup>	Options <sup>2</sup>
PFT=Tribute	2=2	15=150W 25=250W 32=320W 40=400W	23=Type II/III Formed 4F=Type IV Formed	P=Pulse Start Metal Halide H=High Pressure Sodium	15=15' 20=20' 25=25' 30=30'	9=90 mph 0=100 mph	N/AB=No Anchor Bolts (Used when ordered separately)

NOTES: 1 8" arm and lamp included with fixture. 2 N/AB models available by specifying N/AB (Example: PFT21523P15N/AB). 3 Supplied with multi-tap ballast 120/208/240/277V (wired 277V) with square straight steel shaft, anchor bolts, template, base cover and hardware.

Lamp Source/Number of Fixtures	Pole Height	Wattage	Distribution	80 MPH	90 MPH <sup>1</sup>	100 MPH <sup>1</sup>
--------------------------------	-------------	---------	--------------	--------	---------------------	----------------------

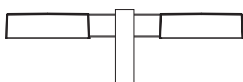
### PULSE START METAL HALIDE

Dual Fixture	15' Pole	150W MP	Type II/III	PFT21523P15 <sup>2</sup>	PFT21523P15 <sup>2</sup>	PFT21523P15 <sup>2</sup>
			Type IV	PFT2154FP15 <sup>2</sup>	PFT2154FP15 <sup>2</sup>	PFT2154FP15 <sup>2</sup>
	20' Pole	250W MP	Type II/III	PFT22523P20 <sup>2</sup>	PFT22523P20 <sup>2</sup>	PFT22523P20 <sup>2</sup>
			Type IV	PFT2254FP20 <sup>2</sup>	PFT2254FP20 <sup>2</sup>	PFT2254FP20 <sup>2</sup>
		320W MP	Type II/III	PFT23223P20 <sup>2</sup>	PFT23223P20 <sup>2</sup>	PFT23223P20 <sup>2</sup>
			Type IV	PFT2324FP20 <sup>2</sup>	PFT2324FP20 <sup>2</sup>	PFT2324FP20 <sup>2</sup>
	25' Pole	400W MP	Type II/III	PFT24023P20 <sup>2</sup>	PFT24023P20 <sup>2</sup>	PFT24023P20 <sup>2</sup>
			Type IV	PFT2404FP20 <sup>2</sup>	PFT2404FP20 <sup>2</sup>	PFT2404FP20 <sup>2</sup>
		250W MP	Type II/III	PFT22523P25 <sup>2</sup>	PFT22523P25 <sup>2</sup>	PFT22523P250 <sup>3</sup>
			Type IV	PFT2254FP25 <sup>2</sup>	PFT2254FP25 <sup>2</sup>	PFT2254FP250 <sup>3</sup>
	30' Pole	320W MP	Type II/III	PFT23223P25 <sup>2</sup>	PFT23223P25 <sup>2</sup>	PFT23223P250 <sup>3</sup>
			Type IV	PFT2324FP25 <sup>2</sup>	PFT2324FP25 <sup>2</sup>	PFT2324FP250 <sup>3</sup>
400W MP		Type II/III	PFT24023P25 <sup>2</sup>	PFT24023P25 <sup>2</sup>	PFT24023P250 <sup>3</sup>	
		Type IV	PFT2404FP25 <sup>2</sup>	PFT2404FP25 <sup>2</sup>	PFT2404FP250 <sup>3</sup>	
30' Pole	250W MP	Type II/III	PFT22523P30 <sup>3</sup>	PFT22523P309 <sup>4</sup>	PFT22523P300 <sup>5</sup>	
		Type IV	PFT2254FP30 <sup>3</sup>	PFT2254FP309 <sup>4</sup>	PFT2254FP300 <sup>5</sup>	
	320W MP	Type II/III	PFT23223P30 <sup>3</sup>	PFT23223P309 <sup>4</sup>	PFT23223P300 <sup>5</sup>	
		Type IV	PFT2324FP30 <sup>3</sup>	PFT2324FP309 <sup>4</sup>	PFT2324FP300 <sup>5</sup>	
30' Pole	400W MP	Type II/III	PFT24023P30 <sup>3</sup>	PFT24023P309 <sup>4</sup>	PFT24023P300 <sup>5</sup>	
		Type IV	PFT2404FP30 <sup>3</sup>	PFT2404FP309 <sup>4</sup>	PFT2404FP300 <sup>5</sup>	



### HIGH PRESSURE SODIUM

Dual Fixture	15' Pole	150W HP	Type II/III	PFT21523H15 <sup>2</sup>	PFT21523H15 <sup>2</sup>	PFT21523H15 <sup>2</sup>
			Type IV	PFT2154FH15 <sup>2</sup>	PFT2154FH15 <sup>2</sup>	PFT2154FH15 <sup>2</sup>
	20' Pole	250W HP	Type II/III	PFT22523H20 <sup>2</sup>	PFT22523H20 <sup>2</sup>	PFT22523H20 <sup>2</sup>
			Type IV	PFT2254FH20 <sup>2</sup>	PFT2254FH20 <sup>2</sup>	PFT2254FH20 <sup>2</sup>
		400W HP	Type II/III	PFT24023H20 <sup>2</sup>	PFT24023H20 <sup>2</sup>	PFT24023H20 <sup>2</sup>
			Type IV	PFT2404FH20 <sup>2</sup>	PFT2404FH20 <sup>2</sup>	PFT2404FH20 <sup>2</sup>
	25' Pole	250W HP	Type II/III	PFT22523H25 <sup>2</sup>	PFT22523H25 <sup>2</sup>	PFT22523H250 <sup>3</sup>
			Type IV	PFT2254FH25 <sup>2</sup>	PFT2254FH25 <sup>2</sup>	PFT2254FH250 <sup>3</sup>
		400W HP	Type II/III	PFT24023H25 <sup>2</sup>	PFT24023H25 <sup>2</sup>	PFT24023H250 <sup>3</sup>
			Type IV	PFT2404FH25 <sup>2</sup>	PFT2404FH25 <sup>2</sup>	PFT2404FH250 <sup>3</sup>
	30' Pole	250W HP	Type II/III	PFT22523H30 <sup>3</sup>	PFT22523H309 <sup>4</sup>	PFT22523H300 <sup>5</sup>
			Type IV	PFT2254FH30 <sup>3</sup>	PFT2254FH309 <sup>4</sup>	PFT2254FH300 <sup>5</sup>
400W HP		Type II/III	PFT24023H30 <sup>3</sup>	PFT24023H309 <sup>4</sup>	PFT24023H300 <sup>5</sup>	
		Type IV	PFT2404FH30 <sup>3</sup>	PFT2404FH309 <sup>4</sup>	PFT2404FH300 <sup>5</sup>	



NOTES: 1 0 or 9 are noted where needed to designate a heavier gauge pole. 2 Supplied with 4A Square Straight Steel shaft (SSS), anchor bolts (AB1), template (TMP1) and base cover. 15' combo SSS4A15SFM4, 20' combo SSS4A20SFM4 and 25' combo SSS4A25SFM4. 3 Supplied with 5A Square Straight Steel shaft (SSS), anchor bolts (AB1), template (TMP1) and base cover. 25' combo SSS5A25SFM4 and 30' combo SSS5A30SFM4. 4 Supplied with 5M Square Straight Steel shaft (SSS), anchor bolts (AB1), template (TMP1) and base cover. 30' combo SSS5M30SFM4. 5 Supplied with 6M Square Straight Steel shaft (SSS), anchor bolts (AB3), template (TMP2) and base cover. 30' combo SSS6M30SFM4.

Lamp Type	Wattage
Pulse Start Metal Halide (P)	150, 250, 320, 400W
High Pressure Sodium (H)	150, 250, 400W

- UL Wet Location Listed. CSA Certified. EISA Compliant
- Rugged one-piece die-cast aluminum housing and door
- One-piece silicone gasket protects the optical chamber from performance degrading contaminants
- One (1) stainless steel spring latch and two (2) stainless steel hinges allow toolless opening and removal of door frame
- Optical modules are field rotatable in 90° increments
- Standard with mogul-base lampholders
- Includes 8" arm complete with lamp, square straight steel pole and necessary anchorage
- Available in single configuration
- Approximate net weight: 39 lbs. (17.73 kgs.)

# E COOPER LIGHTING - LUMARK



## RY ROADWAY COBRAHEAD

### 50-400W

High Pressure Sodium  
Pulse Start Metal Halide  
Metal Halide

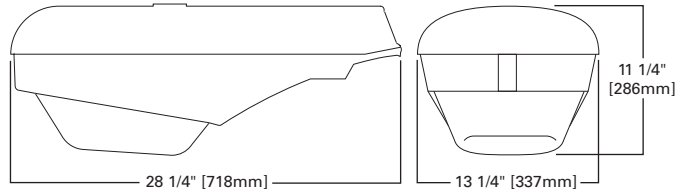
#### SITE/ROADWAY LIGHT

- UL Wet Location Listed. EISA Compliant
- Die-cast aluminum housing and integrally cast door hinge finished in durable grey polyester powder coat
- The reflector is precision hydroformed anodized aluminum with a Dacron polyester filter
- Die-cast aluminum door frame has two-position latch to ensure door stays fastened under extreme conditions
- Removable prismatic refractor for use with high pressure sodium and metal halide lamp sources
- Hard mounted ballast with encapsulated starter and plastic terminal block for protection from environmental abuse
- Two-bolt/one clamp slipfitter for 1 1/4" or 2" mounting arms
- Approximate net weight: 49 lbs. (22 kgs.)

#### DESCRIPTION

Roadway Cobrahead fixtures feature durable die-cast aluminum construction and a computer-designed optical system for sturdiness and optimum photometric control.

#### DIMENSIONS

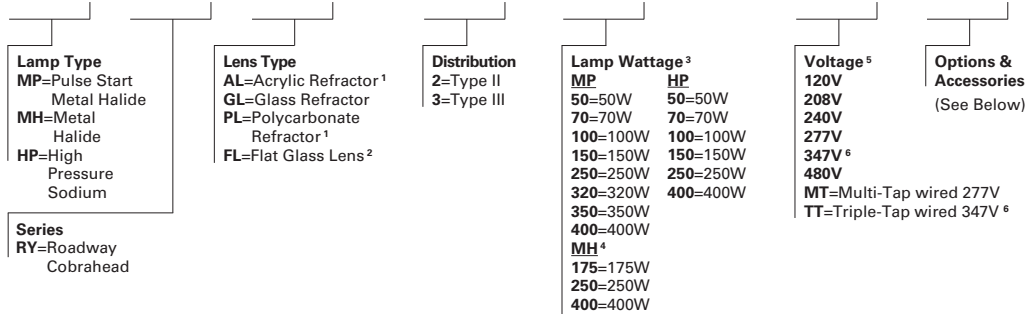


EPA-Effectuated Projected Area: .87

For Pole Information Refer to Cooper Lighting Pole Section.

#### ORDERING INFORMATION

SAMPLE NUMBER: HPRY-GL-3-400-MT-LL



#### Options<sup>7</sup>

F1=Single Fuse (120, 277 or 347V only)  
 F2=Double Fuse (208, 240 or 480V only)  
 LL=Lamp Included<sup>8</sup>  
 H=Plug-In Starter<sup>4</sup>  
 K=Leveling Indicator  
 T=Swing-Down Ballast  
 PER=NEMA Twistlock Photocontrol Receptacle  
 PC=Button Type Photocontrol

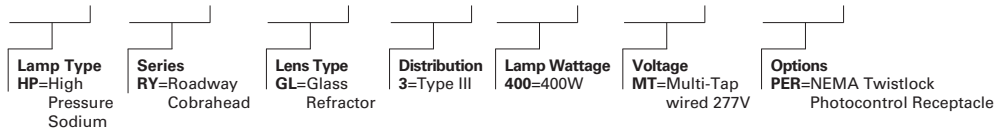
#### Accessories<sup>9</sup>

OA/RA1016=Photoelectric Control, 105-285 Volt NEMA Type  
 OA/RA1027=Photoelectric Control, 480 Volt NEMA Type  
 OA1028=Field-installed NEMA Twistlock Photocontrol Receptacle  
 (Order Photocontrol Separately)

**NOTES:** 1 Acrylic refractor for 175W maximum. Polycarbonate refractor for 250 maximum. 2 400W MH requires reduced envelop lamp (ED28) for flat glass. 3 100W and below MP is medium-base. All other lamps are mogul-base. Lamp not included. 4 175, 250 and 400W MH for non-US markets. 5 Products also available in non-US voltages and 50Hz for international markets. 6 88% efficient EISA compliant fixtures not available in 347V or Triple-tap voltages. 7 Add as suffix in the order shown. 8 Lamp is shipped separate from luminaire. Lamp is Cooper designated product based on luminaire requirements. Specified lamps must be ordered as a separate line item. 9 Order separately. 10 Specifications and dimensions subject to change without notice.

#### STOCK SAMPLE NUMBER

SAMPLE NUMBER: HPRY-GL-3-400-MT-PER



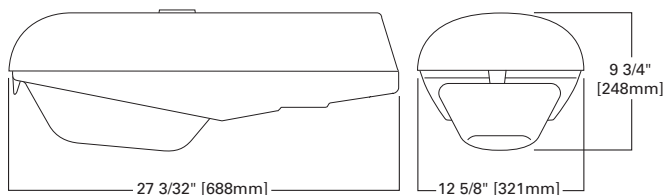
**NOTES:** Options not available with stock products. Order accessories as separate items for field installation. Refer to standard ordering information to add options and accessories. Refer to In-Stock Guide for availability.

Lamp Type	Wattage
Pulse Start Metal Halide (MP)	50, 70, 100, 150, 250, 320, 350, 400W
Metal Halide (MH)	175, 250, 400W
High Pressure Sodium (HP)	50, 70, 100, 150, 250, 400W

#### Voltage Chart

MT=Multi-Tap	120/208/240/277V (wired 277V)
TT=Triple-Tap	120/277/347V (wired 347V)

## DIMENSIONS



## DESCRIPTION

Roadway Cobrahead fixtures feature durable die-cast aluminum construction and a computer-designed optical system for sturdiness and optimum photometric control.



## RS ROADWAY SMALL COBRAHEAD

**50-250W**

High Pressure Sodium  
Pulse Start Metal Halide  
Metal Halide

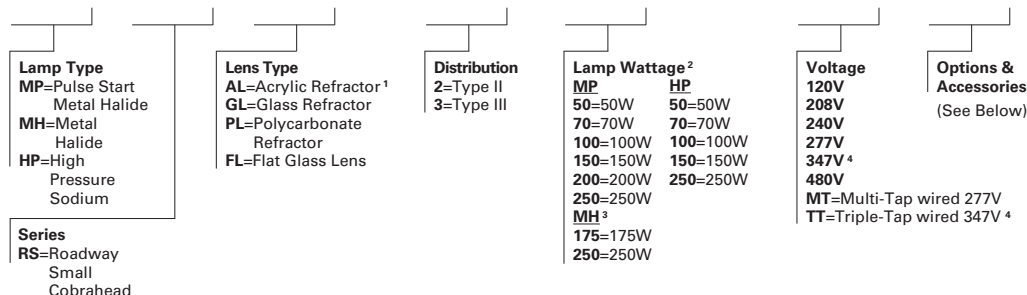
SITE/ROADWAY LIGHT

EPA-Effected Projected Area: .85

For Pole Information Refer to Cooper Lighting Pole Section.

## ORDERING INFORMATION

SAMPLE NUMBER: HPRS-GL-3-400-MT-LL



### Options<sup>5</sup>

F1=Single Fuse (120, 277 or 347V only)  
 F2=Double Fuse (208, 240 or 480V only)  
 LL=Lamp Included<sup>6</sup>  
 H=Plug-In Starter<sup>7</sup>  
 K=Leveling Indicator  
 T=Swing-Down Ballast  
 PER=NEMA Twistlock Photocontrol Receptacle  
 PC=Button Type Photocontrol

### Accessories<sup>8</sup>

OA/RA1016=Photoelectric Control, 105-285 Volt NEMA Type  
 OA/RA1201=Photoelectric Control, 347 Volt NEMA Type  
 OA/RA1027=Photoelectric Control, 480 Volt NEMA Type  
 OA1028=Field-installed Photocontrol Receptacle, NEMA Type  
 (Order Photocontrol Separately)

**NOTES:** 1 Acrylic refractor for 175W maximum. 2 100W and below MP is medium-base. All other lamps are mogul-base. Lamp not included. 3 175 and 250W MH for non-US markets only. 4 88% efficient EISA compliant fixtures not available in 347V or Triple-tap voltages. 5 Add as suffix in the order shown. 6 Lamp is shipped separate from luminaire. Lamp is Cooper designated product based on luminaire requirements. Specified lamps must be ordered as a separate line item. 7 HPS only. 8 Order separately. 9 Specifications and dimensions subject to change without notice.

- UL Wet Location Listed. EISA Compliant
- Die-cast aluminum housing and integrally cast door hinge finished in durable grey polyester powder coat
- The reflector is precision hydroformed anodized aluminum with a Dacron polyester filter
- Die-cast aluminum door frame has two-position latch to ensure door stays fastened under extreme conditions
- Removable prismatic refractor for use with high pressure sodium and metal halide lamp sources
- Hard mounted ballast with encapsulated starter and plastic terminal block for protection from environmental abuse
- Two-bolt/one clamp slipfitter for 1 1/4" or 2" mounting arms
- Approximate net weight: 31 lbs. (14 kgs.)

Lamp Type	Wattage
Pulse Start Metal Halide (MP)	50, 70, 100, 150, 200, 250W
Metal Halide (MH)	175, 250W
High Pressure Sodium (HP)	50, 70, 100, 150, 250W

Voltage Chart	
MT=Multi-Tap	120/208/240/277V (wired 277V)
TT=Triple-Tap	120/277/347V (wired 347V)

# COOPER LIGHTING - LUMARK



## RL ROADWAY LARGE CUTOFF COBRAHEAD

**150-400W**  
High Pressure Sodium  
Pulse Start Metal Halide  
Metal Halide

### SITE/ROADWAY LIGHT

- UL Wet Location Listed. EISA Compliant
- Die-cast aluminum housing with stainless steel bail latch. Standard grey polyester powder coat finish
- The reflector is precision hydroformed anodized aluminum with a Dacron polyester filter
- Die-cast aluminum door frame has two-position latch to ensure door stays fastened under extreme conditions
- Removable tempered flat glass refractor for use with high pressure sodium, metal halide and mercury lamp sources. Optional drop lens available
- Hard mounted ballast with encapsulated starter for protection from environmental abuse
- Two-bolt/one clamp slipfitter for 1 1/4" or 2" mounting arms
- Approximate net weight: 40 lbs. (18 kgs.)

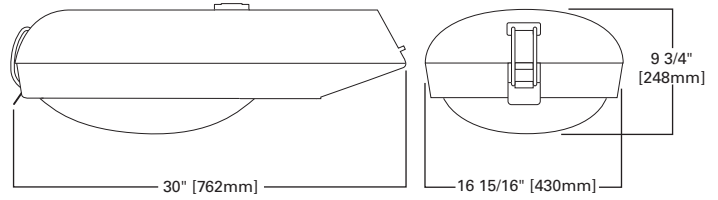
### DESCRIPTION

Roadway Cobrahead fixtures feature durable die-cast aluminum construction and a computer-designed optical system for sturdiness and optimum photometric control.



NOTE: In all flat glass configurations only.

### DIMENSIONS

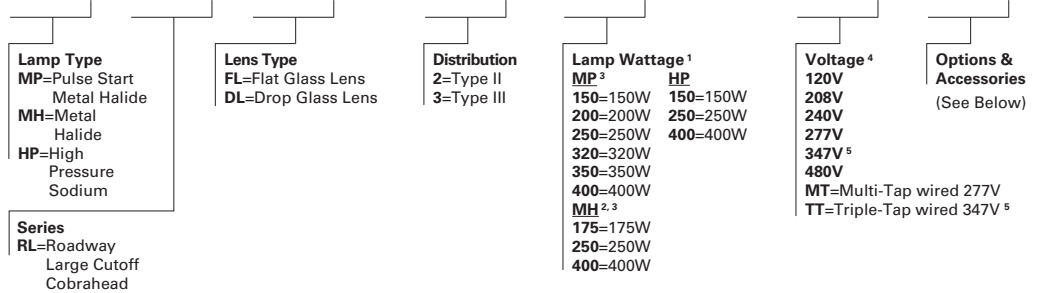


EPA-Effected Projected Area: .87

For Pole Information Refer to Cooper Lighting Pole Section.

### ORDERING INFORMATION

SAMPLE NUMBER: HPR-L-FL-3-400-MT-LL



**Options<sup>6</sup>**  
 F1=Single Fuse (120, 277 or 347V only)  
 F2=Double Fuse (208, 240 or 480V only)  
 LL=Lamp Included<sup>7</sup>  
 H=Plug-In Starter  
 K=Leveling Indicator  
 PER=NEMA Twistlock Photocontrol Receptacle  
 PC=Button Type Photocontrol

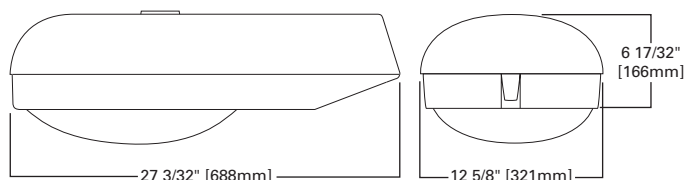
**Accessories<sup>8</sup>**  
 OA/RA1016=Photoelectric Control, 105-285 Volt NEMA Type  
 OA/RA1201=Photoelectric Control, 347 Volt NEMA Type  
 OA/RA1027=Photoelectric Control, 480 Volt NEMA Type  
 OA1028=Field-installed Photocontrol Receptacle, NEMA Type  
 (Order Photocontrol Separately)

**NOTES:** 1 All other lamps are mogul-base. Lamp not included. 2 175, 250 and 400W MP & MH for non-US markets only. 3 400W MH requires reduced envelope lamp (ED28). 4 Product also available in non-US voltages and 50Hz for international markets. 5 88% efficient EISA compliant fixtures not available in 347V or Triple-tap voltages. 6 Add as suffix in the order shown. 7 Lamp is shipped separate from luminaire. Lamp is Cooper designated product based on luminaire requirements. Specified lamps must be ordered as a separate line item. 8 Order separately. 9 Specifications and dimensions subject to change without notice.

Lamp Type	Wattage
Pulse Start Metal Halide (MP)	150, 200, 250, 320, 350, 400W
Metal Halide (MH)	175, 250, 400W
High Pressure Sodium (HP)	150, 250, 400W

Voltage Chart	
MT=Multi-Tap	120/208/240/277V (wired 277V)
TT=Triple-Tap	120/277/347V (wired 347V)

## DIMENSIONS



## DESCRIPTION

Roadway Cobrahead fixtures feature durable die-cast aluminum construction and a computer-designed optical system for sturdiness and optimum photometric control.



NOTE: In all flat glass configurations only.



## RC ROADWAY SMALL CUTOFF COBRAHEAD

EPA-Effectuated Projected Area: .80

For Pole Information Refer to Cooper Lighting Pole Section.

## ORDERING INFORMATION

SAMPLE NUMBER: HPRC-GL-3-400-MT-LL

<b>Lamp Type</b> MP= Pulse Start Metal Halide MH= Metal Halide HP= High Pressure Sodium	<b>Lens Type</b> FL= Flat Glass Lens DL= Drop Glass Lens	<b>Distribution</b> 2= Type II 3= Type III	<b>Lamp Wattage</b> <sup>1,2</sup> <table border="1"> <tr> <th>MP</th> <th>HP</th> </tr> <tr> <td>50=50W</td> <td>50=50W</td> </tr> <tr> <td>70=70W</td> <td>70=70W</td> </tr> <tr> <td>100=100W</td> <td>100=100W</td> </tr> <tr> <td>150=150W</td> <td>150=150W</td> </tr> <tr> <td>200=200W</td> <td>250=250W</td> </tr> <tr> <td>250=250W</td> <td></td> </tr> </table> MH <sup>3</sup> 175=175W 250=250W	MP	HP	50=50W	50=50W	70=70W	70=70W	100=100W	100=100W	150=150W	150=150W	200=200W	250=250W	250=250W		<b>Voltage</b> <sup>4</sup> 120V 208V 240V 277V 347V <sup>5</sup> 480V MT= Multi-Tap wired 277V TT= Triple-Tap wired 347V <sup>5</sup>	<b>Options &amp; Accessories</b> (See Below)
MP	HP																		
50=50W	50=50W																		
70=70W	70=70W																		
100=100W	100=100W																		
150=150W	150=150W																		
200=200W	250=250W																		
250=250W																			
<b>Series</b> RC= Roadway Small Cutoff Cobrahead																			

### Options<sup>6</sup>

F1= Single Fuse (120, 277 or 347V only)  
 F2= Double Fuse (208, 240 or 480V only)  
 LL= Lamp Included<sup>7</sup>  
 H= Plug-In Starter  
 K= Leveling Indicator  
 PER= NEMA Twistlock Photocontrol Receptacle  
 PC= Button Type Photocontrol

### Accessories<sup>8</sup>

OA/RA1016= Photoelectric Control, 105-285 Volt NEMA Type  
 OA/RA1201= Photoelectric Control, 347 Volt NEMA Type  
 OA/RA1027= Photoelectric Control, 480 Volt NEMA Type  
 OA1028= Field-installed Photocontrol Receptacle, NEMA Type  
 (Order Photocontrol Separately)

NOTES: 1 150W available in HP only. All HP and MP lamps 150W and above are mogul-base. Lamp not included. 2 All lamps are mogul-base except 150W MP and below are medium-base. Lamp not included. 3 175 and 250W MH for non-US markets only. 4 Products also available in non-US voltages and 50Hz for international markets. 5 88% efficient EISA compliant fixtures not available in 347V or Triple-tap voltages. 6 Add as suffix in the order shown. 7 Lamp is shipped separate from luminaire. Lamp is Cooper designated product based on luminaire requirements. Specified lamps must be ordered as a separate line item. 8 Order separately. 9 Specifications and dimensions subject to change without notice.

Lamp Type	Wattage
Pulse Start Metal Halide (MP)	50, 70, 100, 150, 200, 250W
Metal Halide (MH)	175, 250W
High Pressure Sodium (HP)	50, 70, 100, 150, 250W

Voltage Chart	
MT= Multi-Tap	120/208/240/277V (wired 277V)
TT= Triple-Tap	120/277/347V (wired 347V)

**150-250W**  
 High Pressure Sodium  
 Pulse Start Metal Halide  
 Metal Halide

### SITE/ROADWAY LIGHT

- UL Wet Location Listed. EISA Compliant
- Die-cast aluminum housing and integrally cast door hinge finished in durable grey polyester powder coat
- The reflector is precision hydroformed anodized aluminum with a Dacron polyester filter
- Die-cast aluminum door frame with integral hinges for toolless, relamping and maintenance
- Removable tempered flat glass for use with high pressure sodium, metal halide lamp sources. Optional clear drop glass lens available
- Hard mounted ballast with encapsulated starter and plastic terminal block for protection from environmental abuse
- Two-bolt/one clamp slipfitter for 1 1/4" or 2" mounting arms
- Approximate net weight: 28 lbs. (13 kgs.)

# COOPER LIGHTING - LUMARK



## MC HIGH MAST INDUSTRIAL AREA LUMINAIRE

**400-1000W**  
High Pressure Sodium  
Pulse Start Metal Halide  
Metal Halide

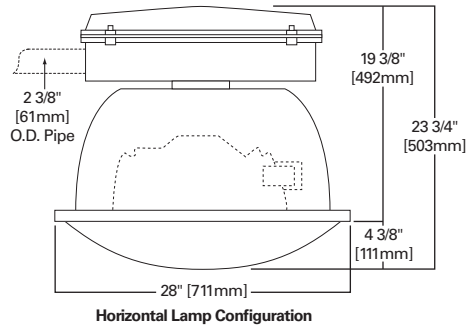
### INDUSTRIAL AREA LUMINAIRE

- UL Wet Location Listed. CSA Certified. EISA Compliant
- Die-cast aluminum housing and cover. Standard bronze polyester powder coat finish
- Clamp type internal slipfitter for 2 3/8" O.D. pipe
- Anodized spun aluminum outer reflector housing. Light pattern can be oriented by rotating optical assembly (360°). A degree indicator is provided to identify the aiming position
- Inner hydroformed and anodized reflector
- Die-cast aluminum door with tempered convex glass lens, silicone rubber gasket and hinged and latched door assembly for easy maintenance
- Approximate net weight: 68 lbs. (30 kgs.)

### DESCRIPTION

The MC high mast area luminaire's asymmetric optics can be oriented by rotating the optical assembly 360°. The MC is ideal for use on areas requiring maximum spacing, such as areas below tall industrial mezzanines and interstate highways.

### DIMENSIONS



EPA-Effectuated Projected Area: 1.46

For Pole Information Refer to Cooper Lighting Pole Section.

### ORDERING INFORMATION

SAMPLE NUMBER: MPMC-3-D-1000-120V

<b>Lamp Type</b> MP=Pulse Start Metal Halide HP=High Pressure Sodium MH=Metal Halide  <b>Series<sup>1</sup></b> MC=High Mast  <b>Optics</b> 1=Type I 2=Type II 3=Type III 4=Type IV  <b>Distribution</b> A=SCO (Short Cutoff) D=MCO (Medium Cutoff) E=MSCO (Medium Semi Cutoff) L=LMCO (Long Semi Cutoff)	<b>Lamp Wattage</b> MP 400=400W 750=750W 1000=1000W MH 400=400W 1000=1000W HP 400=400W 600=600W 750=750W 1000=1000W	<b>Voltage<sup>2</sup></b> 120V 208V 240V 277V 480V 347V <sup>3</sup> MT=Multi-Tap wired 277V TT=Triple-Tap wired 347V <sup>3</sup> 5T=5-Tap wired 277V <sup>5</sup>	<b>Options<sup>4</sup></b> F1=Single Fuse (120, 277 or 347V only) F2=Double Fuse (208, 240 or 480V only) LL=Lamp Included <sup>5</sup> MOV=Lighting Surge Protector G=Tempered Flat Glass Lens (Clear) FILT=Four-Stage Air Filter (Sintered bronze filter prevents the entrance of contaminants) PER=NEMA Twistlock Photocontrol Receptacle PC=Button Type Photocontrol	<b>Colors</b> WH=White BK=Black AP=Grey	<b>Accessories<sup>6</sup></b> OA1153=External Cutoff Shield (.90 EPA) OA/RA1016=Photoelectric Control, 105-285 Volt NEMA Type OA/RA1027=Photoelectric Control, 480 Volt NEMA Type
---	---	---	---	--	---

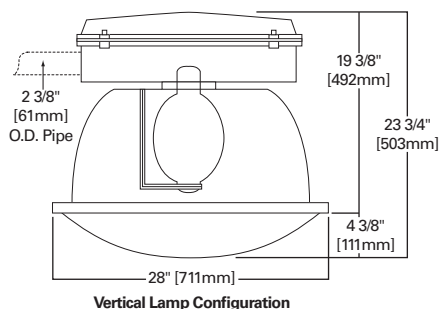
**NOTES:** 1 Standard color is bronze, other finish colors available. Consult your Cooper Lighting Representative. 2 Products also available in non-US voltages and 50Hz for international markets. 3 88% efficient EISA complaint MP fixtures not available in 347V and Triple-tap voltages. 4 Add suffix in the order shown. 5 Lamp is shipped separate from luminaire. Lamp is Cooper designated product based on luminaire requirements. Specified lamps must be ordered as a separate line item. 6 Order separately. 7 400W MH available in non-US markets only. 5T available in 400W MH only. 8 Specifications and dimensions subject to change without notice.

Lamp Type	Wattage
Pulse Start Metal Halide (MP)	400, 750, 1000W
Metal Halide (MH)	400, 1000W
High Pressure Sodium (HP)	400, 600, 750, 1000W

Voltage Chart	
MT=Multi-Tap	120/208/240/277V (wired 277V)
TT=Triple-Tap	120/277/347V (wired 347V)
5T=5-Tap	120/208/240/277/480V (wired 480V)



## DIMENSIONS



Vertical Lamp Configuration

## DESCRIPTION

The MX high mast area luminaire is ideal for use on areas requiring maximum spacing, such as areas below tall industrial mezzanines and interstate highways.



## MX HIGH MAST INDUSTRIAL AREA LUMINAIRE

EPA-Effected Projected Area: 1.46

For Pole Information Refer to Cooper Lighting Pole Section.

## ORDERING INFORMATION

SAMPLE NUMBER: MPMX-3-D-1000-120V

<b>Lamp Type</b> MP=Pulse Start Metal Halide HP=High Pressure Sodium MH=Metal Halide	<b>Lamp Wattage</b> MP 400=400W 450=450W 1000=1000W MH <sup>7</sup> 400=400W 1000=1000W HP 400=400W 600=600W 750=750W 1000=1000W	<b>Voltage<sup>2</sup></b> 120V 208V 240V 277V 480V 347V <sup>3</sup> MT=Multi-Tap wired 277V TT=Triple-Tap wired 347V <sup>3</sup> 5T=5-Tap wired 277V <sup>5</sup>	<b>Options<sup>4</sup></b> F1=Single Fuse (120, 277 or 347V only) F2=Double Fuse (208, 240 or 480V only) LL=Lamp Included <sup>5</sup> MOV=Lighting Surge Protector FILT=Four-Stage Air Filter (Sintered bronze filter prevents the entrance of contaminants) PER=NEMA Twistlock Photocontrol Receptacle PC=Button Type Photocontrol	<b>Colors</b> WH=White BK=Black AP=Grey	<b>Accessories<sup>6</sup></b> OA1153=External Cutoff Shield (.90 EPA) OA/RA1016=Photoelectric Control, 105-285 Volt NEMA Type OA/RA1027=Photoelectric Control, 480 Volt NEMA Type
<b>Series<sup>1</sup></b> MX=High Mast					
<b>Optics</b> O=Flat Glass D=Convex Glass N=Open					
<b>Distribution</b> M=Type V Medium S=Type V Short W=Type V Wide					

**NOTES:** 1 Standard color is bronze, other finish colors available. Consult your Cooper Lighting Representative. 2 Products also available in non-US voltages and 50Hz for international markets. 3 88% efficient EISA complaint MP fixtures not available in 347V and Triple-tap voltages. 4 Add suffix in the order shown. 5 Lamp is shipped separate from luminaire. Lamp is Cooper designated product based on luminaire requirements. Specified lamps must be ordered as a separate line item. 6 Order separately. 7 400W MH available in non-US markets only. 5T available in 400W MH only. 8 Specifications and dimensions subject to change without notice.

**400-1000W**  
High Pressure Sodium  
Pulse Start Metal Halide  
Metal Halide

INDUSTRIAL  
AREA LUMINAIRE

- UL Wet Location Listed. CSA Certified. EISA Compliant
- Die-cast aluminum housing and cover. Standard bronze polyester powder coat finish. Other finish colors available
- Clamp type internal slipfitter for 2 3/8" O.D. pipe
- Anodized spun aluminum reflector housing
- Die-cast aluminum door with tempered convex glass lens, silicone rubber gasket and hinged and latched door assembly for easy maintenance
- Approximate net weight: 64 lbs. (29 kgs.)

Lamp Type	Wattage
Pulse Start Metal Halide (MP)	400, 450, 1000W
Metal Halide (MH)	400, 1000W
High Pressure Sodium (HP)	400, 600, 750, 1000W

Voltage Chart	
MT=Multi-Tap	120/208/240/277V (wired 277V)
TT=Triple-Tap	120/277/347V (wired 347V)
5T=5-Tap	120/208/240/277/480V (wired 480V)

# COOPER LIGHTING - LUMARK



## MS254R, MS245RW, MS35, MS37 MS240

(2) 150W  
Incandescent

WATCH GUARD MOTION  
ACTIVATED FLOODLIGHTS  
AND RETROFIT MOTION  
SENSORS

### DESCRIPTION

The Lumark MS35 and MS37 are ideal security lights for any residential motion activated lighting application. Lights can be used as standard floodlights. High impact weatherproof non-metallic construction. Infrared motion sensor with 110° coverage up to 70 feet. Adjustable time and sensitivity settings for precise control (no tools required). U.L. listed and CSA certified for wet locations.

### SPECIFICATION FEATURES

- Durable metal lamp covers add a decorative look and help protect lamps from outside elements
- Durable die-cast aluminum lampholders and mounting plate for extra long life
- Large adjustment knobs for easy setup
- Wall or eaves mount
- Motion sensor turns lights on automatically when motion is detected and off after a preselected time delay (4 or 12 minutes) Night time-on setting allows lights to come on automatically at dusk (3 time settings). Lights can be turned on manually and reset at dawn. Photocell design prevents lights from turning on during daylight hours. Power outage protection resets at dawn
- Maximum (2)150W PAR 38 incandescent lamps. Lamps not included

### ORDERING INFORMATION

Catalog Number	Lamp Type	Lamp Wattage	Voltage	Color	Master Net Wt. (lbs.)—Kg	Master Carton Qty.	Unit Wt. (lbs.)—Kg	Master Cube (lbs.)—Kg
MS35	Incandescent	(2) 150	120V-127V	Bronze	(1.12)—0.51	2	0.56—0.26	0.24—0.07
MS37	Incandescent	(2) 150	120V-127V	White	(1.12)—0.51	2	0.56—0.26	0.24—0.07

### DESCRIPTION

The Lumark MS245R is the ideal security lighting for any commercial or residential application. Durable die-cast aluminum lampholders and mounting plate for extra long life. Night time ON setting allows light to come on automatically at dusk. 240° infrared sensor with extra wide design for maximum coverage. Lights can be turned on manually and reset at dawn. U.L. listed and CSA certified for wet locations.

### SPECIFICATION FEATURES

- Maximum (2)150W PAR 38 incandescent lamps. Lamps not included
- Durable high-impact non-metallic construction is weather resistant
- Wall or eaves mount
- Convenient toolless lamp and sensor head adjustment with adjustable time and sensitivity settings. Detects motion at 110° and up to 70'. 23 motion detection zones

### ORDERING INFORMATION

Catalog Number	Lamp Type	Voltage	Color	Master Pack	Net Weight	Shipping Volume (cu. ft.)	Package Dimensions (D x W x L)
MS245R	(2) 150W PAR38 Incandescent	120V	Bronze	2	2.3 lbs (1.0 kg)	0.21	11 1/4" x 6 1/16" x 4 15/16"
MS245RW	(2) 150W PAR38 Incandescent	120V	White	2	2.3 lbs (1.0 kg)	0.21	11 1/4" x 6 1/16" x 4 15/16"

### DESCRIPTION

The Retrofit Lumark MS240 provides long range light control up to 70' and 240° degrees of coverage. Finished in bronze or bright white. Adjustable 4-12 minute time delay. Handles up to 300W of switching capacity. Motion sensor turns lights on automatically when motion is detected and off after a preselected time delay (4 or 12 minutes). Night time-on setting allows lights to come on automatically at dusk (3 time settings). Lights can be turned on manually and reset at dawn

### SPECIFICATION FEATURES

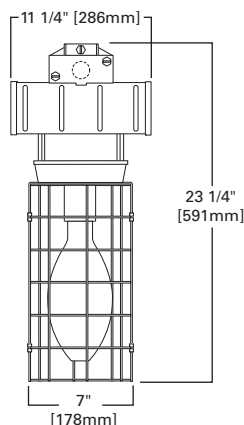
- 240° coverage fully adjustable down to 180° for exacting coverage pattern
- Adjustable 4-12 minute time delay
- Handles up to 300W of switching capacity
- Motion sensor turns lights on automatically when motion is detected and off after a preselected time delay (4 or 12 minutes). Nighttime-on setting allows lights to come on automatically at dusk (3 time settings). Lights can be turned on manually and reset at dawn
- Finished in bronze or bright white

### ORDERING INFORMATION

Catalog Number	Switching Capacity	Voltage	Color	Master Pack	Net Weight	Shipping Volume (cu. ft.)	Package Dimensions (D x W x L)
MS240	300W	120V	Bronze	4	.56 lbs (0.2kg)	0.03	6" x 3 3/8" x 2 7/8"
MS240W	300W	120V	White	4	.56 lbs (0.2kg)	0.03	6" x 3 3/8" x 2 7/8"

NOTES: 1 Products also available in non-US voltages and frequencies for international markets. 2 Consult your Cooper Lighting Representative for availability and ordering information. 3 Specifications and dimensions subject to change without notice.

## DIMENSIONS



## DESCRIPTION

The Steeler Worklight combines a durable cold-rolled steel housing and a construction wire guard to help protect the lamp at any construction site. U.L. listed and labeled for damp location. CSA Certified.



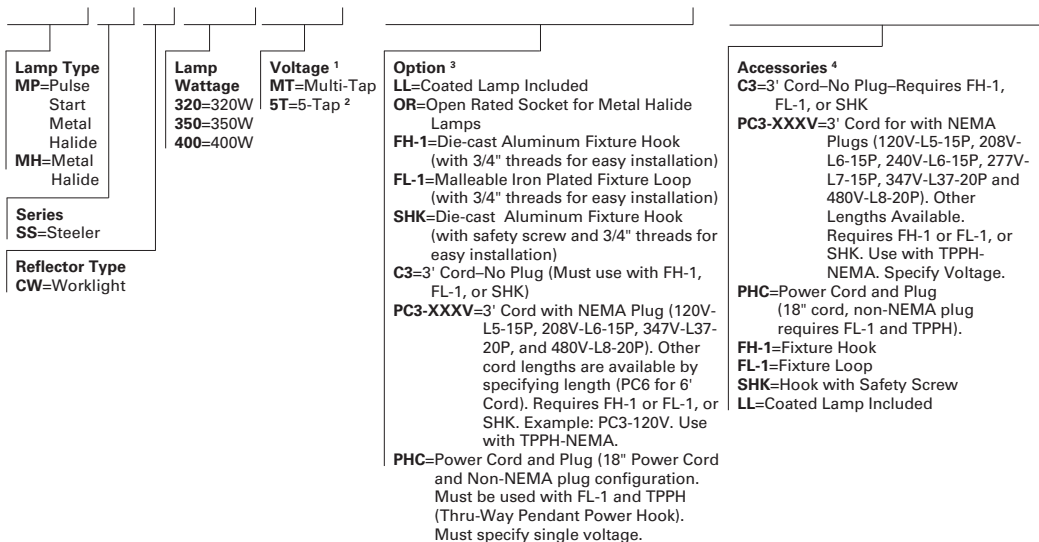
## SS STEELER WORKLIGHT

**320-400W**  
Pulse Start Metal Halide  
Metal Halide

CONSTRUCTION  
LUMINAIRE

## ORDERING INFORMATION

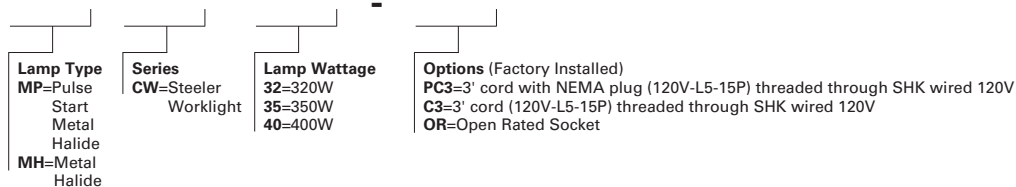
SAMPLE NUMBER: MHSS-CW-400-MT



NOTES: 1 Products also available in non-US voltages and frequencies for international markets. 2 88% efficient EISA compliant MP fixtures not available in 5-Tap voltages. 3 Add as suffix in order shown. 4 Order separately. 5 Specifications and dimensions subject to change without notice.

## STOCK SAMPLE SAMPLE (Coated Lamp Included)

SAMPLE NUMBER: MHCW40



NOTES: Options not available with stock products. Order Accessories as separate items for field installation. Refer to standard ordering information to add options and accessories.

- U.L. listed and CSA certified
- Easy slide-on die-cast aluminum mounting box with tapped opening for 3/4" conduit
- Heavy-duty, formed steel housing with an open air ballast for cooler operation is finished in a white polyester paint
- High power factor ballast with class H insulation. U.L. listed for 65°C (149°F) ambient temperature operation. Minimum starting temperature is -40°C (-40° F) for HP and -30°C (-20° F) for MH. CSA certified
- Mogul-base porcelain socket
- Durable formed and welded steel wire coated with a safety yellow polyester paint for easy visibility and safety
- Great replacement for temporary string lighting where mounting heights exceed 15'
- Approximate net weight: 30 lbs. (13 kgs.)

Lamp Type	Wattage
Pulse Start Metal Halide (MP)	320, 350, 400W
Metal Halide (MH)	400W

Voltage Chart	
MT=Multi-Tap	120/208/240/277V (wired 277V)
5T=5-Tap	120/208/240/277/480V (wired 480V)

# COOPER LIGHTING - LUMARK



## SD/DD/IR DOCKLIGHT

**40W**  
Compact Fluorescent

**200-300W**  
Incandescent

**WALL OR CEILING MOUNTED DOCKLIGHT**

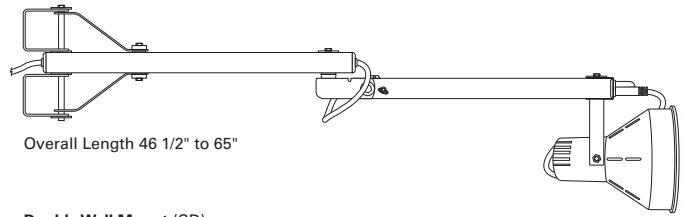
- Maximum (1) 300W PAR 38 incandescent lamp or (1) 40W Compact Fluorescent lamp
- Strong durable high impact composite material also available in polished chrome
- Available in single and double wall mount and ceiling mount configurations
- Finish on the arm is safety yellow polyester powder coat. Struts and brackets are black zinc. Composite lamp heads are black. Polycarbonate lamp heads are yellow and fluorescent lamp heads are polished chrome
- Approximate net weight: 17 lbs. (7.73 kgs.)

### DESCRIPTION

The Lumark Docklight is ideal for illuminating the interior of tractor trailers during loading or unloading. The arms and struts are constructed of 1 1/2" cross section 12-gauge steel tubing. Arms and strut ends are provided with injection-molded end caps. Electrical cord is secured and allows for easy adjustment.

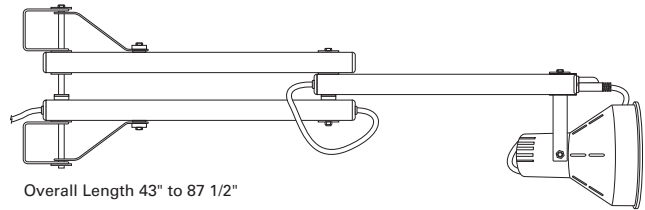
### DIMENSIONS

#### Single Wall Mount (SD)



Overall Length 46 1/2" to 65"

#### Double Wall Mount (SD)



Overall Length 43" to 87 1/2"

### ORDERING INFORMATION

SAMPLE NUMBER: INDD40-30R-300-WLG-120V







Lamp Type	Arm Length	Lamp Head	Lamp Wattage	Lamp Guard	Voltage	Options <sup>2</sup>	Accessories <sup>3</sup>
IN=Incandescent	24=24" 30=30" <sup>1</sup> 40=43" 60=63" 90=90"	30R=Composite Head (300W Incandescent Max.) 20P=Polycarbonate Head (200W Incandescent Max.)	200=200W (Incandescent) 300=300W (Incandescent)	WLG=Wire Lamp Guard CLG=Composite Lamp Guard	120V=120V	=Yellow (Standard Color Finish) LA=Locking Arm AA=Spring Arm	FAN=18" 3-Speed Fan
Series							
SD=Single Wall Arm Docklight							
DD=Double Wall Arm Docklight							
IR=Ceiling Mount Docklight							

NOTES: 1 Available with IR only. 2 Add as suffix in the order shown. 3 Order separately. 4 Specifications and dimensions subject to change without notice.

# COOPER LIGHTING - LUMARK

Product	Probe Start Metal Halide (MH) Cat Logic Prefix String	Pulse Start Metal Halide (MP) Cross Reference	EISA Compliant
 <p><b>AIM/AIL Avid Series</b> p. 7 &amp; 8</p>	AIM-250-MH	AIM-250-MP	ⓔ
	AIL-250-MH	AIL-250-MP	ⓔ
	AIL-320-MH	AIL-320-MP	ⓔ
	AIL-350-MH	AIL-350-MP	ⓔ
	AIL-400-MH	AIL-400-MP	ⓔ
 <p><b>SS Steeler</b> p. 9</p>	MHSS-SA 150	MPSS-SA 175	ⓔ
	MHSS-SA 175	MPSS-SA 175	ⓔ
	MHSS-SA 250	MPSS-SA 250	ⓔ
		MPSS-SA 320	ⓔ
		MPSS-SA 350	ⓔ
	MHSS-SA 400	MPSS-SA 400	ⓔ
		MPSS-SA 450	ⓔ
	MHSS-SA-40	MPSS32	ⓔ
		MPSS35	ⓔ
	MPSS40	ⓔ	
 <p><b>HB Benchmark</b> p. 10</p>	MHHB-SA 150	MPHB-SA 175	ⓔ
	MHHB-SA 175	MPHB-SA 175	ⓔ
	MHHB-SA 250	MPHB-SA 250	ⓔ
		MPHB-SA 320	ⓔ
		MPHB-SA 350	ⓔ
	MHHB-SA 400	MPHB-SA 400	ⓔ
	MPHB-SA 450	ⓔ	
 <p><b>SE E&amp;G Steeler</b> p. 11</p>	MHSE-ENSA 150	MPSE-ENSA 175	ⓔ
	MHSE-ENSA 175	MPSE-ENSA 175	ⓔ
	MHSE-ENSA 250	MPSE-ENSA 250	ⓔ
		MPSE-ENSA 320	ⓔ
		MPSE-ENSA 350	ⓔ
	MHSE-ENSA 400	MPSE-ENSA 400	ⓔ
	MPSE-ENSA 450	ⓔ	
 <p><b>EB E&amp;G Benchmark</b> p. 12</p>	MHEB-ENSA 150	MPEB-ENSA 175	ⓔ
	MHEB-ENSA 175	MPEB-ENSA 175	ⓔ
	MHEB-ENSA 250	MPEB-ENSA 250	ⓔ
		MPEB-ENSA 320	ⓔ
		MPEB-ENSA 350	ⓔ
	MHEB-ENSA 400	MPEB-ENSA 400	ⓔ
	MPEB-ENSA 450	ⓔ	
 <p><b>UB Benchmark Uplight</b> p. 13</p>	MHUB-ENSA 150	MPUB-ENSA 175	ⓔ
	MHUB-ENSA 175	MPUB-ENSA 175	ⓔ
	MHUB-ENSA 250	MPUB-ENSA 250	ⓔ
		MPUB-ENSA 320	ⓔ
		MPUB-ENSA 350	ⓔ
	MHUB-ENSA 400	MPUB-ENSA 400	ⓔ
	MPUB-ENSA 450	ⓔ	

# COOPER LIGHTING - LUMARK

	<b>Product</b>	<b>Probe Start Metal Halide (MH) Cat Logic Prefix String</b>	<b>Pulse Start Metal Halide (MP) Cross Reference</b>	<b>EISA Compliant</b>
	<b>SS Econoliter</b> p. 14	MHSS-EL 150	MPSS-EL 175	ⓔ
		MHSS-EL 175	MPSS-EL 175	ⓔ
		MHSS-EL 250	MPSS-EL 250	ⓔ
			MPSS-EL 320	ⓔ
			MPSS-EL 350	ⓔ
		MHSS-EL 400	MPSS-EL 400	ⓔ
		MPSS-EL 450	ⓔ	
	<b>SS VertX</b> p. 15	MHSS-AV 150	MPSS-AV 175	ⓔ
		MHSS-AV 175	MPSS-AV 175	ⓔ
		MHSS-AV 250	MPSS-AV 250	ⓔ
			MPSS-AV 320	ⓔ
			MPSS-AV 350	ⓔ
		MHSS-AV 400	MPSS-AV 400	ⓔ
		MPSS-AV 450	ⓔ	
	<b>HB VertX</b> p. 16	MHHB-AV 150	MPHB-AV 175	ⓔ
		MHHB-AV 175	MPHB-AV 175	ⓔ
		MHHB-AV 250	MPHB-AV 250	ⓔ
			MPHB-AV 320	ⓔ
			MPHB-AV 350	ⓔ
		MHHB-AV 400	MPHB-AV 400	ⓔ
		MPHB-AV 450	ⓔ	
	<b>SE E&amp;G VertX</b> p. 17	MHSE-ENAV 150	MPSE-ENAV 175	ⓔ
		MHSE-ENAV 175	MPSE-ENAV 175	ⓔ
		MHSE-ENAV 250	MPSE-ENAV 250	ⓔ
			MPSE-ENAV 320	ⓔ
			MPSE-ENAV 350	ⓔ
		MHSE-ENAV 400	MPSE-ENAV 400	ⓔ
		MPSE-ENAV 450	ⓔ	
	<b>EB E&amp;G VertX</b> p. 18	MHEB-ENAV 150	MPEB-ENAV 175	ⓔ
		MHEB-ENAV 175	MPEB-ENAV 175	ⓔ
		MHEB-ENAV 250	MPEB-ENAV 250	ⓔ
			MPEB-ENAV 320	ⓔ
			MPEB-ENAV 350	ⓔ
		MHEB-ENAV 400	MPEB-ENAV 400	ⓔ
		MPEB-ENAV 450	ⓔ	
	<b>EP Enterprise</b> p. 19	MHEP 150	MPEP 175	ⓔ
		MHEP 175	MPEP 175	ⓔ
		MHEP 250	MPEP 250	ⓔ
			MPEP 320	ⓔ
			MPEP 350	ⓔ
		MHEP 400	MPEP 400	ⓔ
			MPEP 450	ⓔ
		FM25	FP25	ⓔ
			FP32	ⓔ
		FM40	FP40	ⓔ

# COOPER LIGHTING - LUMARK


	<b>Product</b>	<b>Probe Start Metal Halide (MH) Cat Logic Prefix String</b>	<b>Pulse Start Metal Halide (MP) Cross Reference</b>	<b>EISA Compliant</b>
	<b>RB Benchmark Low-Bay</b> p. 20	MHRB 150	MPRB 175	ⓔ
		MHRB 175	MPRB 175	ⓔ
		MHRB 250	MPRB 250	ⓔ
			MPRB 320	ⓔ
			MPRB 350	ⓔ
		MHRB 400	MPRB 400	ⓔ
		MPRB 450	ⓔ	
	<b>VF Vertimark</b> p. 21	MHVF-AL 150	MPVF-AL 175	ⓔ
		MHVF-AL 175	MPVF-AL 175	ⓔ
		MHVF-AL 250	MPVF-AL 250	ⓔ
			MPVF-AL 320	ⓔ
			MPVF-AL 350	ⓔ
		MHVF-AL 400	MPVF-AL 400	ⓔ
	<b>BE Vertimark II</b> p. 22	MHBE 150	MPBE 175	ⓔ
		MHBE 175	MPBE 175	ⓔ
		MHBE 250	MPBE 250	ⓔ
	<b>SG Glass Steeler</b> p. 23	MHSG-GR 150	MPSG-GR 175	ⓔ
		MHSG-GR 175	MPSG-GR 175	ⓔ
		MHSG-GR 250	MPSG-GR 250	ⓔ
			MPSG-GR 320	ⓔ
			MPSG-GR 350	ⓔ
		MHSG-GR 400	MPSG-GR 400	ⓔ
	MPSG-GR 450	ⓔ		
	<b>GB Glass Benchmark</b> p. 24	MHGB-GR 150	MPGB-GR 175	ⓔ
		MHGB-GR 175	MPGB-GR 175	ⓔ
		MHGB-GR 250	MPGB-GR 250	ⓔ
			MPGB-GR 320	ⓔ
			MPGB-GR 350	ⓔ
		MHGB-GR 400	MPGB-GR 400	ⓔ
	MPGB-GR 450	ⓔ		
	<b>SE E&amp;G Glass Steeler</b> p. 25	MHSE-ENGR 150	MPSE-ENGR 175	ⓔ
		MHSE-ENGR 175	MPSE-ENGR 175	ⓔ
		MHSE-ENGR 250	MPSE-ENGR 250	ⓔ
			MPSE-ENGR 320	ⓔ
			MPSE-ENGR 350	ⓔ
		MHSE-ENGR 400	MPSE-ENGR 400	ⓔ
	MPSE-ENGR 450	ⓔ		

# COOPER LIGHTING - LUMARK

	Product	Probe Start Metal Halide (MH) Cat Logic Prefix String	Pulse Start Metal Halide (MP) Cross Reference	EISA Compliant
	<b>EB E&amp;G Glass Benchmark</b> p. 26	MHEB-ENGR 150	MPEB-ENGR 175	Ⓔ
		MHEB-ENGR 175	MPEB-ENGR 175	Ⓔ
		MHEB-ENGR 250	MPEB-ENGR 250	Ⓔ
			MPEB-ENGR 320	Ⓔ
			MPEB-ENGR 350	Ⓔ
		MHEB-ENGR 400	MPEB-ENGR 400	Ⓔ
		MPEB-ENGR 450	Ⓔ	
	<b>SS Prismatic High-Bay</b> p. 27	MHSS-PD 150	MPSS-PD 175	Ⓔ
		MHSS-PD 175	MPSS-PD 175	Ⓔ
		MHSS-PD 250	MPSS-PD 250	Ⓔ
			MPSS-PD 320	Ⓔ
			MPSS-PD 350	Ⓔ
		MHSS-PD 400	MPSS-PD 400	Ⓔ
		MPSS-PD 450	Ⓔ	
	<b>HB Prismatic Benchmark</b> p. 28	MHHB-PD 150	MPHB-PD 175	Ⓔ
		MHHB-PD 175	MPHB-PD 175	Ⓔ
		MHHB-PD 250	MPHB-PD 250	Ⓔ
			MPHB-PD 320	Ⓔ
			MPHB-PD 350	Ⓔ
		MHHB-PD 400	MPHB-PD 400	Ⓔ
		MPHB-PD 450	Ⓔ	
	<b>SE E&amp;G Prismatic Acrylic Steeler</b> p. 29	MHSE-ENPD 150	MPSE-ENPD 175	Ⓔ
		MHSE-ENPD 175	MPSE-ENPD 175	Ⓔ
		MHSE-ENPD 250	MPSE-ENPD 250	Ⓔ
			MPSE-ENPD 320	Ⓔ
			MPSE-ENPD 350	Ⓔ
		MHSE-ENPD 400	MPSE-ENPD 400	Ⓔ
		MPSE-ENPD 450	Ⓔ	
	<b>EB E&amp;G Prismatic Acrylic Benchmark</b> p. 30	MHEB-ENPD 150	MPEB-ENPD 175	Ⓔ
		MHEB-ENPD 175	MPEB-ENPD 175	Ⓔ
		MHEB-ENPD 250	MPEB-ENPD 250	Ⓔ
			MPEB-ENPD 320	Ⓔ
			MPEB-ENPD 350	Ⓔ
		MHEB-ENPD 400	MPEB-ENPD 400	Ⓔ
		MPEB-ENPD 450	Ⓔ	
	<b>SS Enhanced Refractor High-Bay Steeler</b> p. 31	MHSS-ER 150	MPSS-ER 175	Ⓔ
		MHSS-ER 175	MPSS-ER 175	Ⓔ
		MHSS-ER 250	MPSS-ER 250	Ⓔ
			MPSS-ER 320	Ⓔ
			MPSS-ER 350	Ⓔ
		MHSS-ER 400	MPSS-ER 400	Ⓔ
		MPSS-ER 450	Ⓔ	



# COOPER LIGHTING - LUMARK

	<b>Product</b>	<b>Probe Start Metal Halide (MH) Cat Logic Prefix String</b>	<b>Pulse Start Metal Halide (MP) Cross Reference</b>	<b>EISA Compliant</b>
	<b>HB Enhanced Refractor High-Bay Benchmark p. 32</b>	MHHB-ER 150	MPHB-ER 175	ⓔ
		MHHB-ER 175	MPHB-ER 175	ⓔ
		MHHB-ER 250	MPHB-ER 250	ⓔ
			MPHB-ER 320	ⓔ
			MPHB-ER 350	ⓔ
	MHHB-ER 400	MPHB-ER 400	ⓔ	
		MPHB-ER 450	ⓔ	
	<b>LX Prismatic Direct-Mount Steeler p. 33</b>	MHLX 150	MPLX 175	ⓔ
		MHLX 175	MPLX 175	ⓔ
		MHLX 250	MPLX 250	ⓔ
			MPLX 320	ⓔ
			MPLX 350	ⓔ
	MHLX 400	MPLX 400	ⓔ	
	<b>XB Prismatic Direct-Mount Benchmark p. 34</b>	MHXB 150	MPXB 175	ⓔ
		MHXB 175	MPXB 175	ⓔ
		MHXB 250	MPXB 250	ⓔ
			MPXB 320	ⓔ
			MPXB 350	ⓔ
	MHXB 400	MPXB 400	ⓔ	
	<b>VL Large Vaportight p. 38</b>	MHVL 150	MPVL 175	ⓔ
		MHVL 175	MPVL 175	ⓔ
	<b>QC Quadra-Mark p. 47</b>	MHQC 175	MPQC 175	ⓔ
		MHQC 250	MPQC 250	ⓔ
			MPQC 320	ⓔ
			MPQC 350	ⓔ
			MHQC 400	MPQC 400
	<b>QP Quadra-Lume p. 48</b>	MHQP 175	MPQP 175	ⓔ
		MHQP 250	MPQP 250	ⓔ
			MPQP 320	ⓔ
			MPQP 350	ⓔ
			MHQP 400	MPQP 400

# COOPER LIGHTING - LUMARK

	<b>Product</b>	<b>Probe Start Metal Halide (MH) Cat Logic Prefix String</b>	<b>Pulse Start Metal Halide (MP) Cross Reference</b>	<b>EISA Compliant</b>
	<b>QF Quadra-Lume w/ Flat Lens p. 49</b>	MHQF 175	MPQF 175	ⓔ
		MHQF 250	MPQF 250	ⓔ
			MPQF 320	ⓔ
			MPQF 350	ⓔ
		MHQF 400	MPQF 400	ⓔ
	<b>QD Quadra-Lume w/ Drop Lens p. 50</b>	MHQD 175	MPQD 175	ⓔ
		MHQD 250	MPQD 250	ⓔ
			MPQD 320	ⓔ
			MPQD 350	ⓔ
		MHQD 400	MPQD 400	ⓔ
	<b>CL/CS Canopy Light p. 51</b>	MHCL 100	MPCL 100	
		MHCL 150	MPCL 150	
		MHCL 175	MPCL 150	
			MPCL 200	ⓔ
		MHCL 250	MPCL 250	ⓔ
			MPCL 320	ⓔ
			MPCL 350	ⓔ
		MHCL 400	MPCL 400	ⓔ
		MHCS 150	MPCS 150	
		MHCS 175	MPCS 150	
			MPCS 200	ⓔ
		MHCS 250	MPCS 250	ⓔ
			MPCS 320	ⓔ
	MPCS 350	ⓔ		
	MPCS 400	ⓔ		
	<b>PR Parker p. 52</b>	MHPR 70	MPPR 70	
		MHPR 100	MPPR 100	
		MHPR 150	MPPR 150	
		MHPR 175	MPPR 150	
	<b>PD Park-King p. 53</b>	MHPD 50	MPPD 50	
		MHPD 70	MPPD 70	
		MHPD 100	MPPD 100	
		MHPD 150	MPPD 150	
		MHPD 175	MPPD 150	





# COOPER LIGHTING - LUMARK

	<b>Product</b>	<b>Probe Start Metal Halide (MH) Cat Logic Prefix String</b>	<b>Pulse Start Metal Halide (MP) Cross Reference</b>	<b>EISA Compliant</b>
	<b>SF Falcon</b> p. 55	MHSF 50	MPSF 50	
		MHSF 70	MPSF 70	
		MHSF 100	MPSF 100	
		MHSF 150	MPSF 150	
		MHSF 175	MPSF 150	
		MHSF50	MPSF50	
		MHSF70	MPSF70	
		MHSF10	MPSF10	
		MHSF17	MPSF15	
	<b>XF Falcon</b> p. 56	MHXF25	MPXF25	Ⓔ
			MPXF32	Ⓔ
			MPXF35	Ⓔ
		MHXF40	MPXF40	Ⓔ
	<b>MS Impact Flood Small</b> p. 57	MHMS 50	MPMS50	
		MHMS 70	MPMS70	
		MHMS 10	MPMS100	
		MHMS 150	MPMS150	
		MHMS 175	MPMS150	
		MHMS70	MPMS70	
		MHMS10	MPMS10	
		MHMS17	MPMS15	
	<b>MM Impact Flood Medium</b> p. 58	MHMM 150	MPMM 150	
		MHMM 175	MPMM 150	
			MPMM 200	Ⓔ
		MHMM 250	MPMM 250	Ⓔ
			MPMM 320	Ⓔ
		MHMM 400	MPMM 400	Ⓔ
		MHMM25	MPMM25	Ⓔ
			MPMM32	Ⓔ
	MPMM40	Ⓔ		
	<b>WR Warrior</b> p. 59	MHWR 100	MPWR 100	
		MHWR 150	MPWR 150	
		MHWR 175	MPWR 150	
			MPWR 200	Ⓔ
		MHWR 250	MPWR 250	Ⓔ
			MPWR 320	Ⓔ
			MPWR 350	Ⓔ
		MHWR 400	MPWR 400	Ⓔ
		XM17	XP15	
		XM25	XP25	Ⓔ
			XP32	Ⓔ
		XM40	XP40	Ⓔ
		WM17	WP15	
		WM25	WP25	Ⓔ
			WP32	Ⓔ
WM40	WP40	Ⓔ		

# COOPER LIGHTING - LUMARK

	Product	Probe Start Metal Halide (MH) Cat Logic Prefix String	Pulse Start Metal Halide (MP) Cross Reference	EISA Compliant
	NK Nighthawk III p. 60	MHNK 150	MPNK 150	
		MHNK 175	MPNK 150	
		MHNK 250	MPNK 250	Ⓔ
			MPNK 320	Ⓔ
		MHNK 400	MPNK 400	Ⓔ
		MHNK 25	MPNK 25	Ⓔ
			MPNK 32	Ⓔ
	MHNK 40	MPNK 40	Ⓔ	
	LP Low-Profile Floodlight p. 61	MHLP 250	MPLP 250	Ⓔ
			MPLP 320	Ⓔ
			MPLP 350	Ⓔ
		MHLP 400	MPLP 400	Ⓔ
	IP Impact Wedge p. 66	MHIP-W 50	MPIP-W 50	
		MHIP-W 70	MPIP-W 70	
		MHIP-W 100	MPIP-W 100	
		MHIP-W 150	MPIP-W 150	
		MHIP-W 175	MPIP-W 150	
	IP Impact Trapezoid p. 67	MHIP-T 50	MPIP-T 50	
		MHIP-T 70	MPIP-T 70	
		MHIP-T 100	MPIP-T 100	
		MHIP-T 150	MPIP-T 150	
		MHIP-T 175	MPIP-T 150	
	IPTM Impact Trapezoid Medium p. 68	MHIP-TM 150	MPIP-TM 150	
		MHIP-TM 175	MPIP-TM 150	
			MPIP-TM 200	Ⓔ
		MHIP-TM 250	MPIP-TM 250	Ⓔ
			MPIP-TM 320	Ⓔ
			MPIP-TM 350	Ⓔ
		MHIP-TM 400	MPIP-TM 400	Ⓔ
		MHIPITM25	MPIPITM25	Ⓔ
			MPIPITM32	Ⓔ
MHIPITM40	MPIPITM40	Ⓔ		







# COOPER LIGHTING - LUMARK

Product	Probe Start Metal Halide (MH) Cat Logic Prefix String	Pulse Start Metal Halide (MP) Cross Reference	EISA Compliant
 <p><b>IP Impact Cylinder</b> p. 69</p>	MHIP-C 50	MPIP-C 50	
	MHIP-C 70	MPIP-C 70	
	MHIP-C 100	MPIP-C 100	
	MHIP-C 150	MPIP-C 150	
	MHIP-C 175	MPIP-C 150	
 <p><b>IPCM Impact Cylinder Medium</b> p. 70</p>	MHIP-CM 150	MPIP-CM 150	
	MHIP-CM 175	MPIP-CM 150	
		MPIP-CM 200	ⓔ
	MHIP-CM 250	MPIP-CM 250	ⓔ
		MPIP-CM 320	ⓔ
		MPIP-CM 350	ⓔ
	MHIP-CM 400	MPIP-CM 400	ⓔ
	MHIPICM25	MPIPICM25	ⓔ
	MPIPICM32	ⓔ	
	MPIPICM40	ⓔ	
 <p><b>IP Impact Quarter Sphere</b> p. 71</p>	MHIP-S 50	MPIP-S 50	
	MHIP-S 70	MPIP-S 70	
	MHIP-S 100	MPIP-S 100	
	MHIP-S 150	MPIP-S 150	
	MHIP-S 175	MPIP-S 150	
 <p><b>WL Wal-Pak</b> p. 72</p>	MHWL 50	MPWL 50	
	MHWL 70	MPWL 70	
	MHWL 100	MPWL 100	
	MHWL 150	MPWL 150	
	MHWL 175	MPWL 150	
		MPWL 200	ⓔ
	MHWL 250	MPWL 250	ⓔ
		MPWL 320	ⓔ
		MPWL 350	ⓔ
	MHWL 400	MPWL 400	ⓔ
	MHPL 150	MPPL 150	
	MHPL 175	MPPL 150	
		MPPL 200	ⓔ
	MHPL 250	MPPL 250	ⓔ
		MPPL 320	ⓔ
		MPPL 350	ⓔ
	MHPL 400	MPPL 400	ⓔ
	MHWE 150	MPWE 150	
	MHWE 175	MPWE 150	
		MPWE 200	ⓔ
	MHWE 250	MPWE 250	ⓔ
		MPWE 320	ⓔ
		MPWE 350	ⓔ
	MHWE 400	MPWE 400	ⓔ
PM17	PM15		
PM25	PM25		
	PM32		
PM40	PM40		

# COOPER LIGHTING - LUMARK

	Product	Probe Start Metal Halide (MH) Cat Logic Prefix String	Pulse Start Metal Halide (MP) Cross Reference	EISA Compliant
	<b>MN Mon-2</b> p. 73	MHMN 50	MPMN 50	
		MHMN 70	MPMN 70	
		MHMN 100	MPMN 100	
	<b>M4 Mon-4</b> p. 74	MHM4 70	MPM4 70	
		MHM4 100	MPM4 100	
		MHM4 150	MPM4 150	
		MHM4 175	MPM4 150	
			MPM4 200	Ⓔ
		MHM4 250	MPM4 250	Ⓔ
			MPM4 320	Ⓔ
			MPM4 350	Ⓔ
	MHM4 400	MPM4 400	Ⓔ	
	<b>WM Wal-Lite</b> p. 75	MHWM50G	MPWM50G	
		MHWM70G	MPWM70G	
		MHWM10G	MPWM10G	
	<b>WP Wal-Eye</b> p. 77	MHWP 70	MPWP 70	
		MHWP 100	MPWP 100	
		MHWP 150	MPWP 150	
		MHWP 175	MPWP 150	
		MHWC 150	MPWC 150	
		MHWC 175	MPWC 150	
	<b>GP Glass-Pak</b> p. 78	MHGP 50	MPGP 50	
		MHGP 70	MPGP 70	
		MHGP 100	MPGP 100	
		MHGP 150	MPGP 150	
		MHGP 175	MPGP 150	
	<b>GS Super Smokey</b> p. 79	MHGS 50	MPGS 50	
		MHGS 70	MPGP 70	
		MHGS 100	MPGS 100	
		MHGS 150	MPGS 150	
		MHGS 175	MPGS 150	

# COOPER LIGHTING - LUMARK






	<b>Product</b>	<b>Probe Start Metal Halide (MH) Cat Logic Prefix String</b>	<b>Pulse Start Metal Halide (MP) Cross Reference</b>	<b>EISA Compliant</b>
	<b>VR Smokey</b> p. 80	MHVR 50 MHVR 70 MHVR 100	MPVR 50 MPVR 70 MPVR 100	
	<b>MP Micro-Pak</b> p. 81	MHMP 50 MHMP 70 MHMP 100	MPMP 50 MPMP 70 MPMP 100	
	<b>Wally Cutoff</b> p. 82	LM70C LM10C	LP70C LP10C	
	<b>Wally</b> p. 82	LM70G LM10G	LP70G LP10G	
	<b>Z-Pak Cutoff</b> p. 83	MHFZ17C	MPFZ15C	
	<b>Z-Pak</b> p. 83	MHFZ17	MPFZ15	

# COOPER LIGHTING - LUMARK

	<b>Product</b>	<b>Probe Start Metal Halide (MH) Cat Logic Prefix String</b>	<b>Pulse Start Metal Halide (MP) Cross Reference</b>	<b>EISA Compliant</b>
	<b>EL Eternalume</b> p. 85	MHEL10	MPEL10	
		MHEL70	MPEL70	
	<b>TR Tribute</b> p. 86	MHTR 70	MPTR 70	
		MHTR 100	MPTR 100	
		MHTR 150	MPTR 150	
		MHTR 175	MPTR 150	
			MPTR 200	ⓔ
		MHTR 250	MPTR 250	ⓔ
			MPTR 320	ⓔ
			MPTR 350	ⓔ
		MHTR 400	MPTR 400	ⓔ
		MHTR2317	MPTR2315	
		MHTR2325	MPTR2325	ⓔ
			MPTR2332	ⓔ
	MHTR2340	MPTR2340	ⓔ	
	<b>PFT Tribute and Pole Combo</b> p. 87-88	PFT_17_M	PFT_15_P	
		PFT_25_M	PFT_25_P	ⓔ
			PFT_32_P	ⓔ
		PFT_40_M	PFT_40_P	ⓔ
	<b>RY Roadway Cobrahead</b> p. 89	MHRY 50	MPRY 50	
		MHRY 70	MPRY 70	
		MHRY 100	MPRY 100	
		MHRY 150	MPRY 150	
		MHRY 175	MPRY 150	
			MPRY 200	ⓔ
		MHRY 250	MPRY 250	ⓔ
			MPRY 320	ⓔ
			MPRY 350	ⓔ
			MHRY 400	MPRY 400
	<b>RS Roadway Small Cobrahead</b> p. 90	MHRS 50	MPRS 50	
		MHRS 70	MPRS 70	
		MHRS 100	MPRS 100	
		MHRS 150	MPRS 150	
		MHRS 175	MPRS 150	
			MPRS 200	ⓔ
			MHRS 250	MPRS 250



# COOPER LIGHTING - LUMARK

	<b>Product</b>	<b>Probe Start Metal Halide (MH) Cat Logic Prefix String</b>	<b>Pulse Start Metal Halide (MP) Cross Reference</b>	<b>EISA Compliant</b>
	<b>RL</b> Roadway Large Cutoff Cobrahead p. 91	MHRL 150	MPRL 150	
		MHRL 175	MPRL 150	
		MHRL 250	MPRL 200	Ⓔ
			MPRL 250	Ⓔ
			MPRL 320	Ⓔ
			MPRL 350	Ⓔ
	MHRL 400	MPRL 400	Ⓔ	
	<b>RC</b> Roadway Small Cutoff Cobrahead p. 92	MHRC 50	MPRC 50	
		MHRC 70	MPRC 70	
		MHRC 100	MPRC 100	
		MHRC 150	MPRC 150	
		MHRC 175	MPRC 150	
		MHRC 250	MPRC 200	Ⓔ
	MHRC 250	MPRC 250	Ⓔ	
	<b>MC</b> High Mast p. 93	MHMC 400	MPMC 400	Ⓔ
	<b>MX</b> High Mast p. 94	MHMX 400	MPMX 400	Ⓔ
			MPMX 450	Ⓔ
	<b>SS</b> Steeler Worklight p. 96		MPSS-CW 320	Ⓔ
			MPSS-CW 350	Ⓔ
			MPSS-CW 400	Ⓔ
		MHCW40	MPCW32	Ⓔ
			MPCW40	Ⓔ

# COOPER LIGHTING - LUMARK

PRODUCT NO	PAGE NO.	PRODUCT NO	PAGE NO.	PRODUCT NO	PAGE NO.	PRODUCT NO	PAGE NO.
All	5	FP40	19	HPIC15	69	HPSG-GR16	23
AIL	8	FP408	19	HPIP-C	69	HPSG-GR21	23
AIM	7	FP408-NL	19	HPIP-CM	70	HPSS-25	9
AIS	6	FP40-NL	19	HPIP-S	71	HPSS-32	9
BS10	80	FP40Q	19	HPIP-T	67	HPSS-40	9
BS50	80	FP40Q-NL	19	HPIP-TM	68	HPSS-408	9
BS70	80	FS25	19	HPIP-W	66	HPSS-40Q	9
CFDP-PC22	35	FS258	19	HPIS10	71	HPSS-AV19	15
CFDP-SC22	35	FS258-NL	19	HPIS15	71	HPSS-EL18	14
CFFZ15	83	FS25-NL	19	HPIT10	67	HPSS-ER22	31
CFFZ15C	83	FS32	19	HPIT15	67	HPSS-PD16	27
CFIP-C	69	FS32-NL	19	HPIW10	66	HPSS-PD22	27
CFIP-CM	70	FS35	19	HPIW15	66	HPSS-PD25	27
CFIP-S	71	FS35-NL	19	HPLP	61	HPSS-SA15	9
CFIP-T	67	FS40	19	HPLX-DB22	33	HPSS-SA18	9
CFIP-TM	68	FS408	19	HPLX-DB25	33	HPSS-SA23	9
CFIP-W	66	FS408-NL	19	HPLX-PD22	33	HPTR	86
CFMM	58	FS40-NL	19	HPLX-PD25	33	HPTR2315	86
CFMP	81	FS40Q	19	HPM4	74	HPTR2325	86
CFMS	57	FS40Q-NL	19	HPMC	93	HPTR2340	86
CFMS	57	HPBE-2A	22	HPMM	58	HPUB-ENSA18	13
CFSF	55	HPBE-2P	22	HPMN	73	HPVF-AL	21
CFSF-K-42	55	HPBE-5A	22	HPMN15	73	HPVL-C	38
CFVR	80	HPBE-5P	22	HPMN70	73	HPVR	80
CFWM42	75	HPCL	51	HPMP	81	HPVS-C	37
CML-120/277V	39	HPCS	51	HPMX	94	HPVS-W	37
CML-208V	39	HPEB-ENAV19	18	HPNK	60	HPWC	77
CML-240V	39	HPEB-ENGR16	26	HPPD	53	HPWE	72
CML-347V	39	HPEB-ENGR21	26	HPPL	72	HPWL	72
CML-480V	39	HPEB-ENPD22	30	HPPR	52	HPWM35	75
FM25	19	HPEB-ENSA18	12	HPQD	50	HPWM50	75
FM258	19	HPEB-ENSA23	12	HPQF	49	HPWM70	75
FM258-NL	19	HPEL10	85	HPQP	48	HPWP	77
FM25-NL	19	HPEL15	85	HPRB-RA22	20	HPWR	59
FM32	19	HPEL70	85	HPRB-RA28	20	HPXB-DB22	34
FM32-NL	19	HPEP-R22	19	HPRB-RA28PL	20	HPXB-DB25	34
FM35	19	HPEP-R28	19	HPRB-RP22	20	HPXB-PD22	34
FM35-NL	19	HPFZ15	83	HPRB-RP28	20	HPXB-PD25	34
FM40	19	HPFZ15C	83	HPRB-RP28PL	20	HPXF25T	56
FM408	19	HPGB-GR16	24	HPRC	92	HPXF25T	56
FM408-NL	19	HPGB-GR21	24	HPRL	91	HPXL	58
FM40-NL	19	HPGP	78	HPRS	90	ICVC1G	36
FM40Q	19	HPGS	79	HPRY	89	ICVC2G	36
FM40Q-NL	19	HPHB-AV19	16	HPSE-ENAV19	17	ICVP1G	36
FP25	19	HPHB-ER22	32	HPSE-ENGR16	25	ICVP2G	36
FP258	19	HPHB-PD16	28	HPSE-ENGR21	25	ICVW1G	36
FP258-NL	19	HPHB-PD22	28	HPSE-ENPD22	29	ICVW2G	36
FP25-NL	19	HPHB-PD25	28	HPSE-ENSA18	11	INDD	97
FP32	19	HPHB-SA15	10	HPSE-ENSA23	11	INIR	97
FP32-NL	19	HPHB-SA18	10	HPSF	55	INSD	97
FP35	19	HPHB-SA23	10	HPSF35K	55	INVL-C	38
FP35-NL	19	HPIC10	69	HPSF35T	55	INVS-C	37

# COOPER LIGHTING - LUMARK

PRODUCT NO	PAGE NO.	PRODUCT NO	PAGE NO.	PRODUCT NO	PAGE NO.	PRODUCT NO	PAGE NO.
INVS-W	37	MHIP-TM	68	MHSS-40	9	MLRB-RA28PL	20
IRMD-A-24V	40	MHIP-W	66	MHSS-408	9	MLRB-RP22	20
IRMD-N-24V	40	MHLP	61	MHSS-40Q	9	MLRB-RP28	20
IRMD-W-24V	40	MHLX-DB22	33	MHSS-AV19	15	MLRB-RP28PL	20
IRMS	41	MHLX-DB25	33	MHSS-CW	96	MLSE-ENAV19	17
LC42C	82	MHLX-PD22	33	MHSS-EL18	14	MLSE-ENGR16	25
LC42G	82	MHLX-PD25	33	MHSS-ER22	31	MLSE-ENGR21	25
LP10C	82	MHM4	74	MHSS-PD16	27	MLSE-ENPD22	29
LP10G	82	MHMC	93	MHSS-PD22	27	MLSE-ENSA18	11
LP70C	82	MHMM	58	MHSS-PD25	27	MLSE-ENSA23	11
LP70G	82	MHMS	57	MHSS-SA15	9	MLSG-GR16	23
LQL1500	54	MHMX	94	MHSS-SA18	9	MLSG-GR21	23
LS10C	82	MHMK	60	MHSS-SA23	9	MLSS-AV19	15
LS10G	82	MHNKS1K	60	MHTR	86	MLSS-EL18	14
LS15C	82	MHNKS25	60	MHUB-ENSA18	13	MLSS-ER22	31
LS15G	82	MHNKS40	60	MHV-AL	21	MLSS-PD16	27
LS50C	82	MHPD	53	MHWC	77	MLSS-PD22	27
LS50G	82	MHPL	72	MHWE	72	MLSS-PD25	27
LS70C	82	MHPR	52	MHWL	72	MLSS-SA15	9
LS70G	82	MHQC	47	MHWP	77	MLSS-SA18	9
MHAS	63	MHQD	50	MHWR	59	MLSS-SA23	9
MHBE-2A	22	MHQF	49	MHXB-DB22	34	MLUB-ENSA18	13
MHBE-2P	22	MHQP	48	MHXB-DB25	34	MLXB-DB22	34
MHBE-5A	22	MHRB-RA22	20	MHXB-PD22	34	MLXB-DB25	34
MHBE-5P	22	MHRB-RA28	20	MHXB-PD25	34	MLXB-PD22	34
MHCL	51	MHRB-RA28PL	20	MHXF25T	56	MLXB-PD25	34
MHCS	51	MHRB-RP22	20	MHXF40T	56	MM/4V	64
MHCW40	96	MHRB-RP28	20	MHXL	58	MM/BD	64
MHEB-ENAV19	18	MHRB-RP28PL	20	MLEB-ENAV19	18	MM/SMT	64
MHEB-ENGR16	26	MHRC	92	MLEB-ENGR16	26	MM/ST	64
MHEB-ENGR21	26	MHRL	91	MLEB-ENGR21	26	MM/TMT	64
MHEB-ENPD22	30	MHRS	90	MLEB-ENPD22	30	MM/TV	64
MHEB-ENSA18	12	MHRY	89	MLEB-ENSA18	12	MM/VS	64
MHEB-ENSA23	12	MHSE-ENAV19	17	MLEB-ENSA23	12	MM/WG	64
MHEP-R22	19	MHSE-ENGR16	25	MLEP-R22	19	MM/WMT	64
MHEP-R28	19	MHSE-ENGR21	25	MLEP-R28	19	MPAS	63
MHGB-GR16	24	MHSE-ENPD22	29	MLGB-GR16	24	MPBE-2A	22
MHGB-GR21	24	MHSE-ENSA18	11	MLGB-GR21	24	MPBE-2P	22
MHGP	78	MHSE-ENSA23	11	MLHB-AV19	16	MPBE-5A	22
MHGS	79	MHSF	55	MLHB-ER22	32	MPBE-5P	22
MHHB-AV19	16	MHSF10K	55	MLHB-PD16	28	MPCL	51
MHHB-ER22	32	MHSF10T	55	MLHB-PD22	28	MPCS	51
MHHB-PD16	28	MHSF15K	55	MLHB-PD25	28	MPEB-ENAV19	18
MHHB-PD22	28	MHSF15T	55	MLHB-SA15	10	MPEB-ENGR16	26
MHHB-PD25	28	MHSF50K	55	MLHB-SA18	10	MPEB-ENGR21	26
MHHB-SA15	10	MHSF50T	55	MLHB-SA23	10	MPEB-ENPD22	30
MHHB-SA18	10	MHSF70K	55	MLLX-DB22	33	MPEB-ENSA18	12
MHHB-SA23	10	MHSF70T	55	MLLX-DB25	33	MPEB-ENSA23	12
MHIP-C	69	MHSG-GR16	23	MLLX-PD22	33	MPEL10	85
MHIP-CM	70	MHSG-GR21	23	MLLX-PD25	33	MPEL15	85
MHIP-S	71	MHSS-25	9	MLRB-RA22	20	MPEL70	85
MHIP-T	67	MHSS-32	9	MLRB-RA28	20	MPEP-R22	19

# COOPER LIGHTING - LUMARK

PRODUCT NO	PAGE NO.	PRODUCT NO	PAGE NO.	PRODUCT NO	PAGE NO.	PRODUCT NO	PAGE NO.
MPEP-R28	1	MPNKS32	60	MPVS-W	37	QZ5L	54
MPFZ15	83	MPNKS40	60	MPWC	77	RAB	65
MPFZ15C	83	MPPD	53	MPWE	72	RBC	65
MPGB-GR16	24	MPPL	72	MPWL	72	S2C2WP	65
MPGB-GR21	24	MPPR	52	MPWM10G	76	S3C3WP	65
MPGP	78	MPQC	47	MPWM50G	76	S4C4WP	65
MPGS	79	MPQD	50	MPWM70G	76	SAV	65
MPHB-AV19	16	MPQF	49	MPWP	77	SPK	65
MPHB-ER22	32	MPQP	48	MPWR	59	SV/NK	65
MPHB-PD16	28	MPRB-RA22	20	MPXB-DB22	34	SV1/NK	65
MPHB-PD22	28	MPRB-RA28	20	MPXB-DB25	34	TV/NK	65
MPHB-PD25	28	MPRB-RA28PL	20	MPXB-PD22	34	TV/WR	65
MPHB-SA15	10	MPRB-RP22	20	MPXB-PD25	34	TYS	65
MPHB-SA18	10	MPRB-RP28	20	MPXF25T	56	UB	84
MPHB-SA23	10	MPRB-RP28PL	20	MPXF32T	56	VG/WR	65
MPIC10	69	MPRC	92	MPXF35T	56	VS/NK	65
MPIC15	69	MPRL	91	MPXF40T	56	VS/NK/1000	65
MPIP-C	69	MPRS	90	MS/4V	64	VS/WL	84
MPIP-CM	70	MPLY	89	MS/BD	64	WG/NK	65
MPIP-S	71	MPSE-ENAV19	17	MS/JP	64	WG/WL	84
MPIP-T	67	MPSE-ENGR16	25	MS/SF	64	WG/WR	65
MPIP-TM	68	MPSE-ENGR21	25	MS/TMA	64	WP15	59
MPIP-W	66	MPSE-ENPD22	29	MS/TV	64	WP25	59
MPIS10	71	MPSE-ENSA18	11	MS/VS	64	WP32	59
MPIS15	71	MPSE-ENSA23	11	MS/WG	64	WP40	59
MPIT10	67	MPSF	55	MS/WM	64	WS15	59
MPIT15	67	MPSG-GR16	23	MS/WMA	64	WS25	59
MPITM25	68	MPSG-GR21	23	MS10	81	WS40	59
MPITM32	68	MPSS-25	9	MS240	95	XP15	59
MPITM40	68	MPSS-32	9	MS240W	95	XP25	59
MPIW10	66	MPSS-40	9	MS245R	95	XP32	59
MPIW15	66	MPSS-408	9	MS245RW	95	XP40	59
MPLP	61	MPSS-40Q	9	MS35	95	XS15	59
MPLX-DB22	33	MPSS-AV19	15	MS37	95	XS25	59
MPLX-DB25	33	MPSS-EL18	14	MS50	81	XS40	59
MPLX-PD22	33	MPSS-ER22	31	MS70	81		
MPLX-PD25	33	MPSS-PD16	27	PCS	84		
MPM4	74	MPSS-PD22	27	PFT	87		
MPMC	93	MPSS-PD25	27	PLVL-C	38		
MPMM	58	MPSS-SA15	9	PLVS-C	37		
MPMM25	58	MPSS-SA18	9	PLVS-W	37		
MPMM32	58	MPSS-SA23	9	PP10	72		
MPMM40	58	MPTR	86	PP15	72		
MPMN	73	MPTR2315	86	PP25	72		
MPMP	81	MPTR2325	86	PP32	72		
MPMS	57	MPTR2332	86	PP40	72		
MPMS10	57	MPTR2340	86	PS10	72		
MPMS15	57	MPUB-ENSA18	13	PS15	72		
MPMS70	57	MPVF-AL	21	PS25	72		
MPMX	94	MPVL-C	38	PS32	72		
MPNK	60	MPVR	80	PS40	72		
MPNKS25	60	MPVS-C	37	QZ3L	54		

A series of horizontal dotted lines for taking notes.

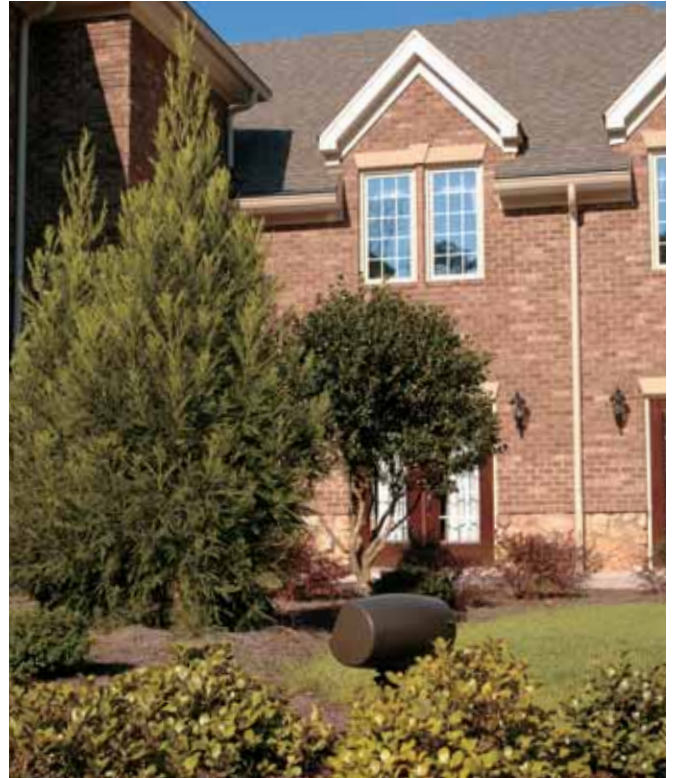
# NOTES

A series of horizontal dotted lines providing space for notes.

*The Source for Lighting Solutions*



**Avid Series** [AII/AIS/AIM/AIL]



**Impact Flood Series** [MS + MM]



**Impact Wall Series** [IP]



**Tribute** [TR]

**Cooper Lighting, LLC.**

Customer First Center  
1121 Highway 74 South  
Peachtree City, GA 30269

P: 770-486-4800  
F: 770-486-4801

[www.cooperlighting.com](http://www.cooperlighting.com)

**International Sales, USA**

Cooper Lighting, LLC.  
1121 Highway 74 South  
Peachtree City, GA 30269

P: 770-486-4800  
F: 770-486-4801

**Canada**

Cooper Lighting, LLC.  
5925 McLaughlin Road  
Mississauga, Ontario L5R 1B8

P: 905-507-4000  
F: 905-568-7049

**The Cooper Lighting Family**

Halo  
Metalux  
Lumark  
Sure-Lites  
Neo-Ray  
Corelite  
Portfolio  
Iris  
Shaper  
io  
Lumière  
Invue  
McGraw-Edison  
Streetworks  
Fail-Safe  
PDS  
MWS  
DLS  
RSA  
Ametrix

**Domestic Facilities**

Cranbury, New Jersey  
Elk Grove Village, Illinois  
Irving, Texas  
Ontario, California  
Peachtree City, Georgia

**Canadian Facilities**

Calgary, Alberta T2E 7V9  
Mississauga, Ontario L5R 1B8

Cooper Lighting and Lumark are valuable trademarks of Cooper Industries in the United States and other countries. You are not permitted to use the Cooper Trademarks without the prior written consent of Cooper Industries.

**Cooper Industries, Ltd.**  
600 Travis, Ste. 5600  
Houston, TX 77002-1001  
P: 713-209-8400  
[www.cooperindustries.com](http://www.cooperindustries.com)